

Form K5772  
Supersedes K5640

# ILLUSTRATED LIST OF PARTS

FOR

## CLASS 31K MACHINES

Nos. 31K15, 31K17, 31K20, 31K22,  
31K32, 31K45 and 31K48



\*\* A TRADE MARK OF

THE SINGER MANUFACTURING CO.

From the library of: Superior Sewing Machine & Supply LLC





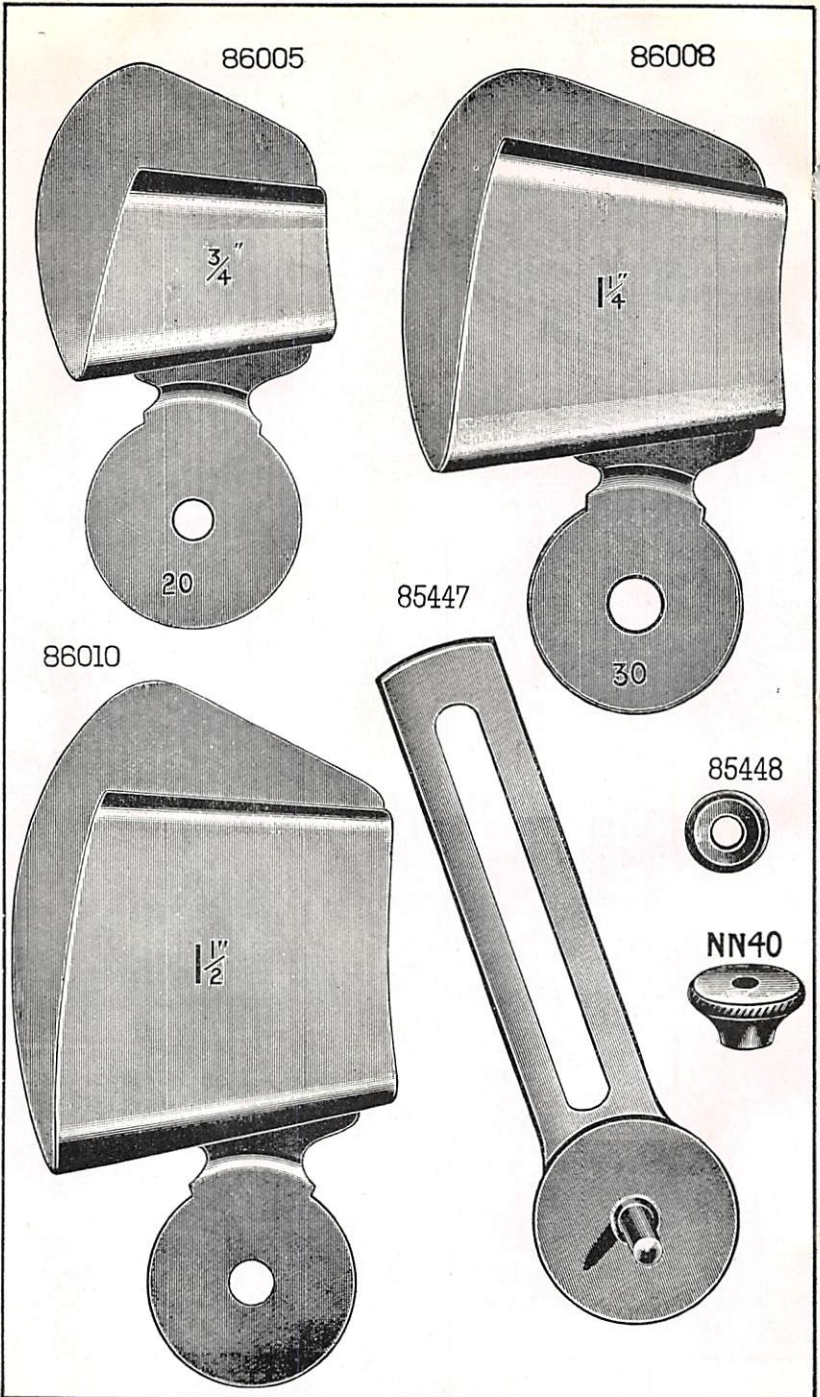
K 3489

No. 31K15 Machine

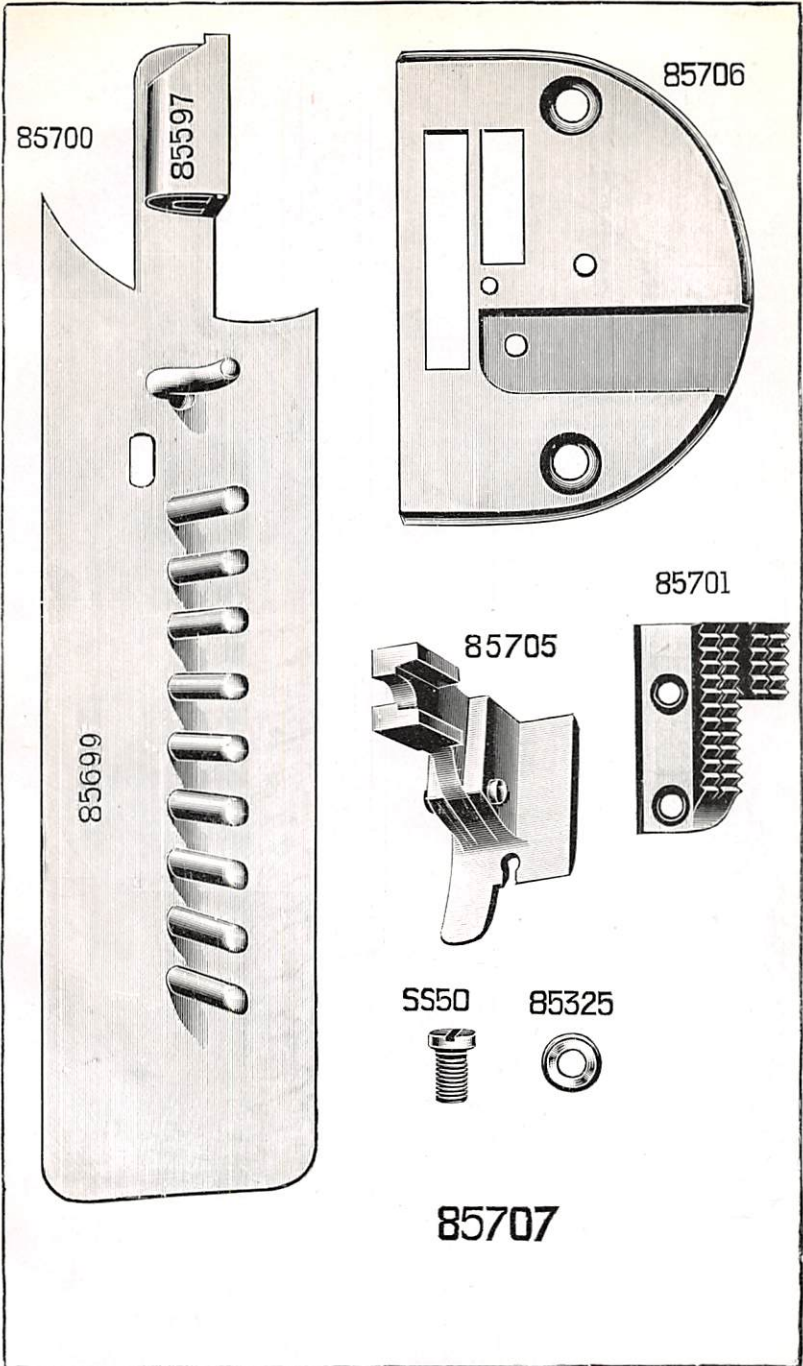


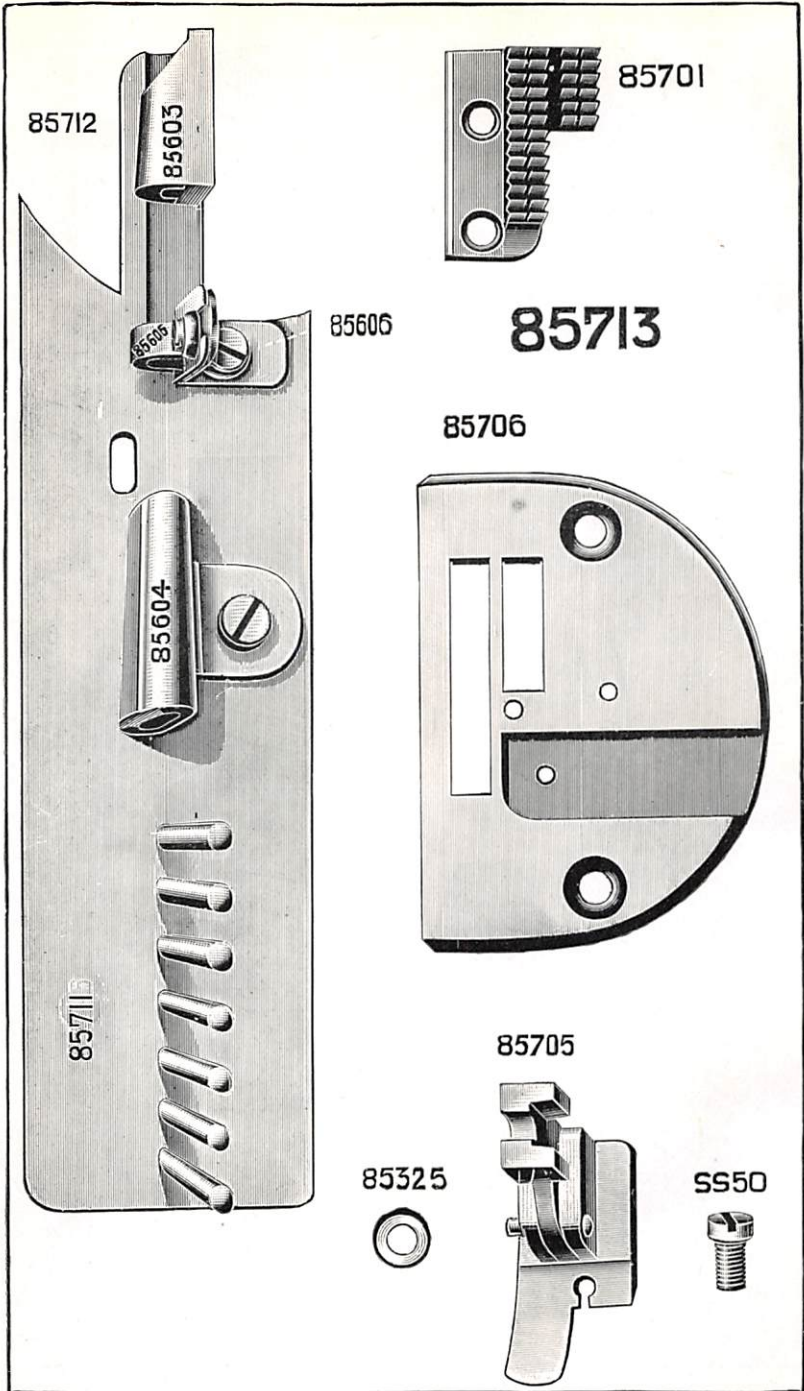
K 3698

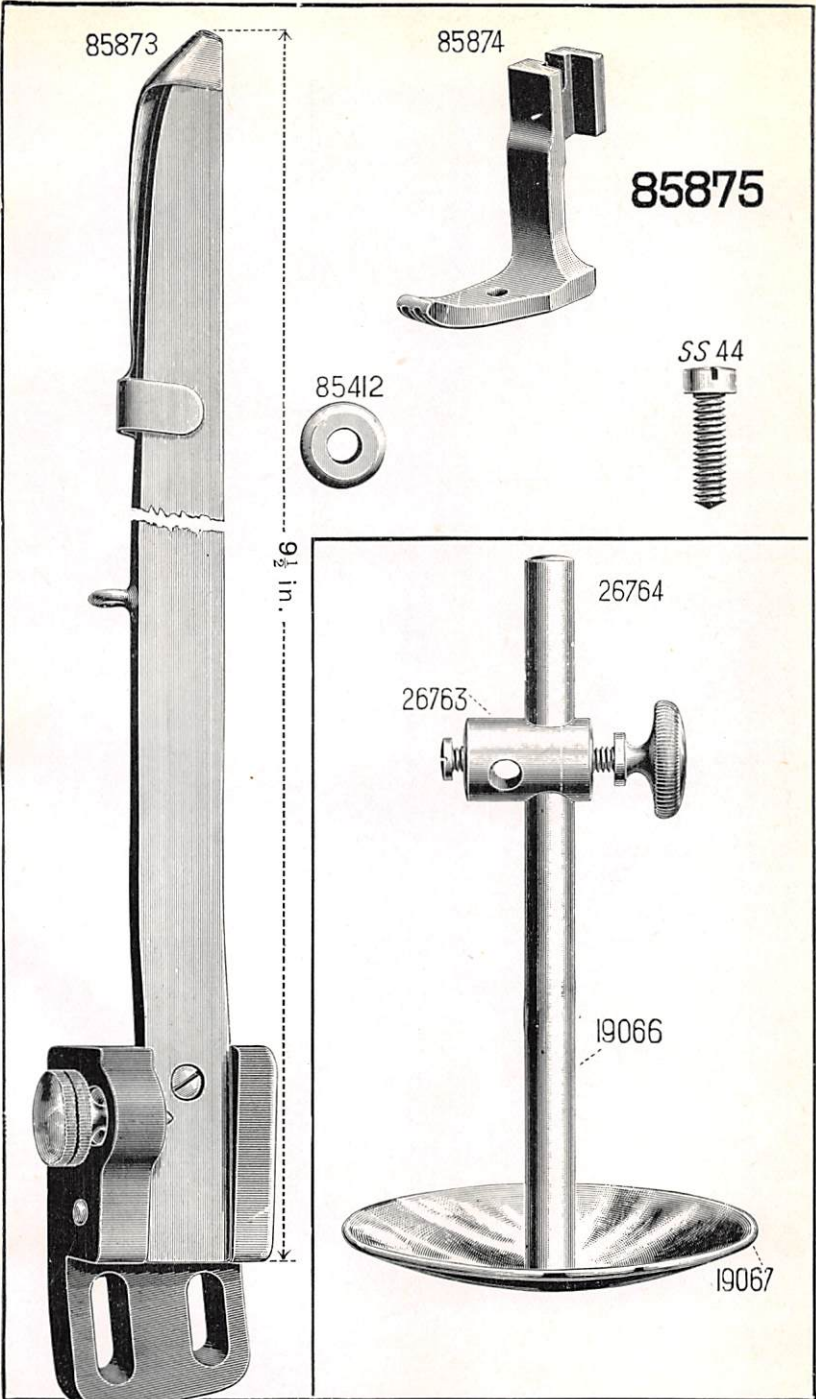
No. 31K48 Machine





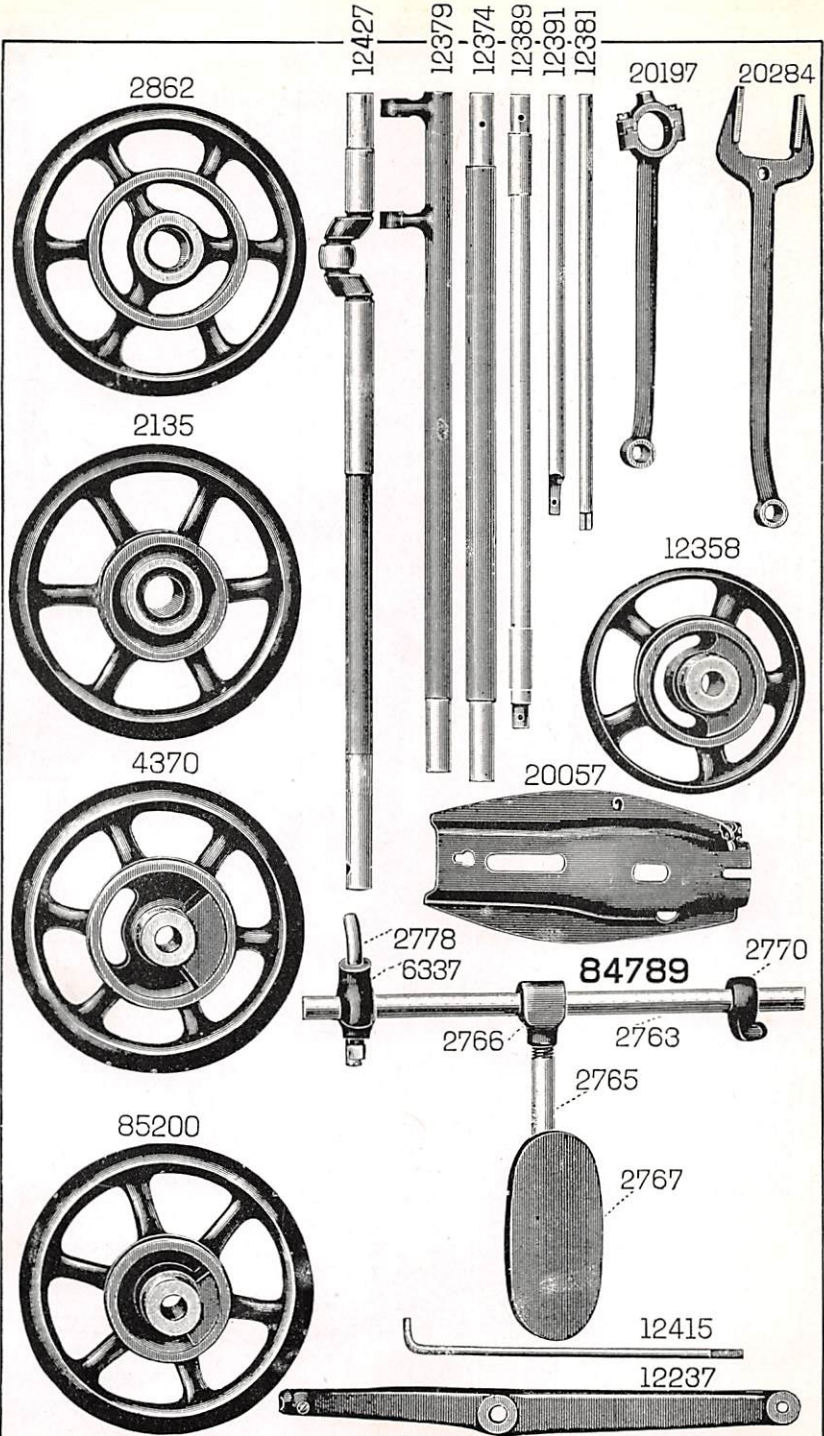


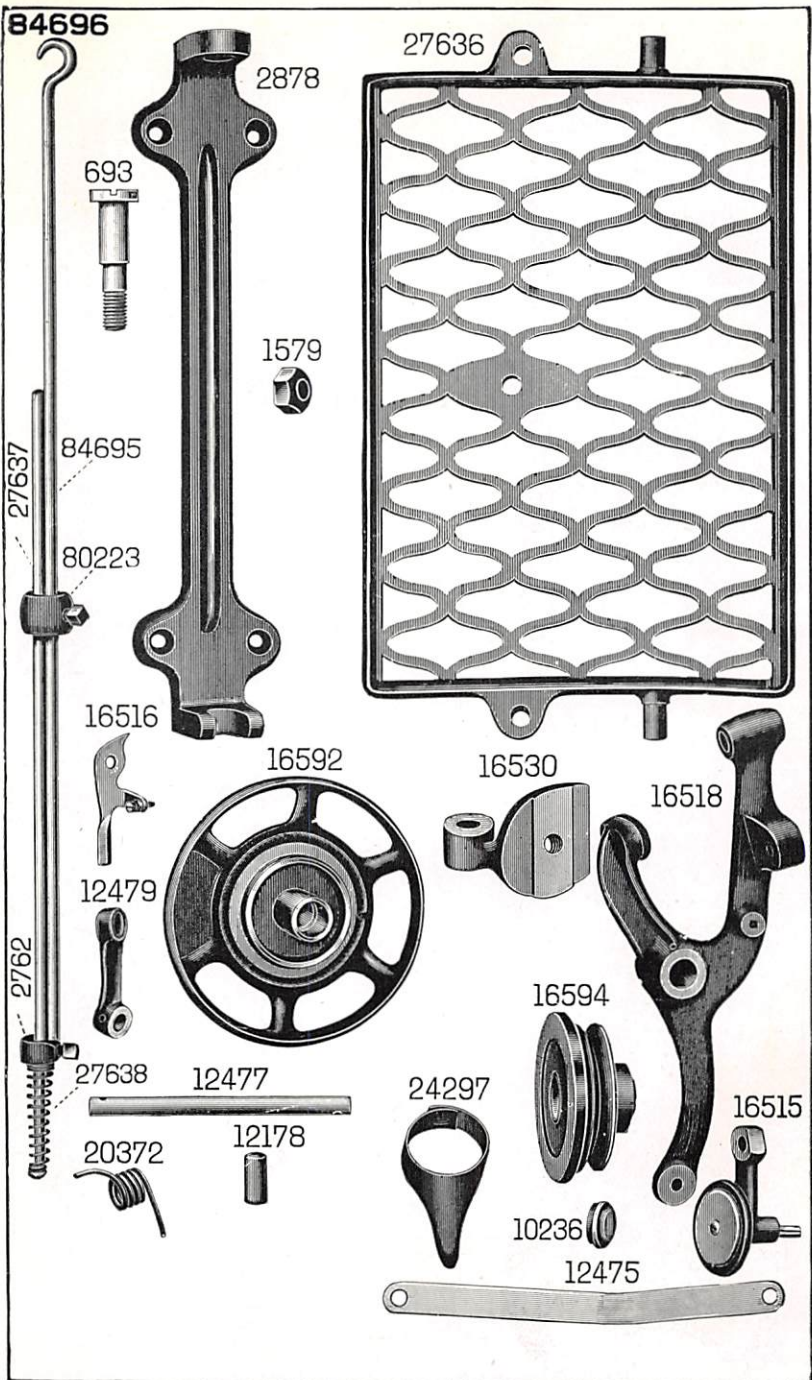


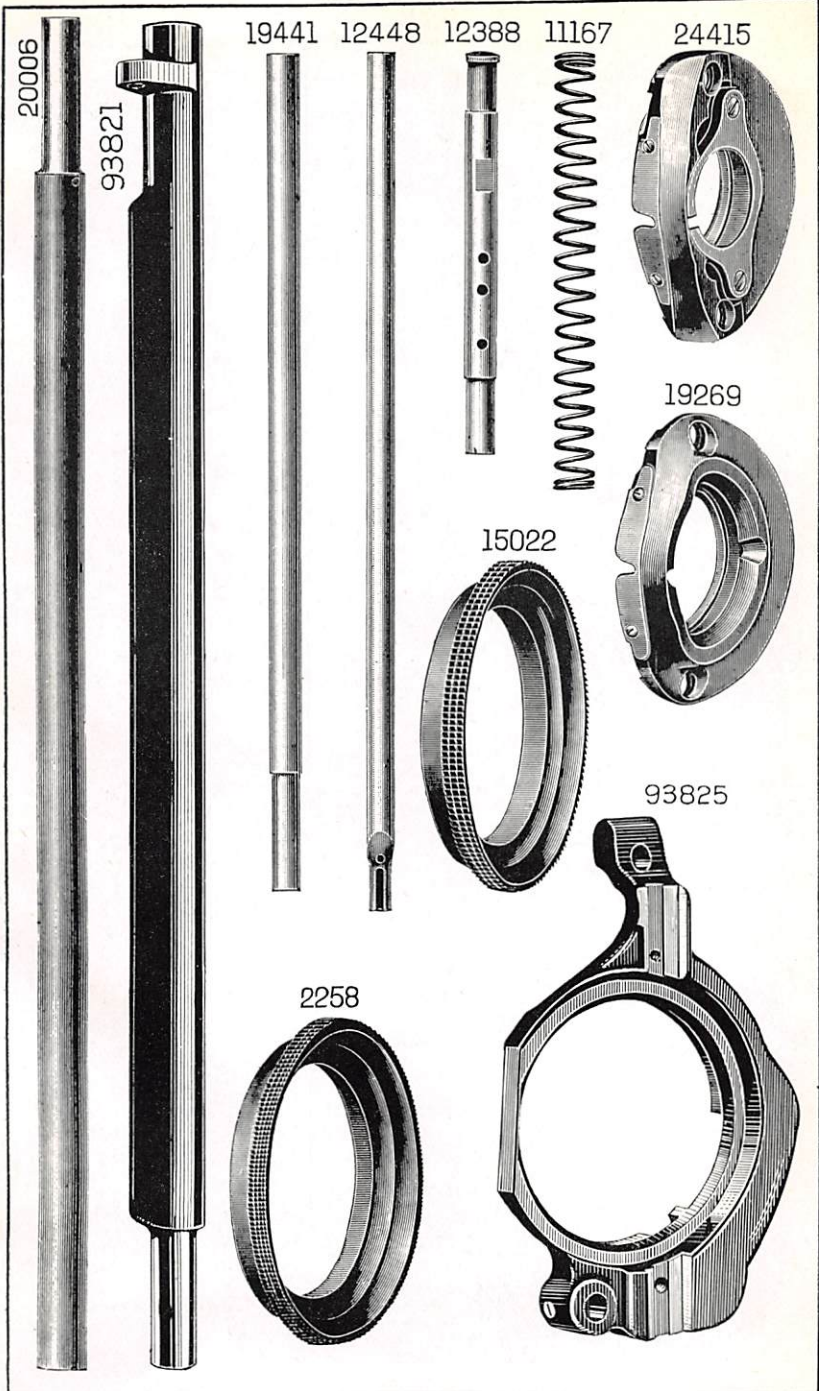








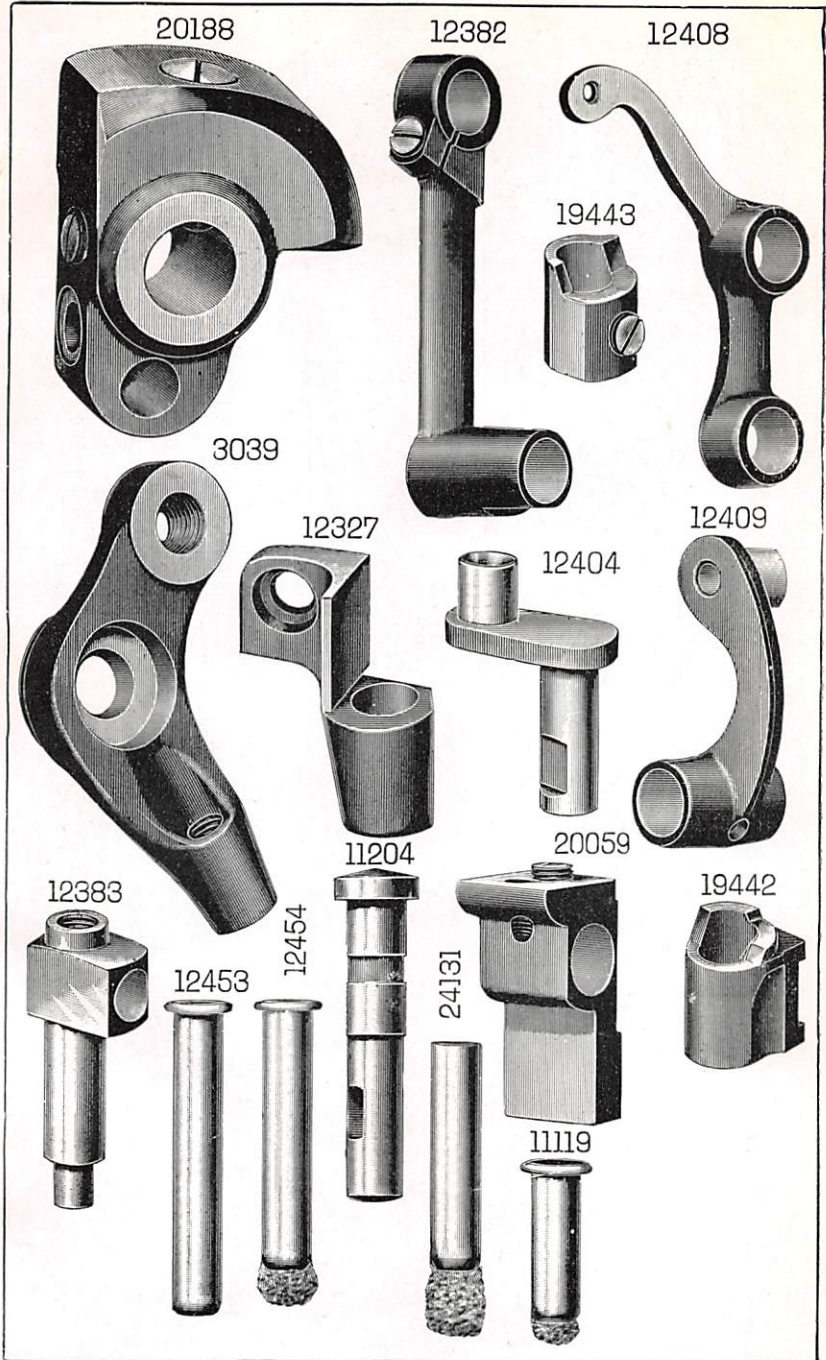


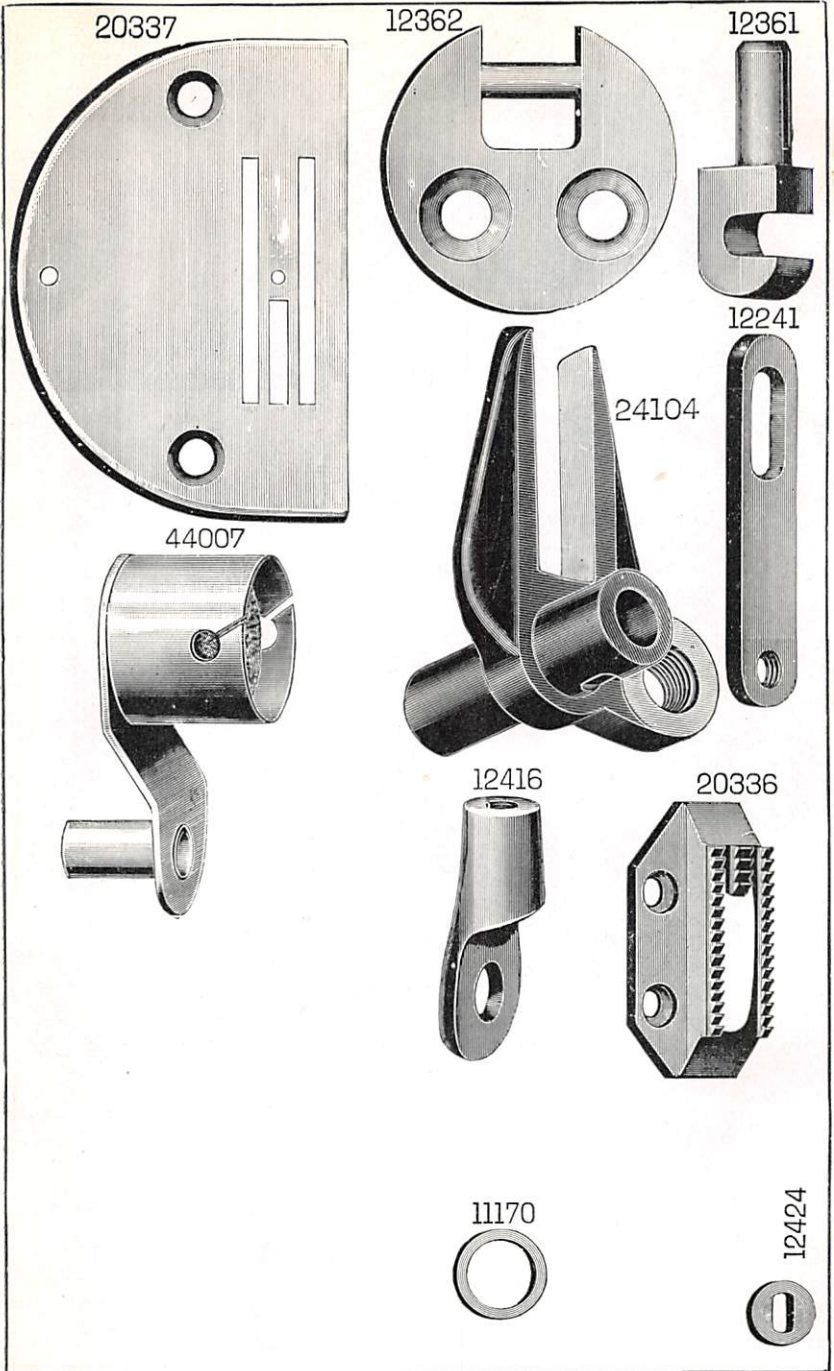


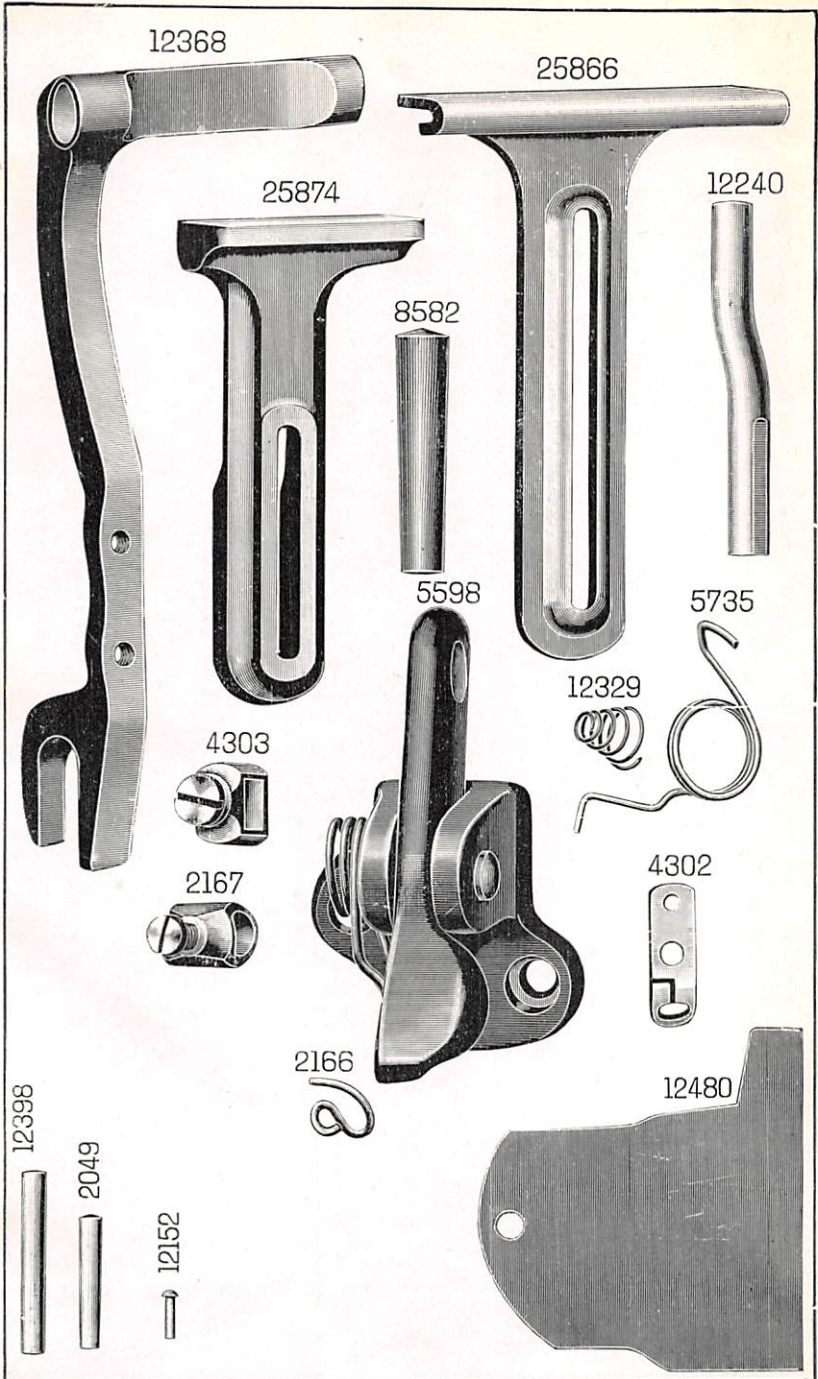




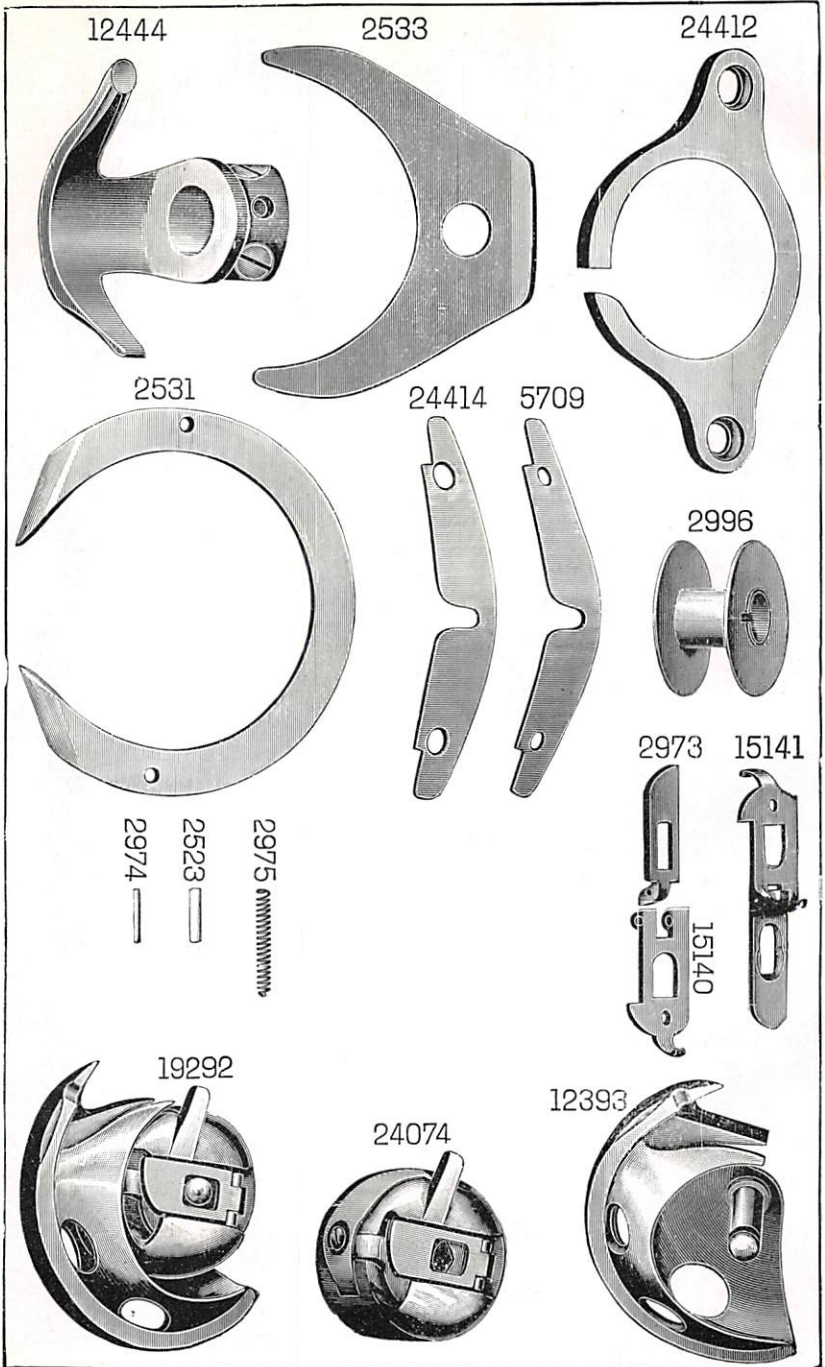




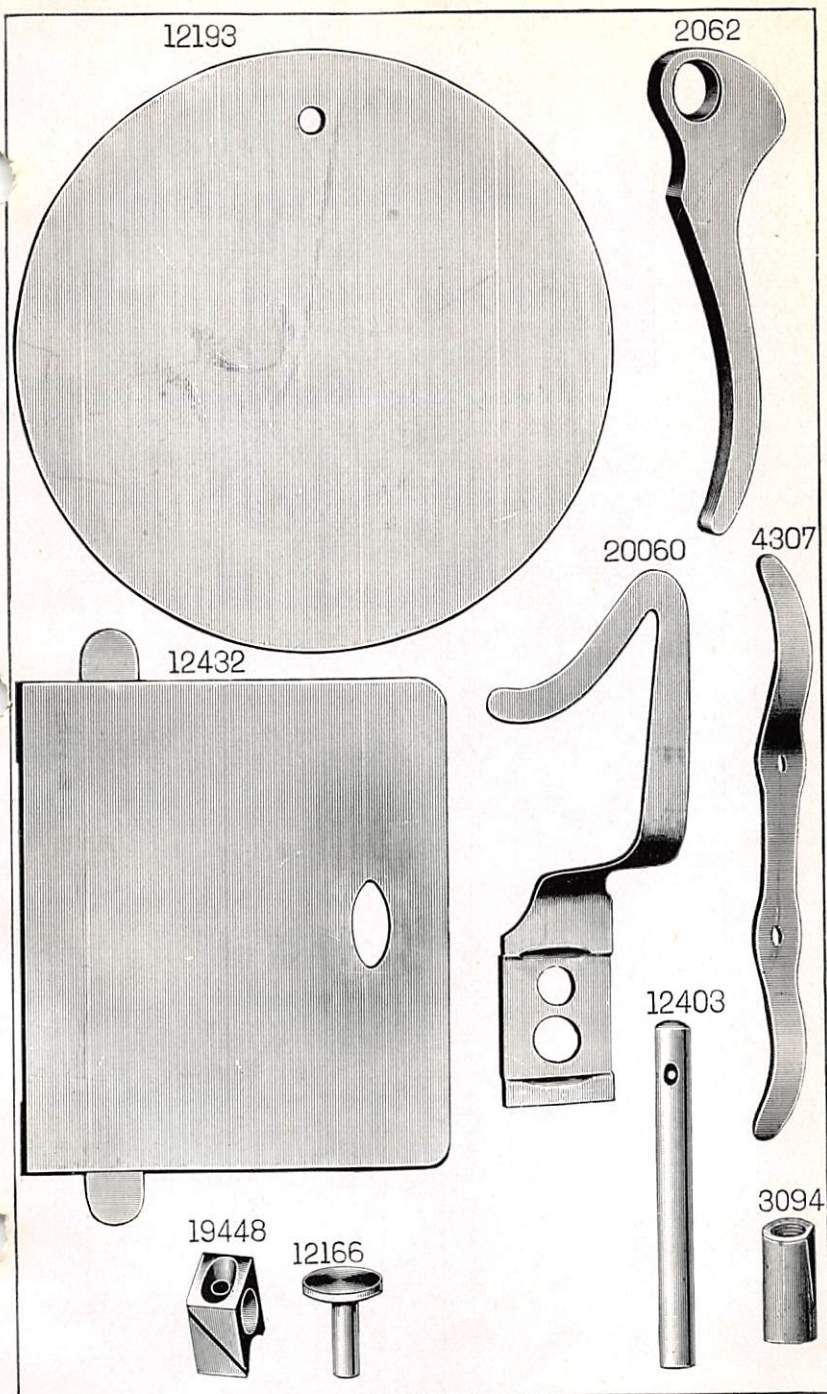


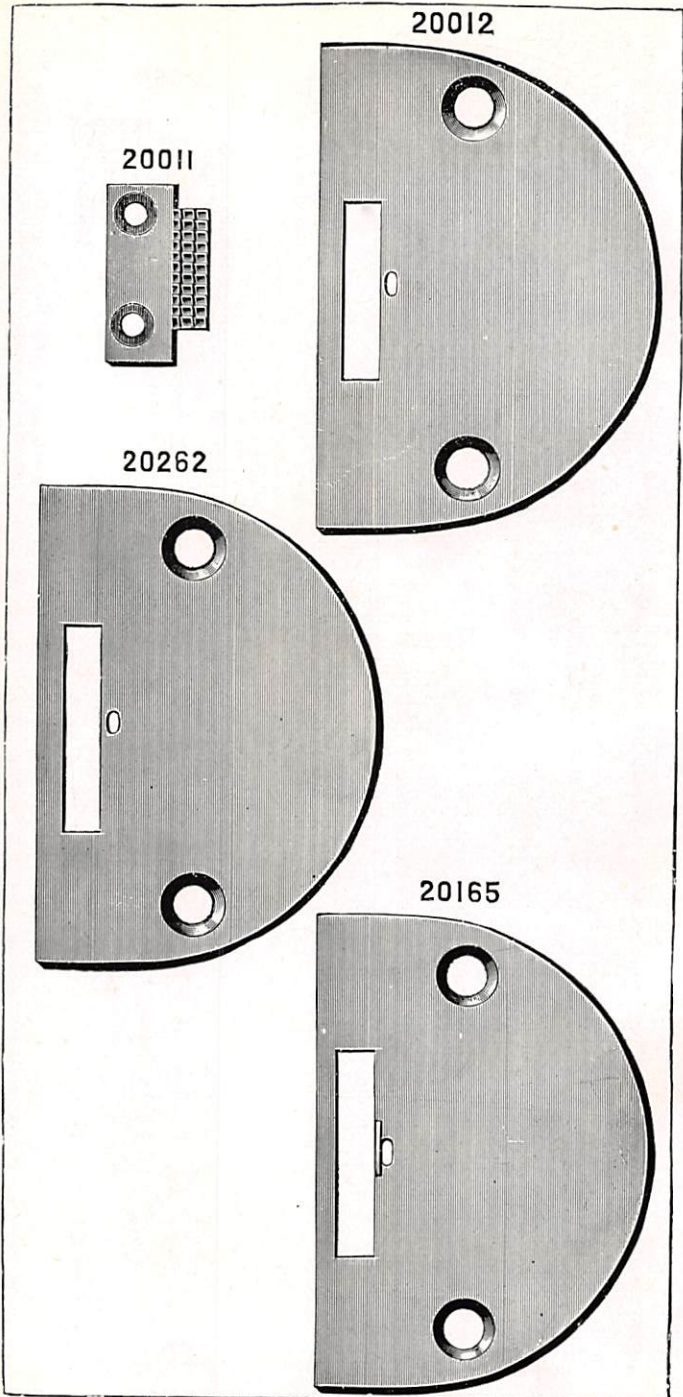


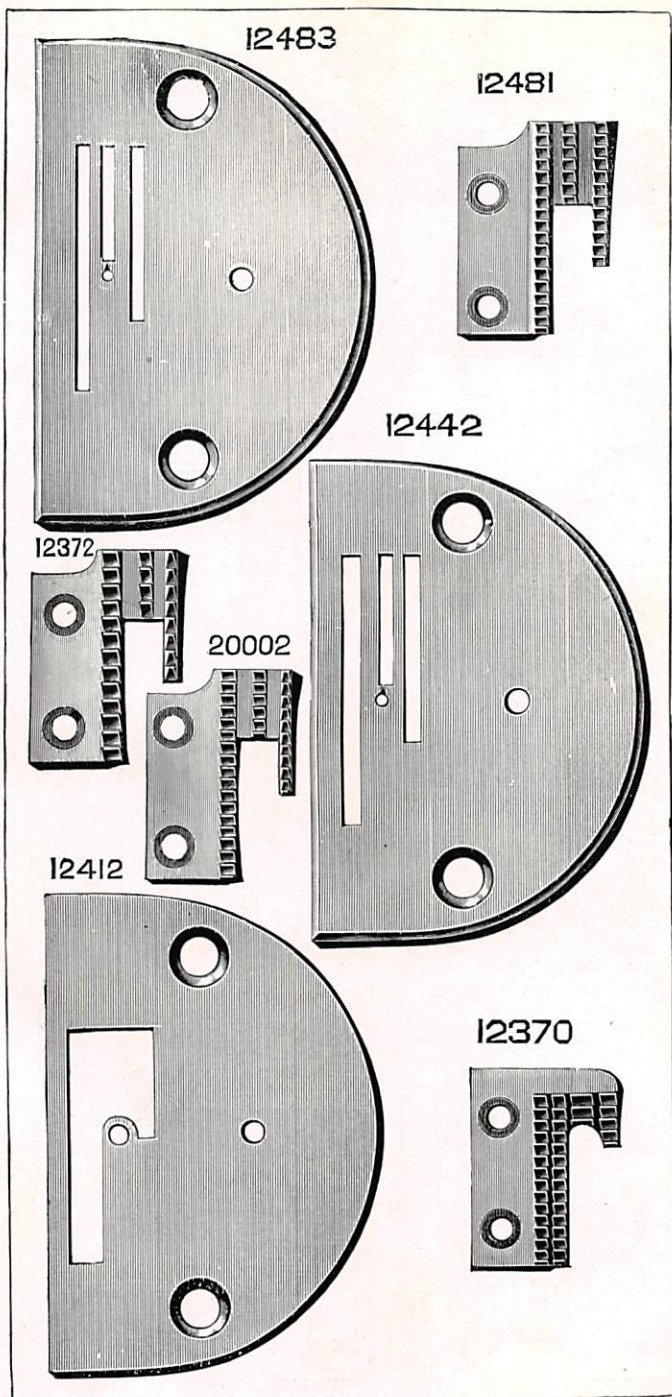




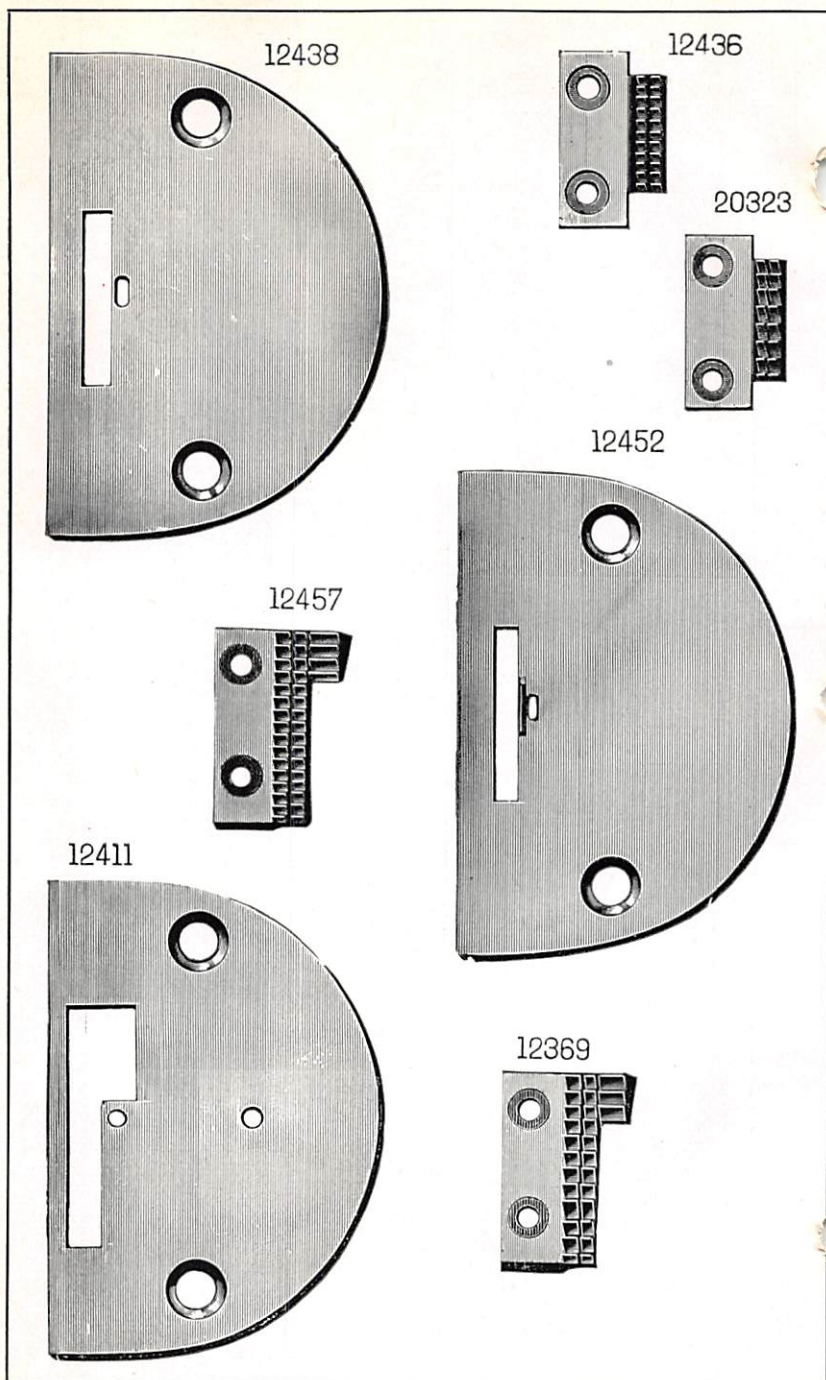










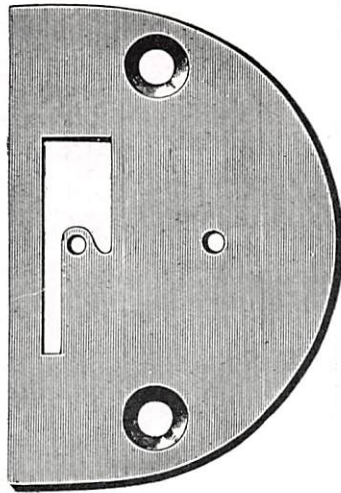




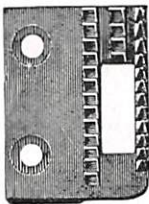
12425



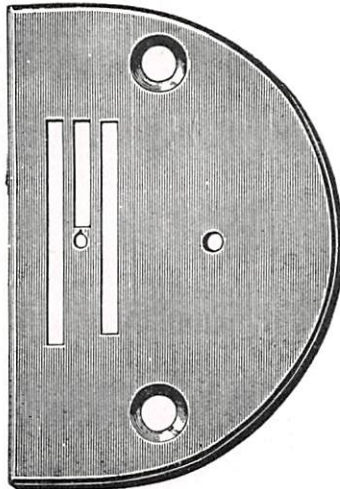
12426

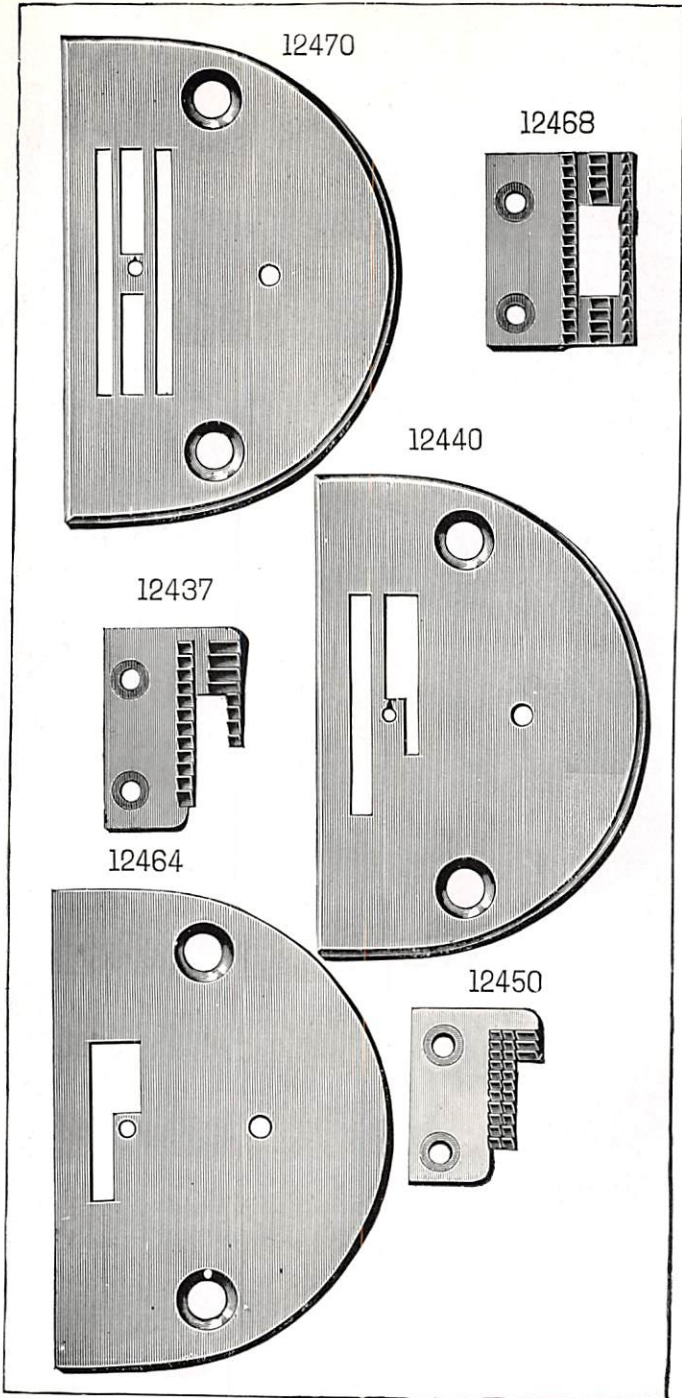


12455

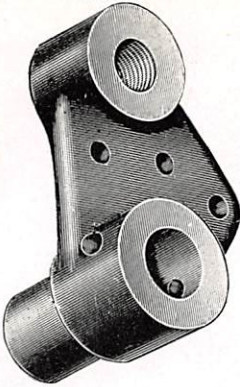


12456





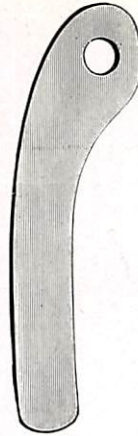
20371



9082



12170



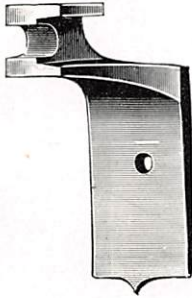
2269



27303



12406



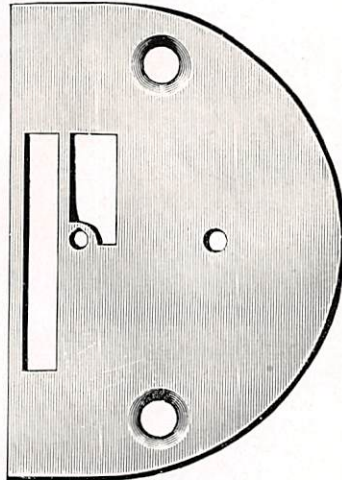
12467



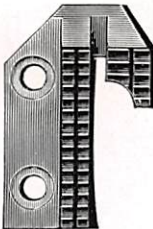
12474



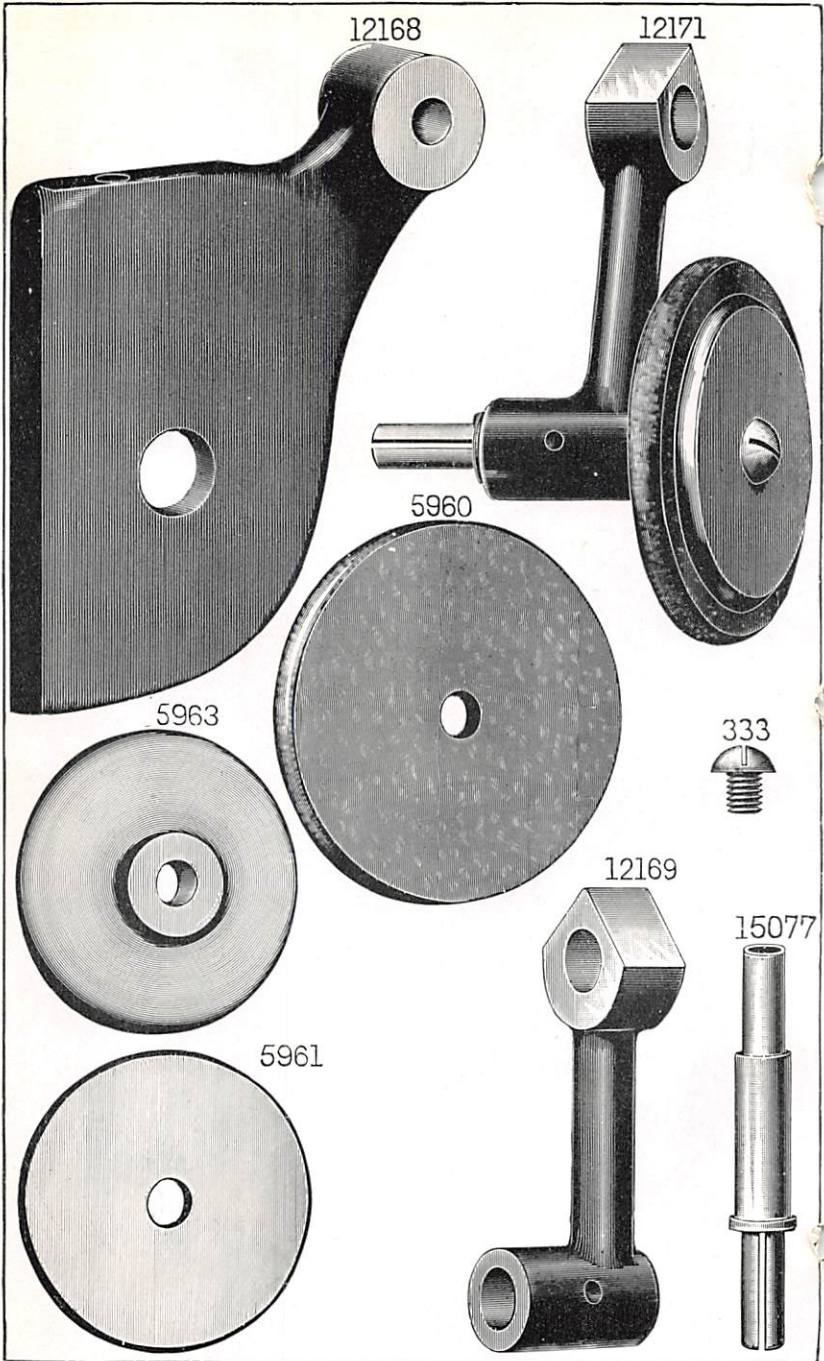
44137



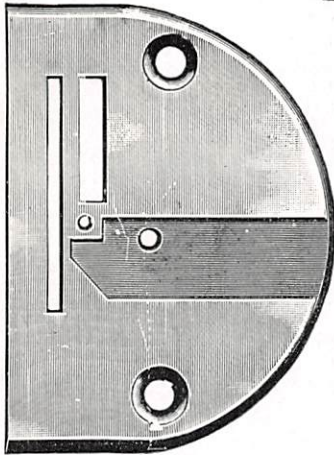
44136





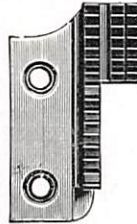


85697



85698

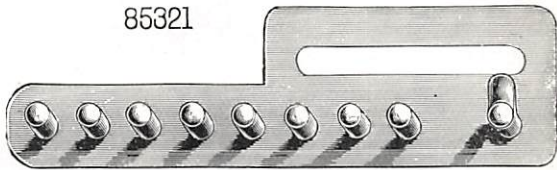
85693



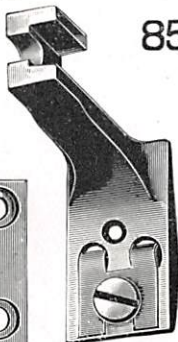
85696



85321

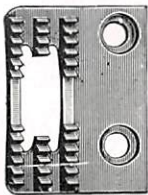


85884

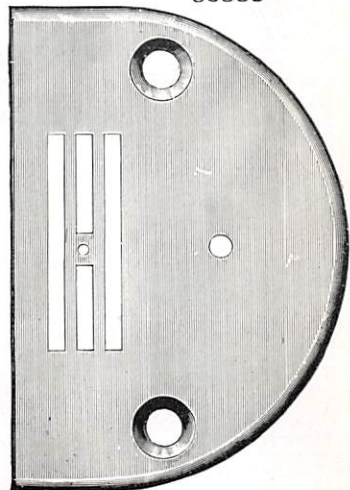


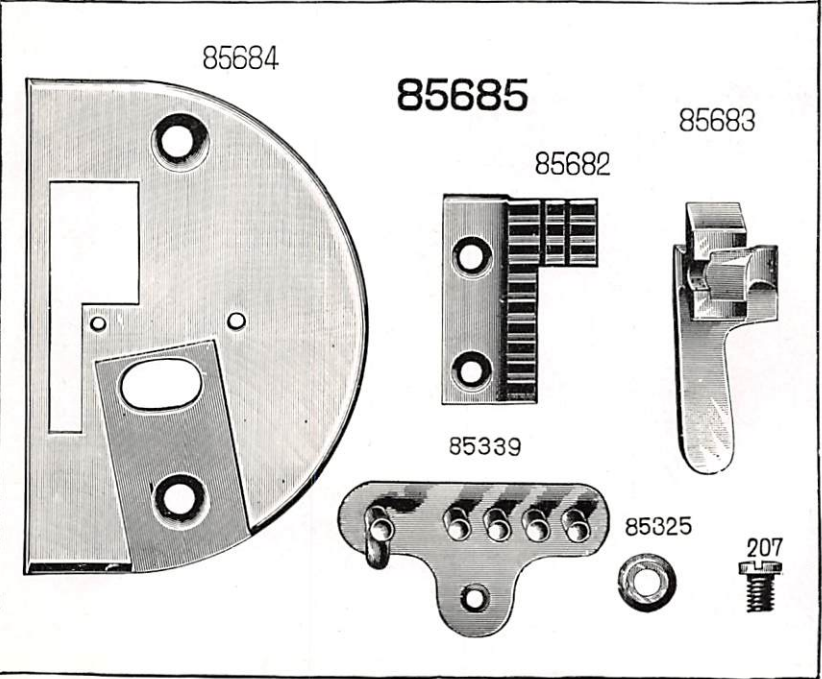
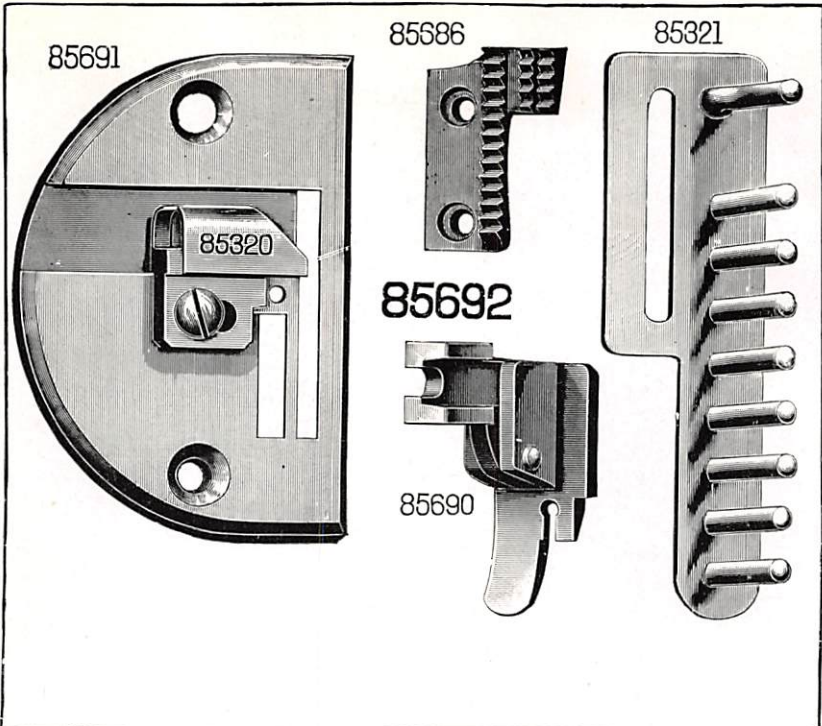
85886

85882

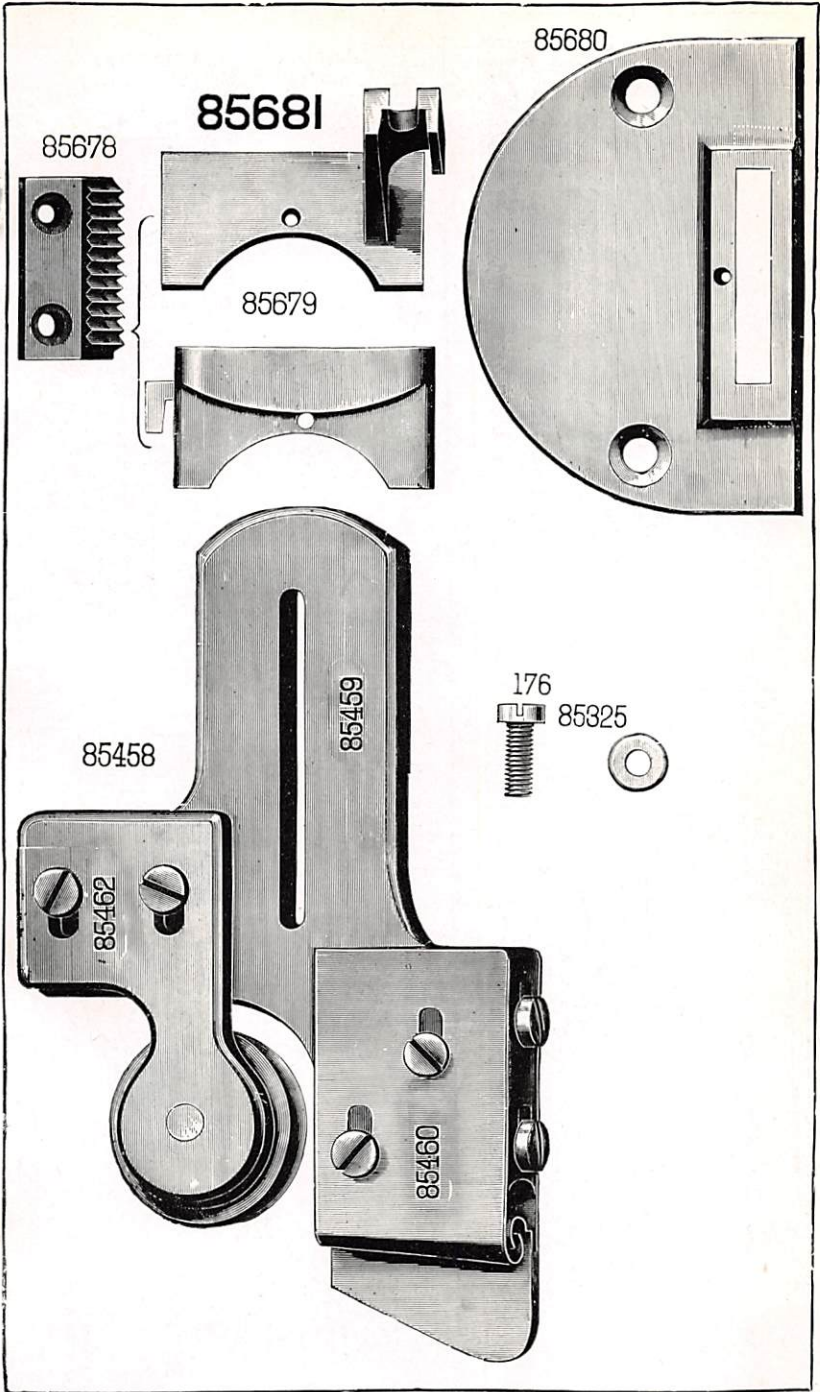


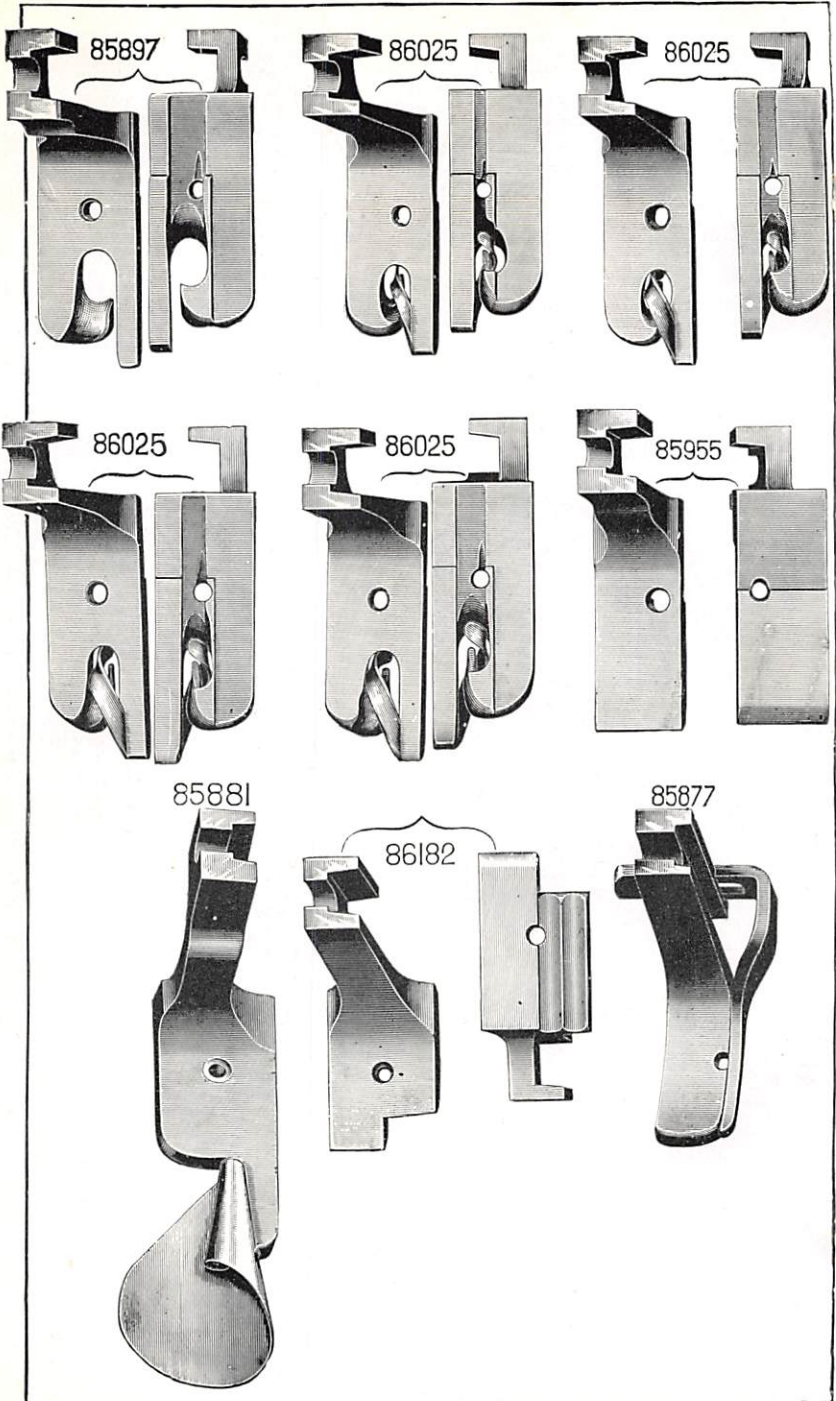
85885

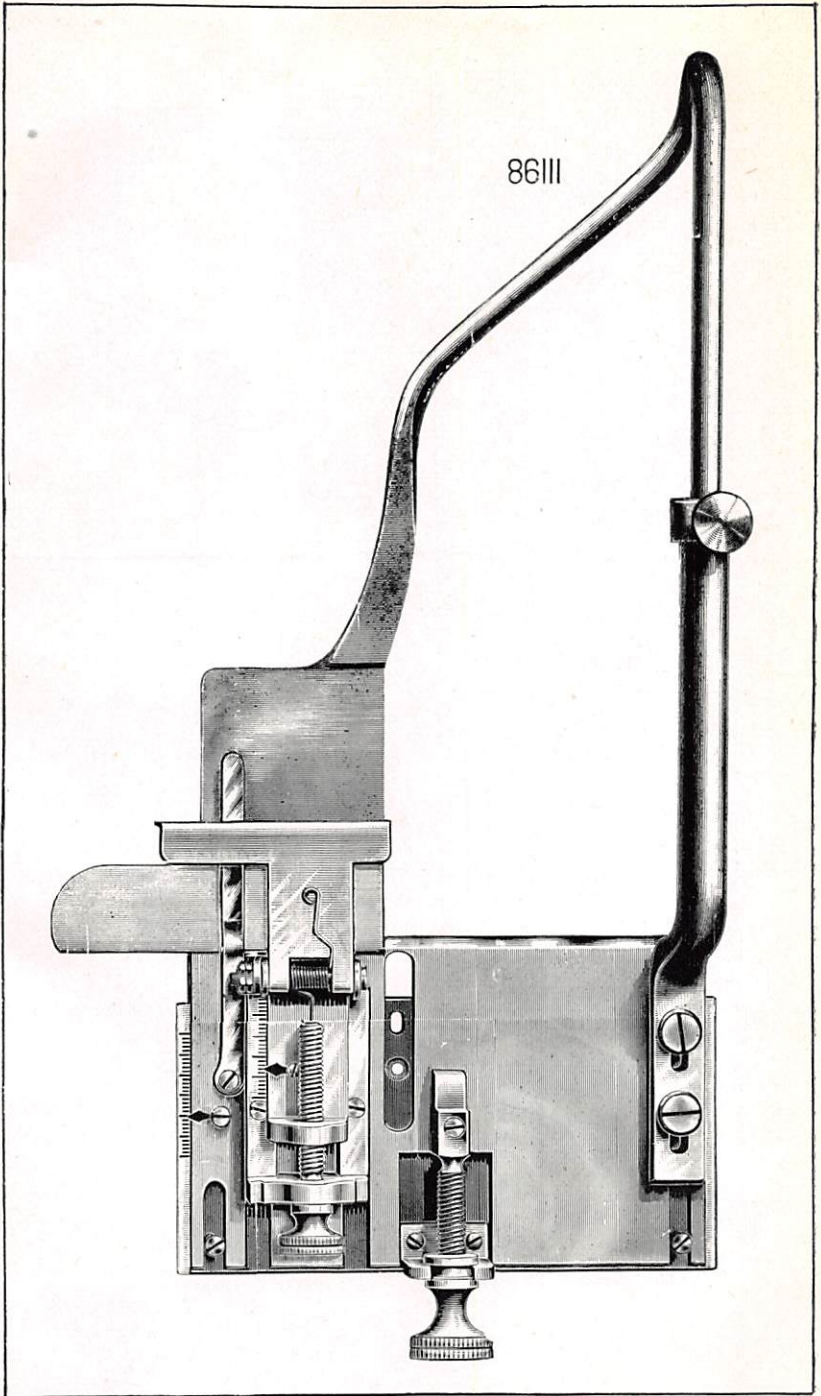




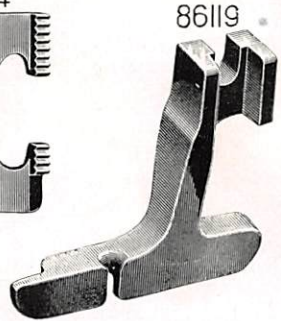
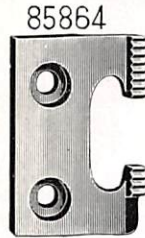
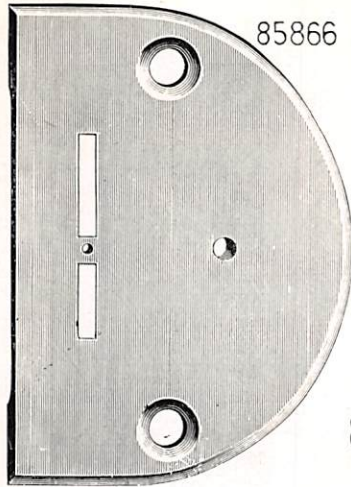




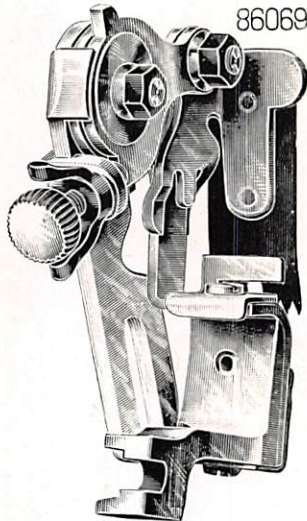


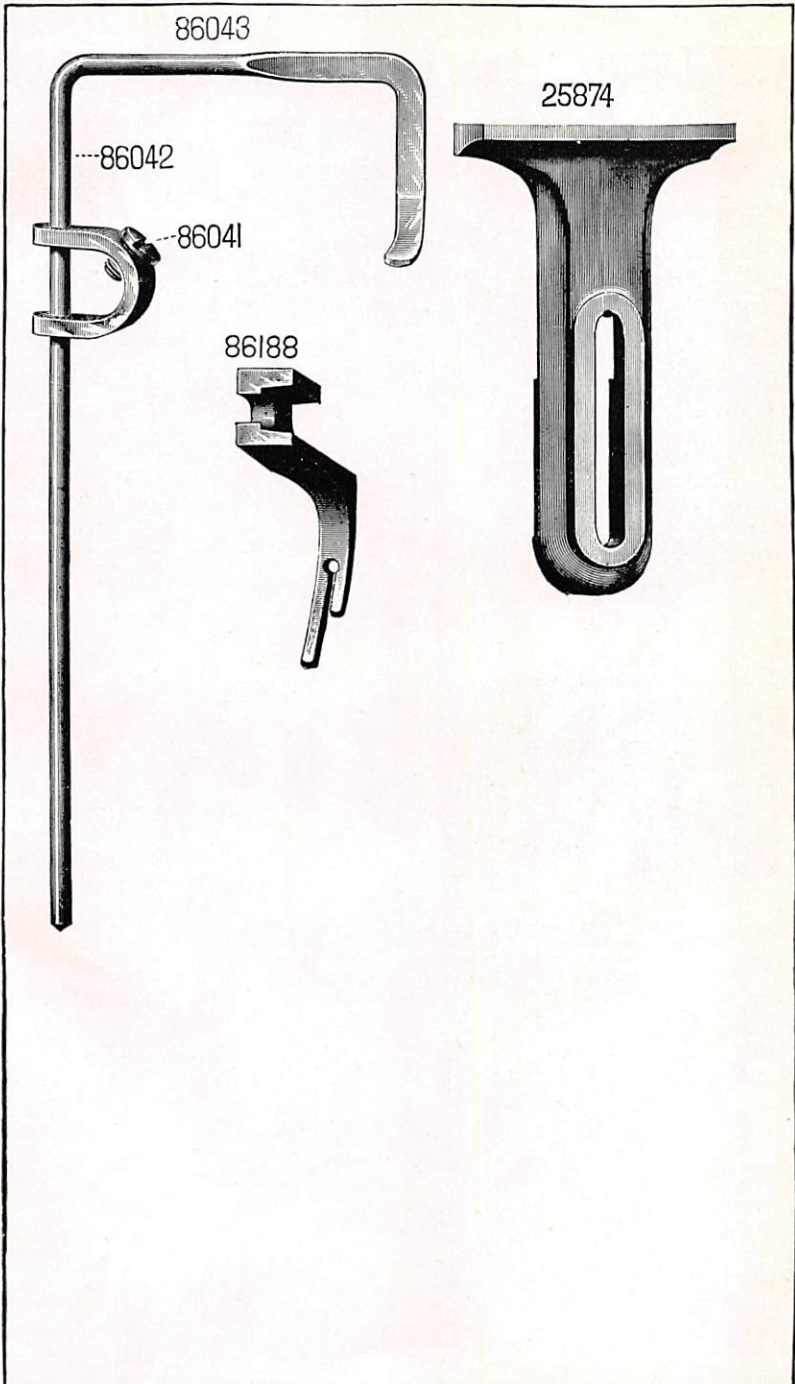


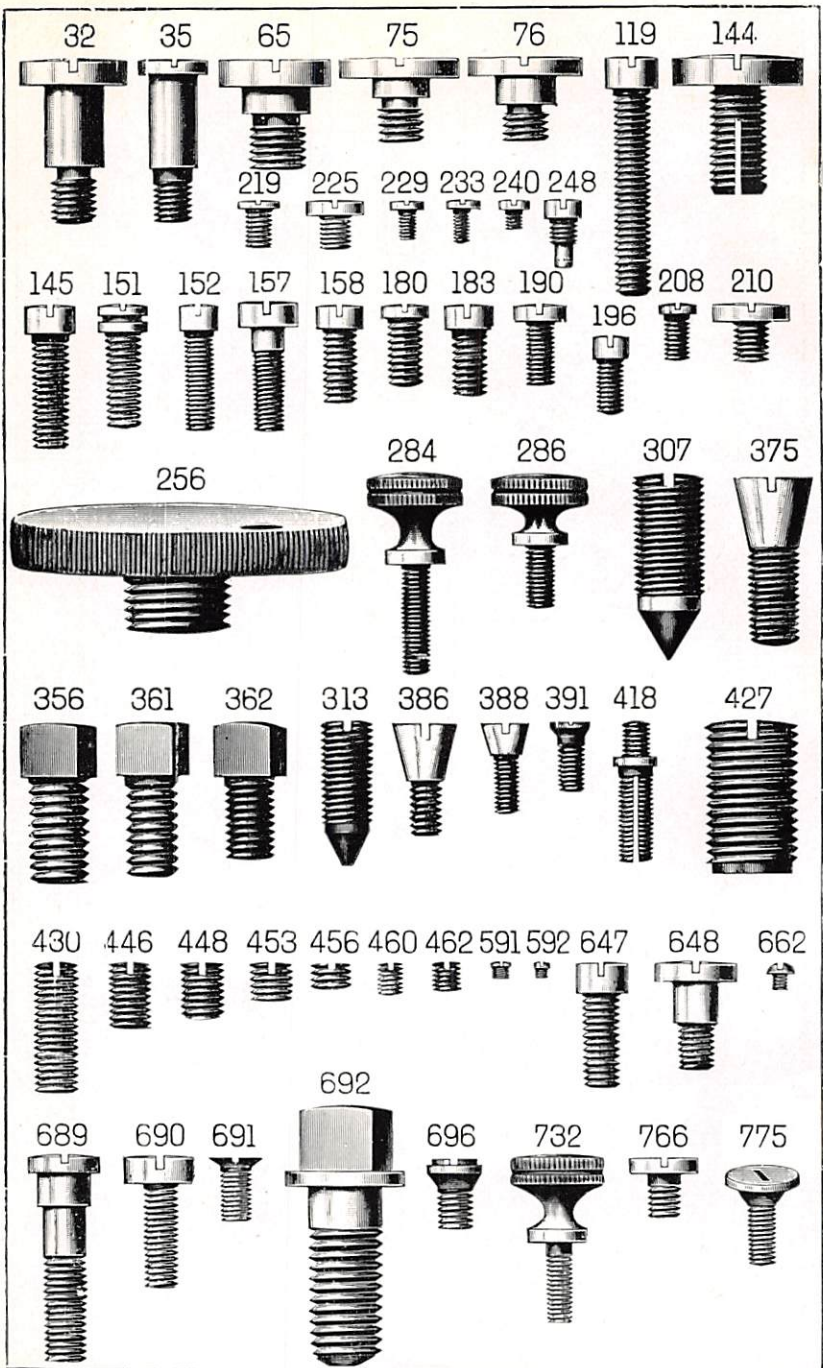




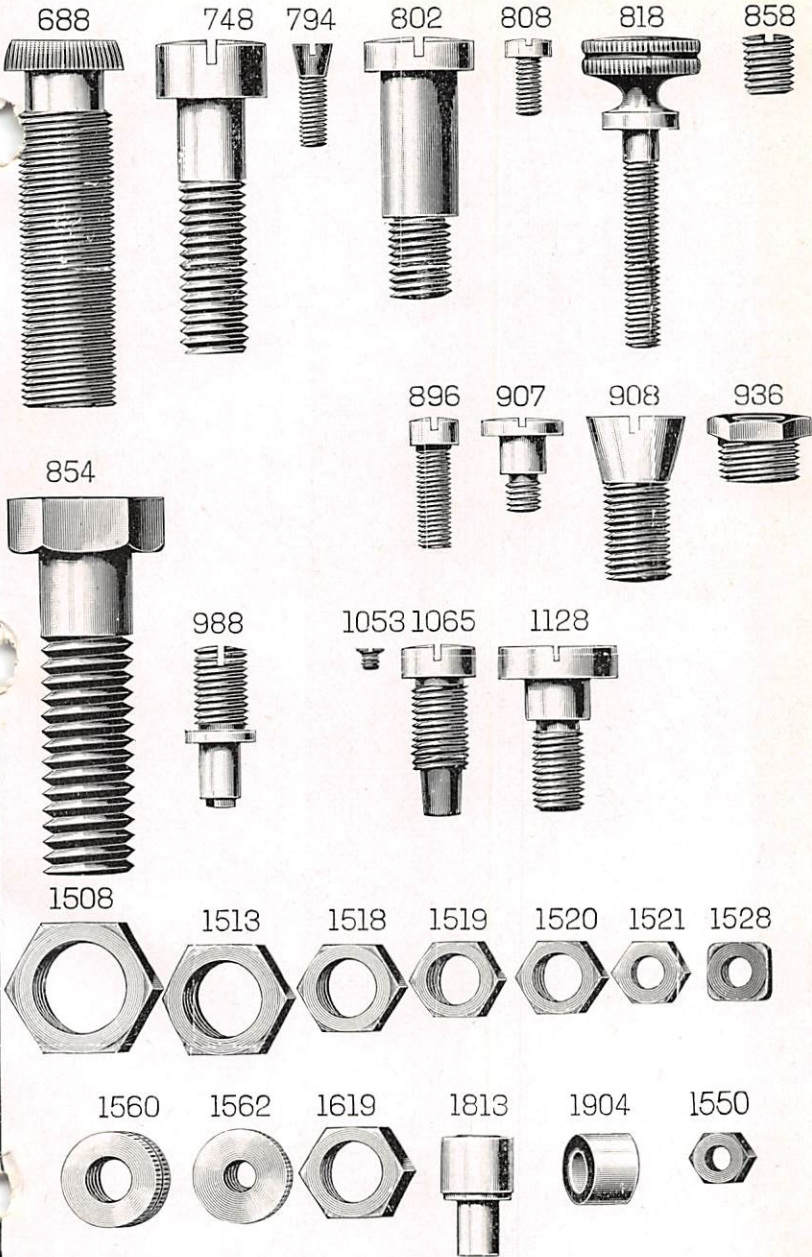
86120

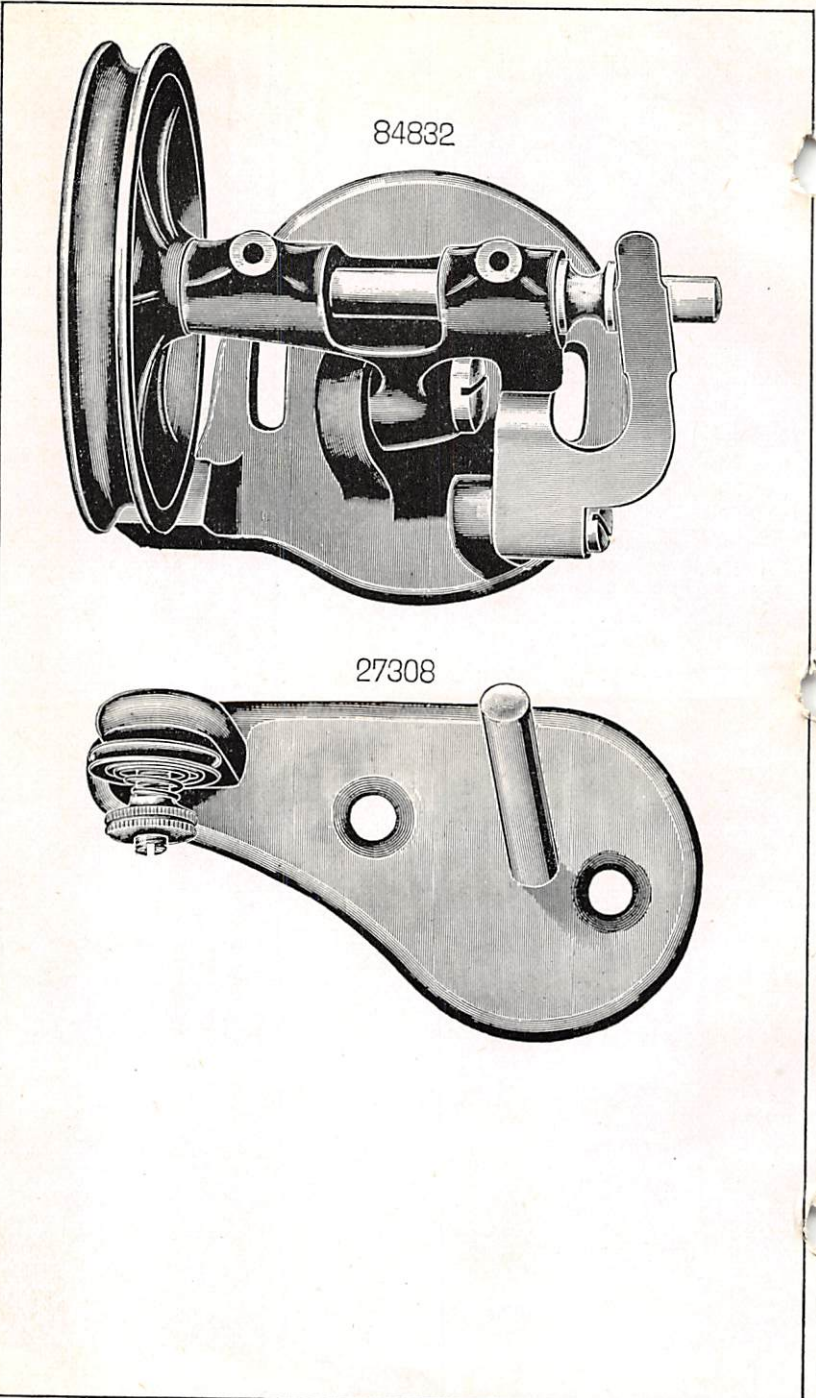








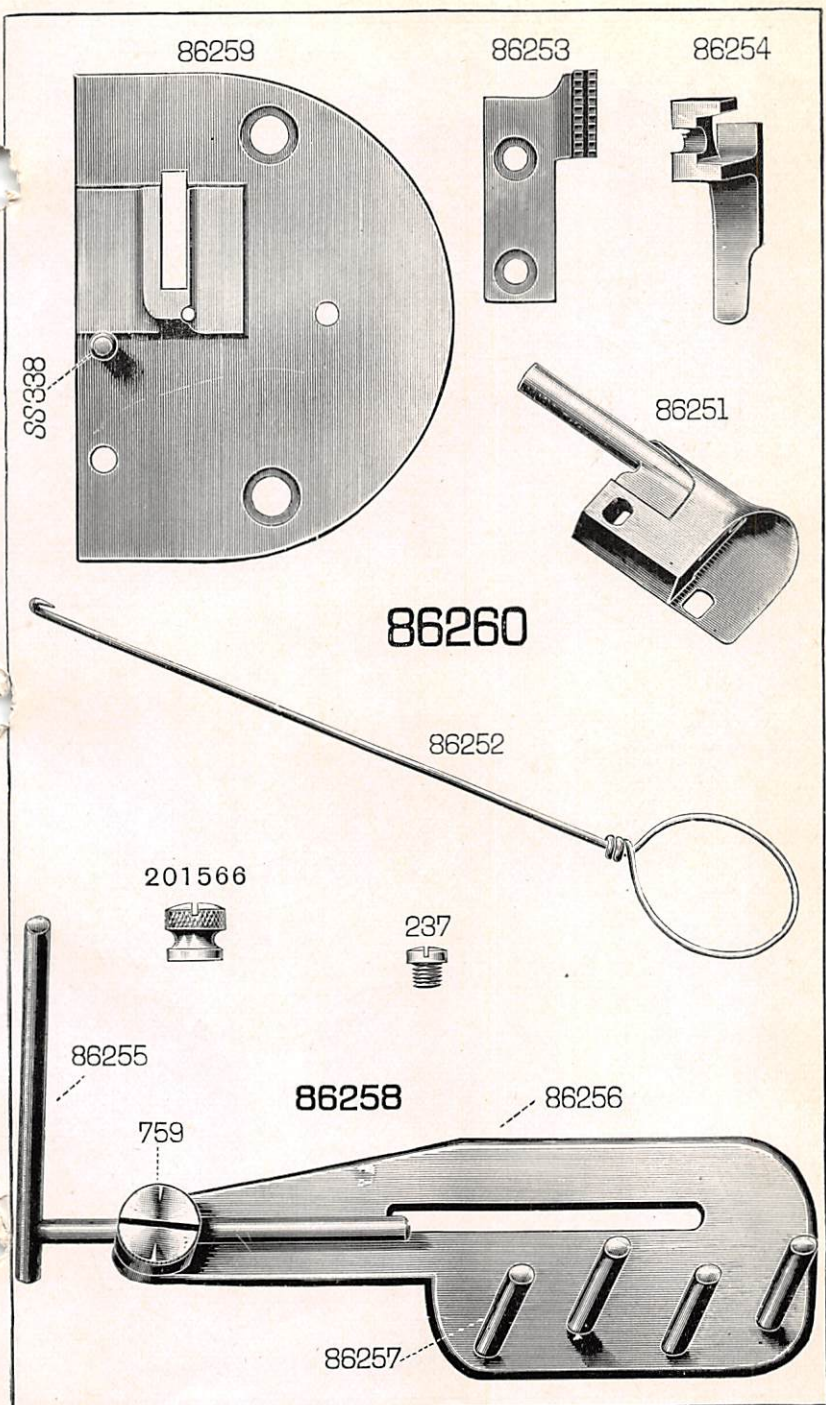




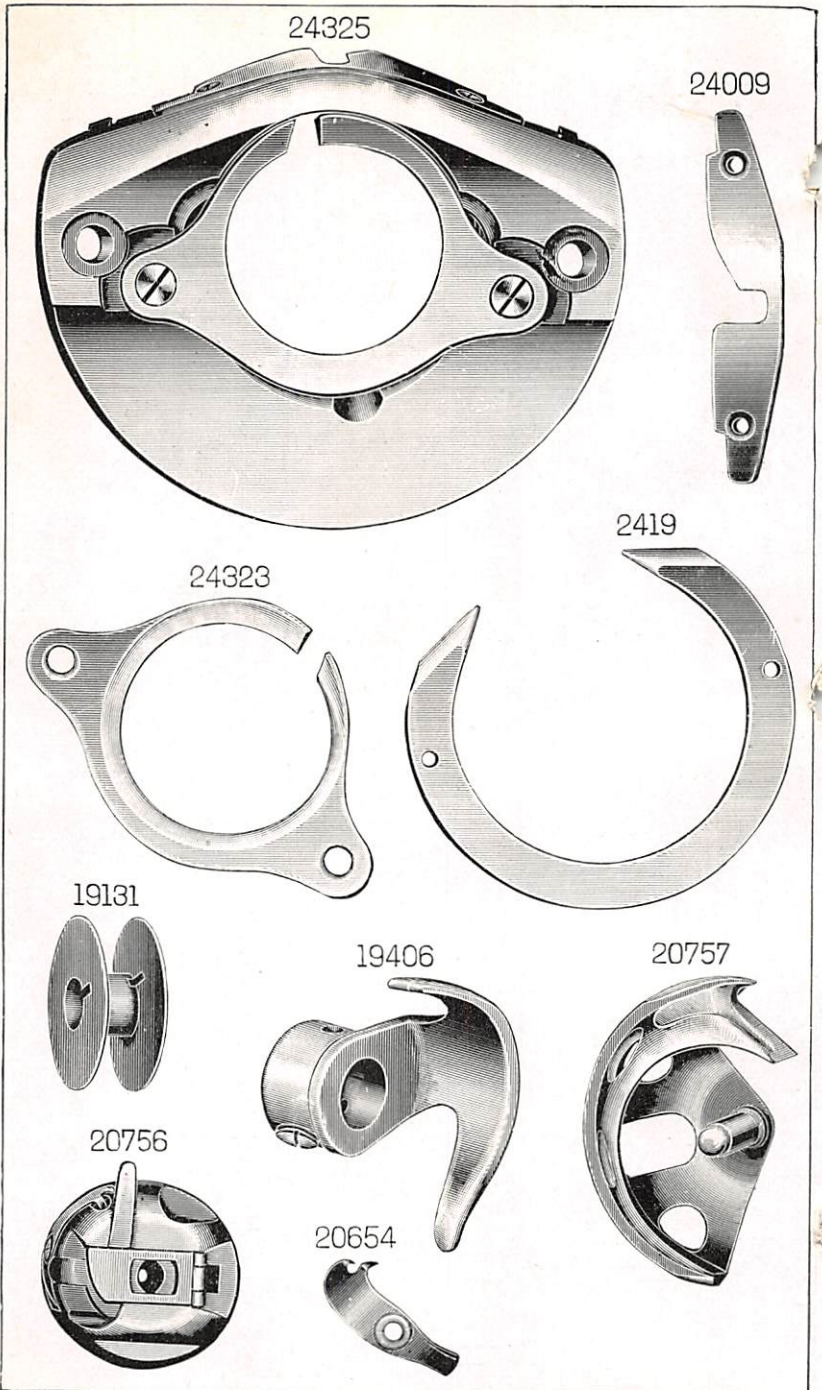
84832

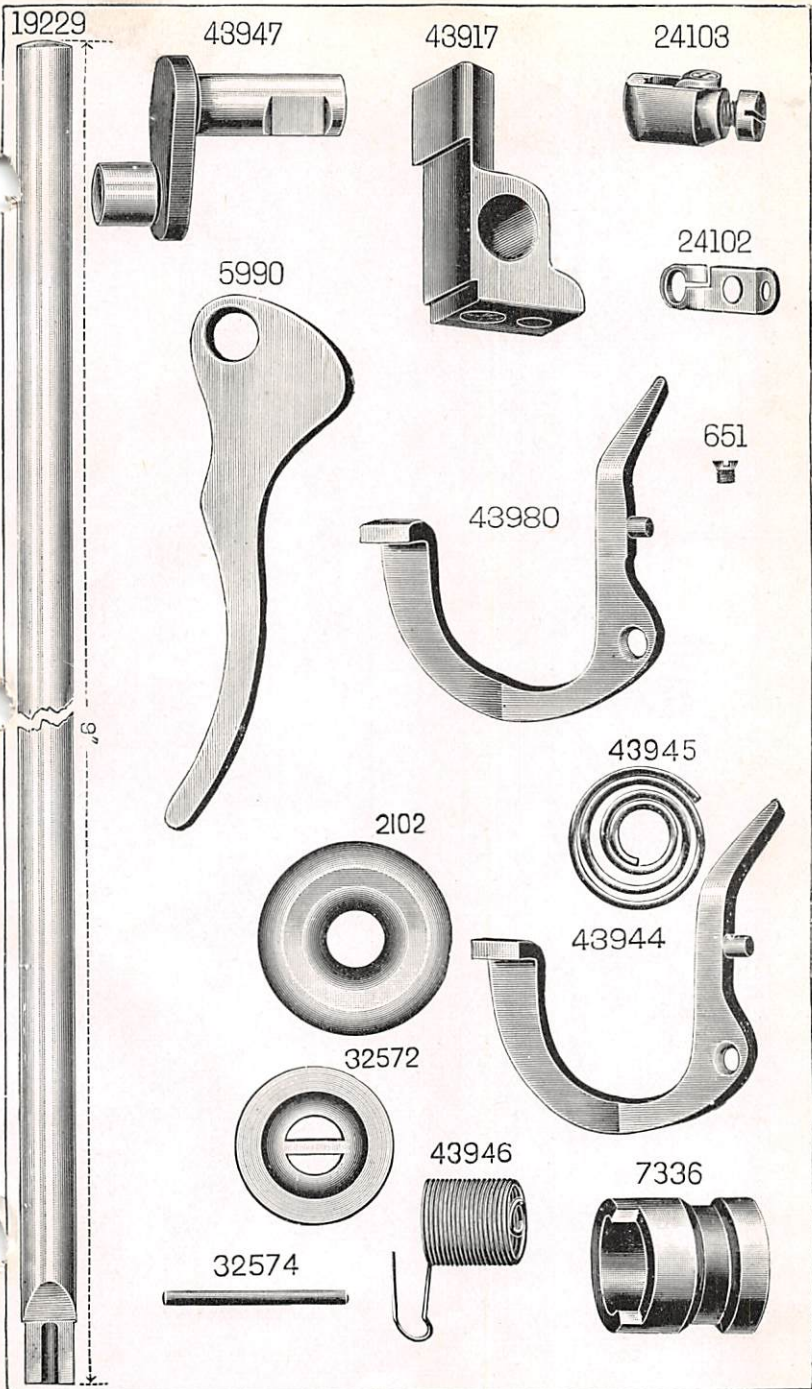
27308

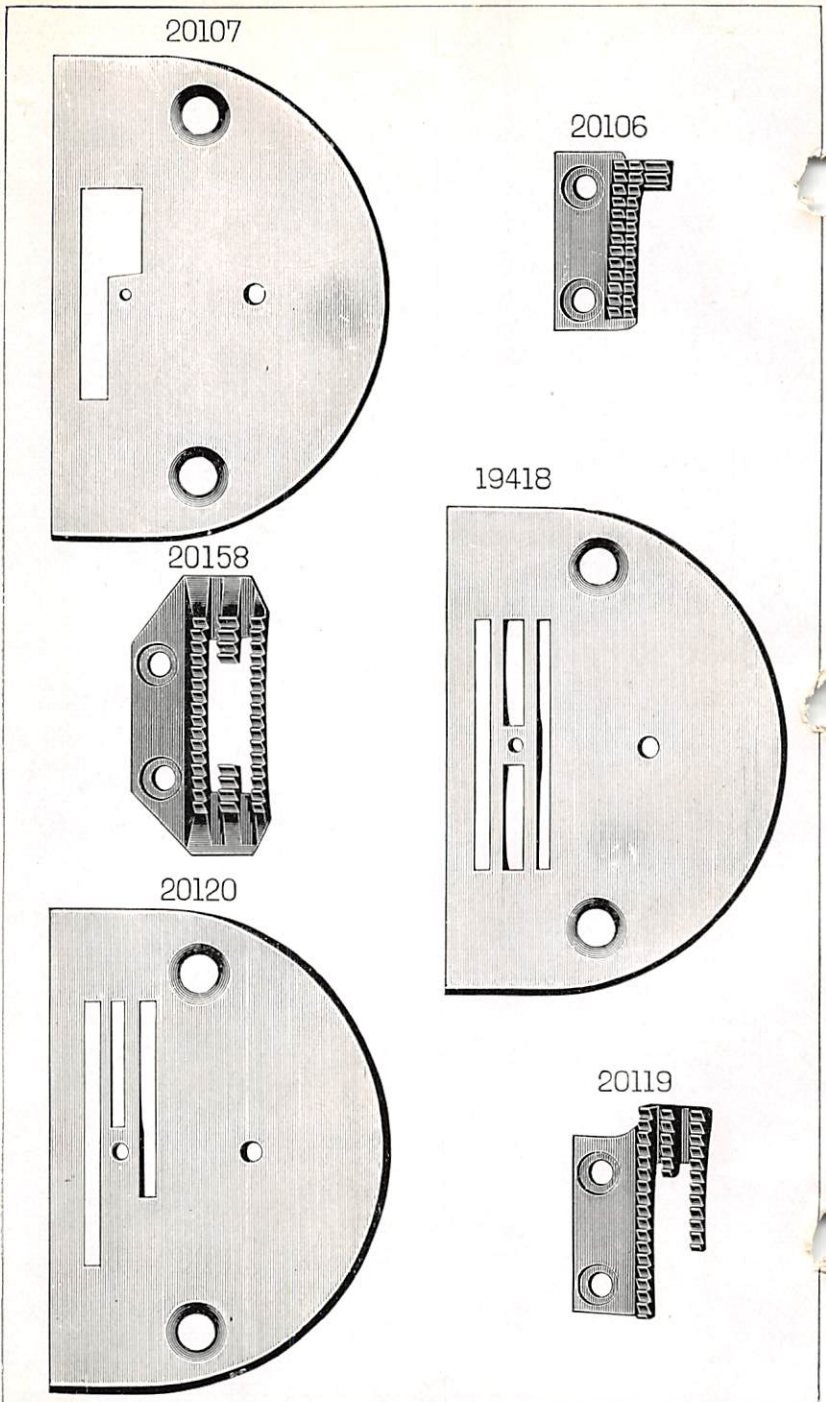






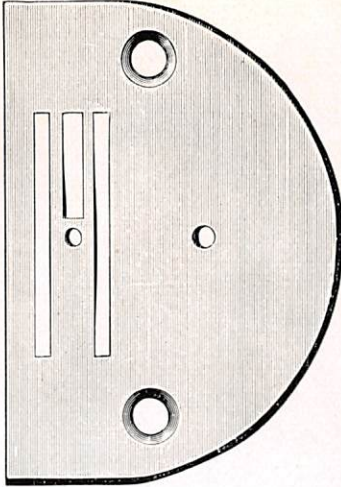




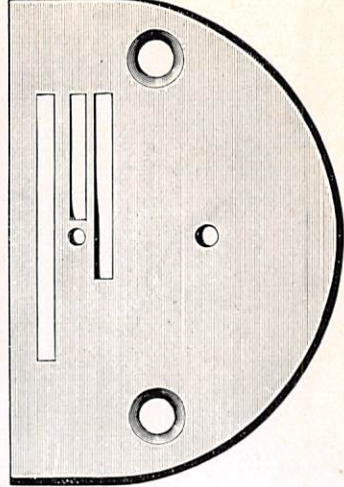




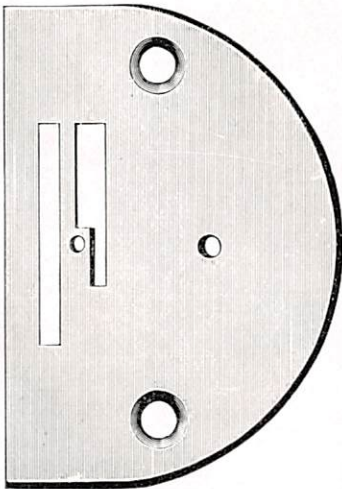
19497



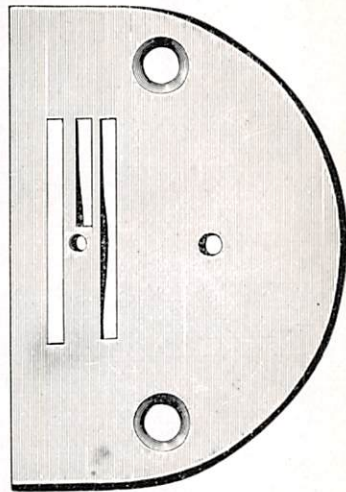
19409



19412



19415



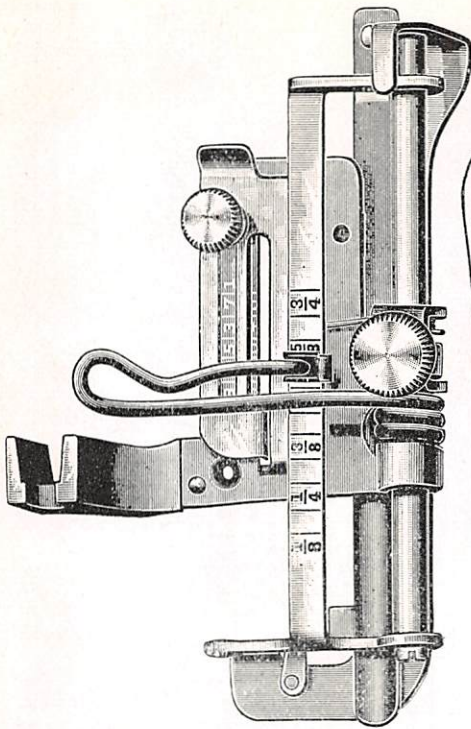
62781



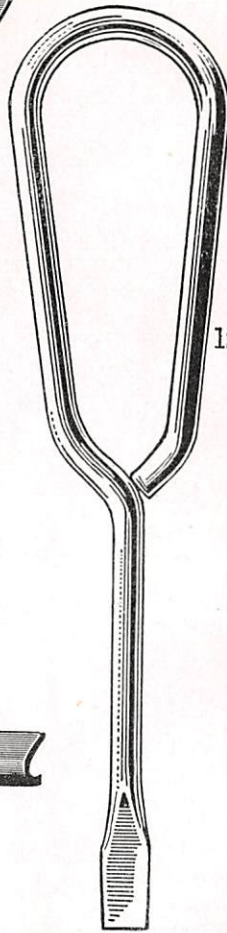
62782



26517



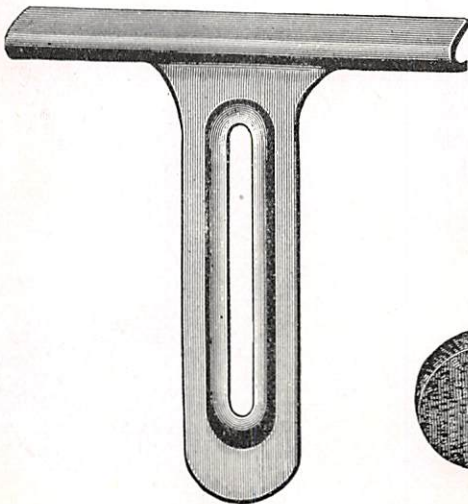
25537



120378



25878

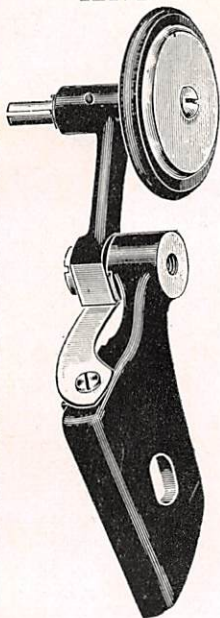


2928

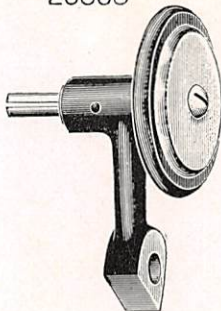




12172



20308



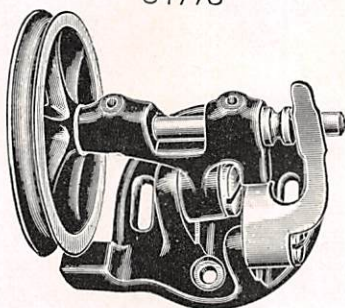
20307



43981



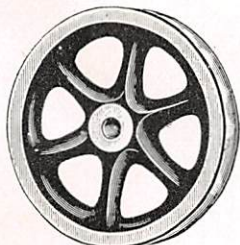
84770



27699



27304



27312

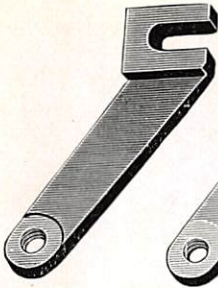


27587

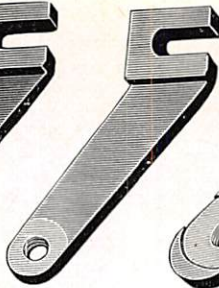




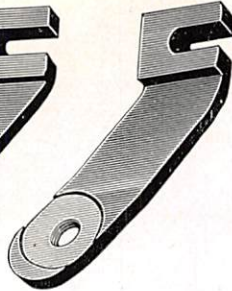
24903



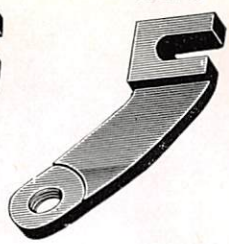
16571



16572



16573



51801



1907



1868



1911



44106



1986



1841



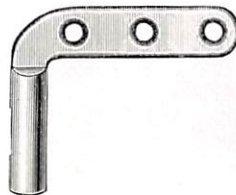
1912



12332



52454



24038



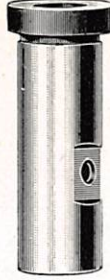
24040



52013



24046



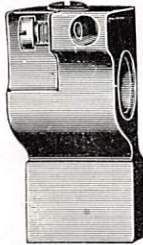
24047



24097



52338



24099



24041



24101



2455

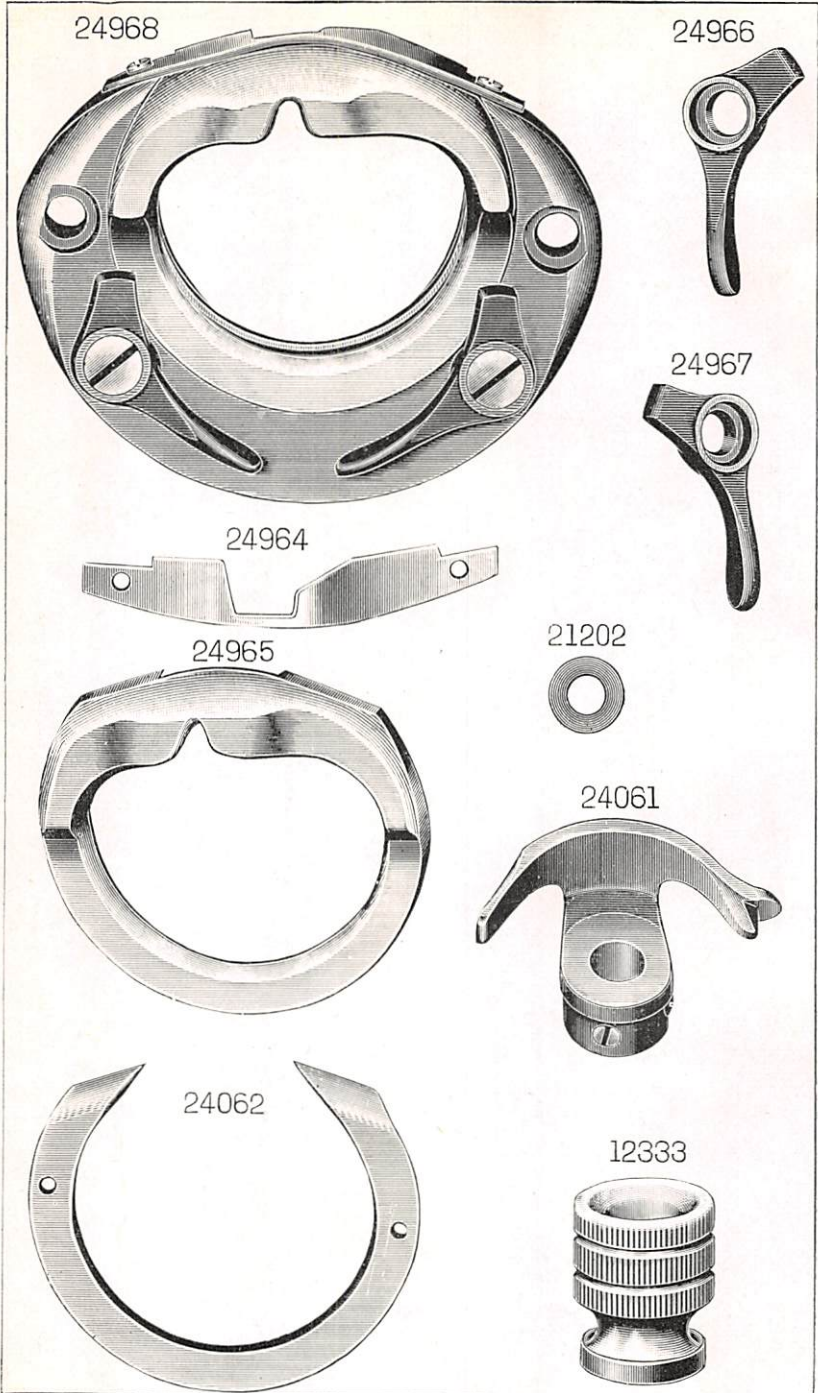


24068

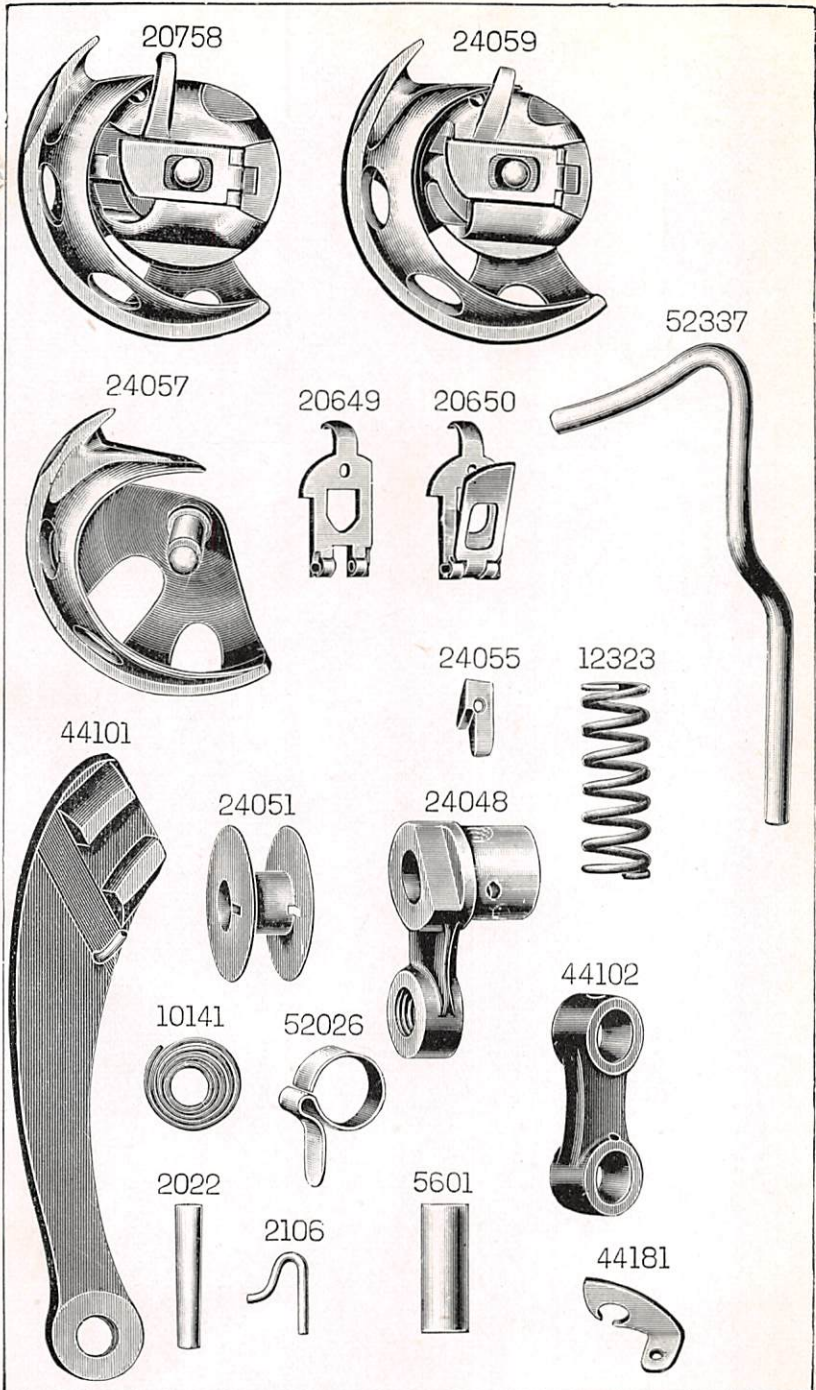


29532





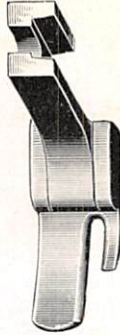




20311



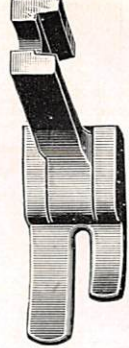
20270



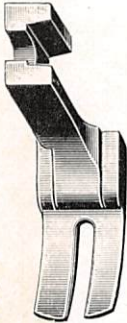
24983



19336



20346



12261



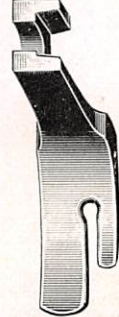
20038



20342



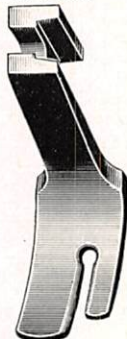
12335



20328



12258



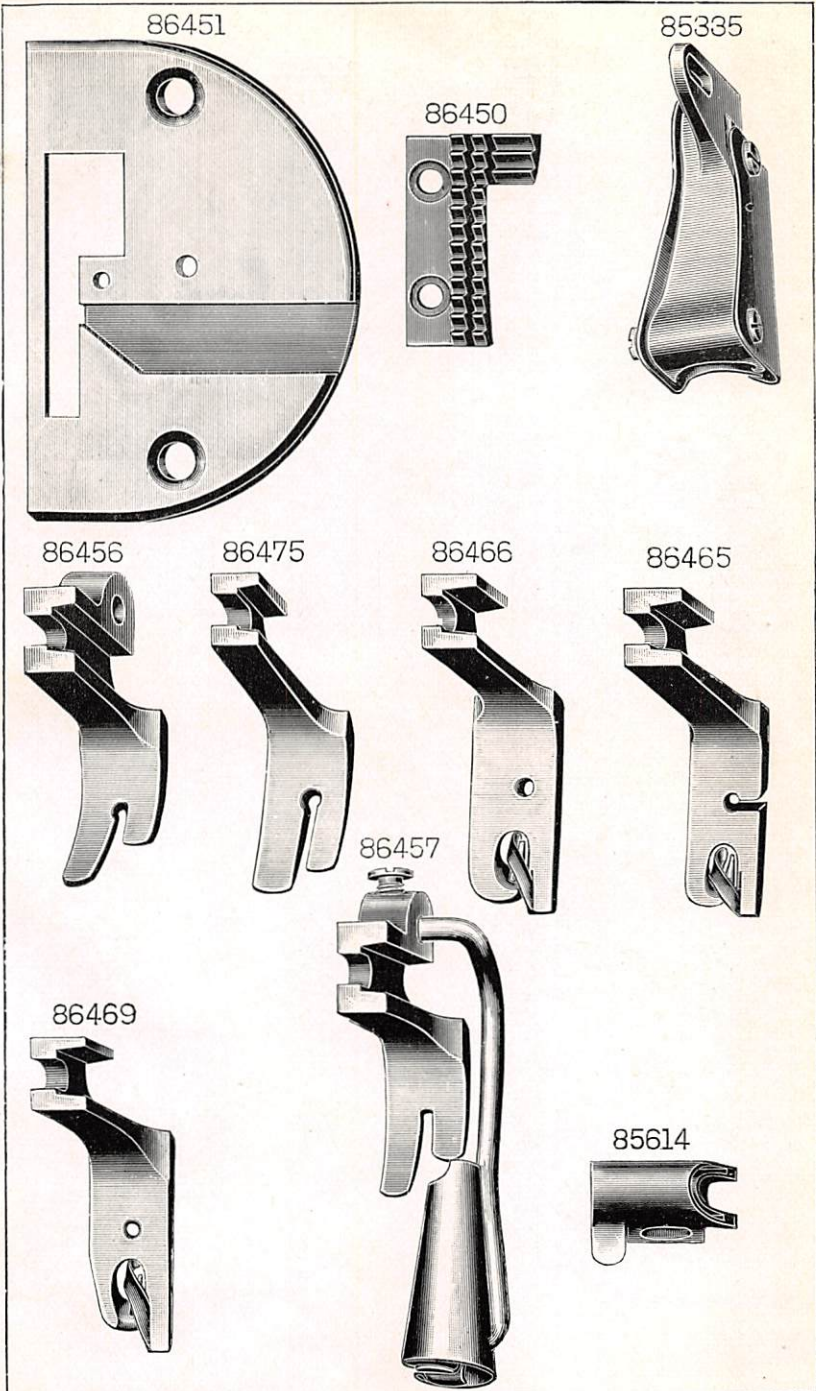
20343



20458





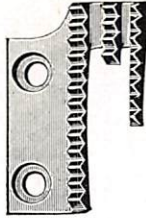




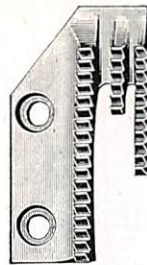
20147



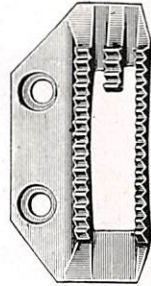
20304



20162



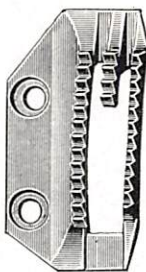
20117



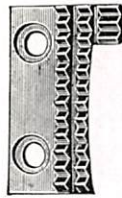
20138



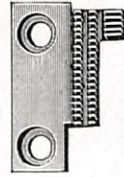
20151



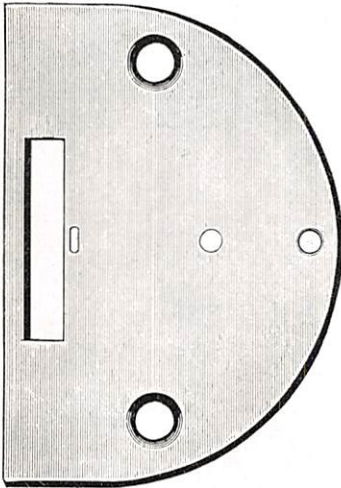
20303



20348



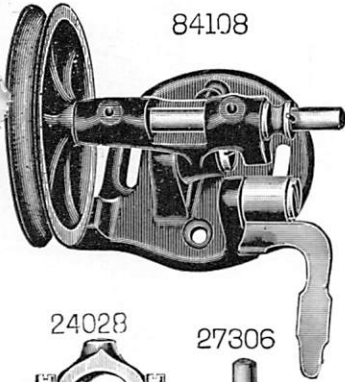
44110



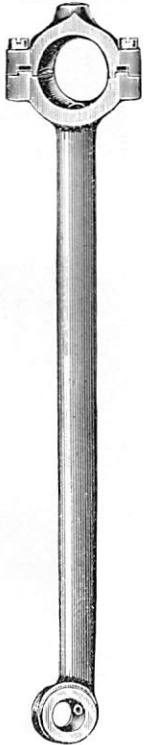
80866



84108



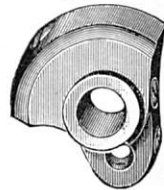
24028



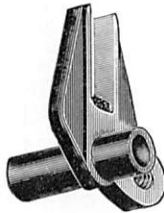
27306



24052

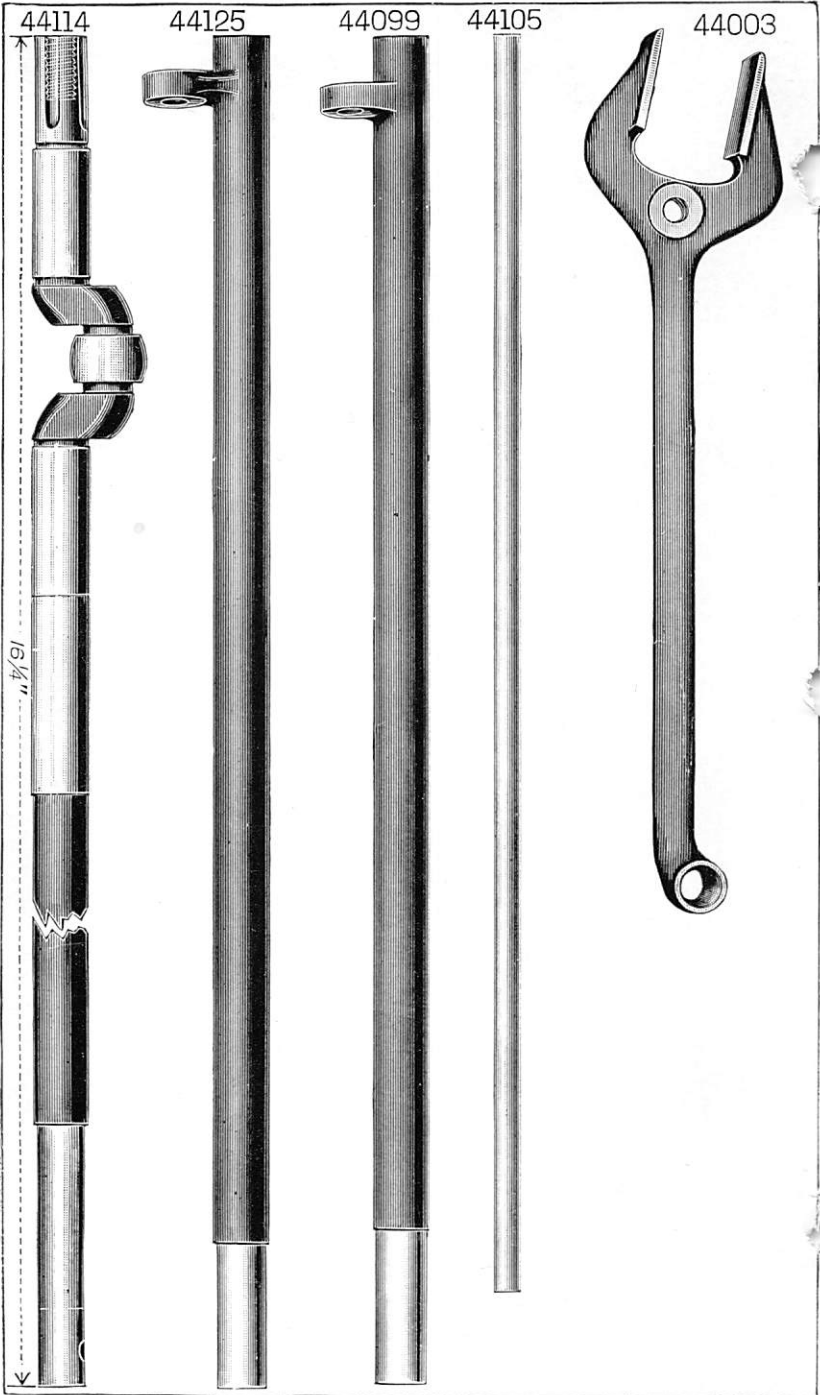


24043

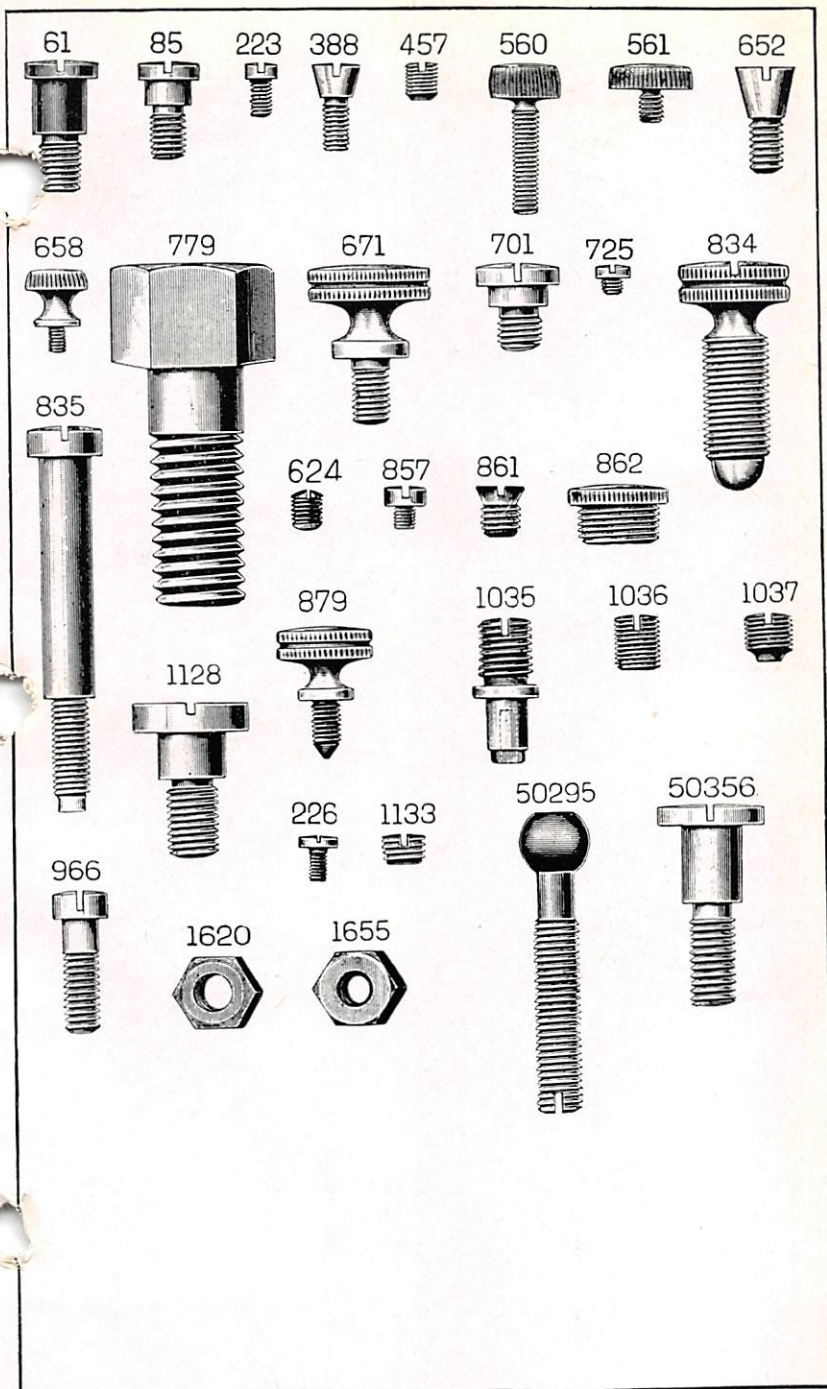


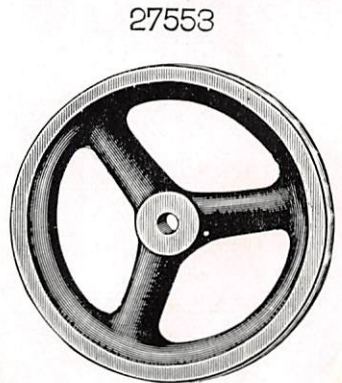
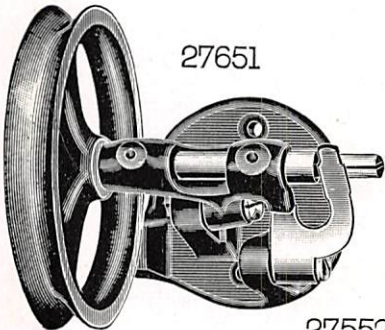
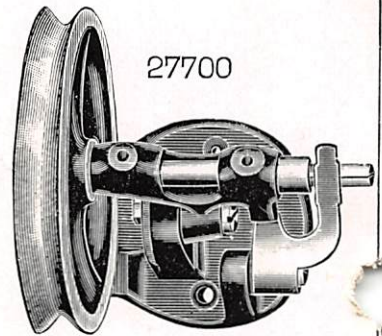
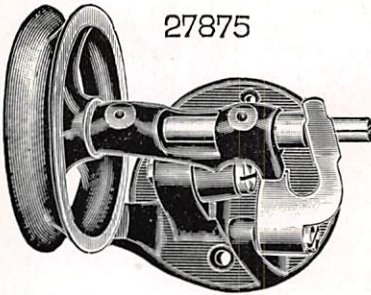
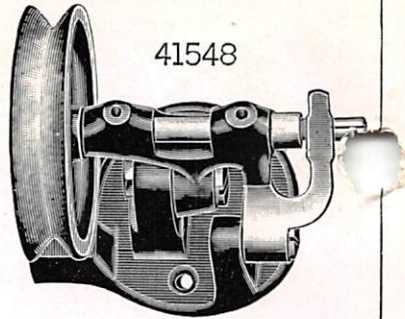
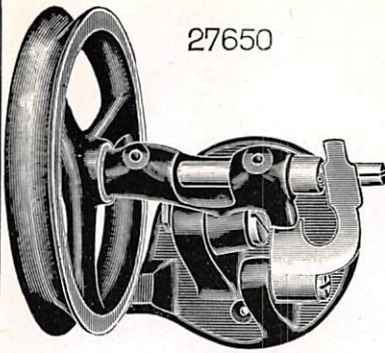
44103





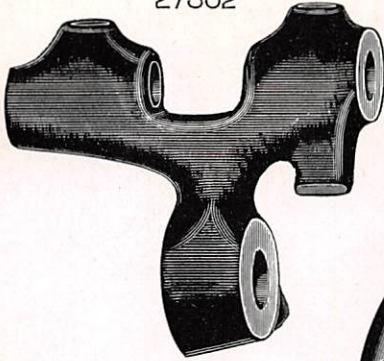




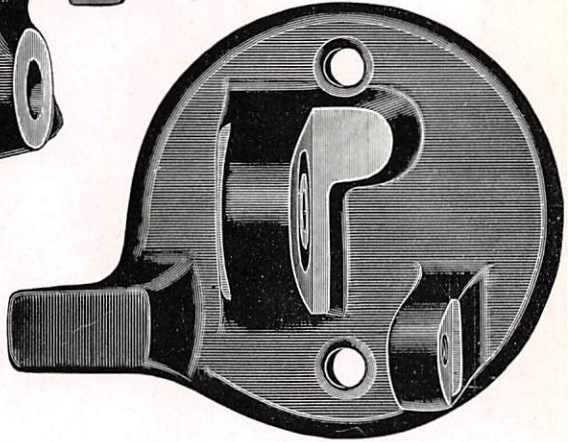




27302



27540



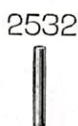
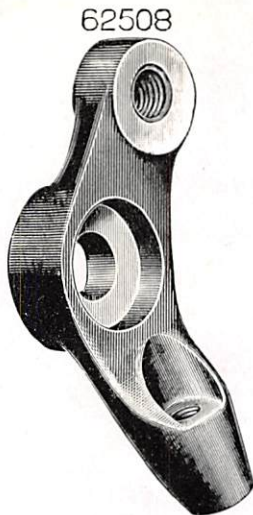
27541



27538

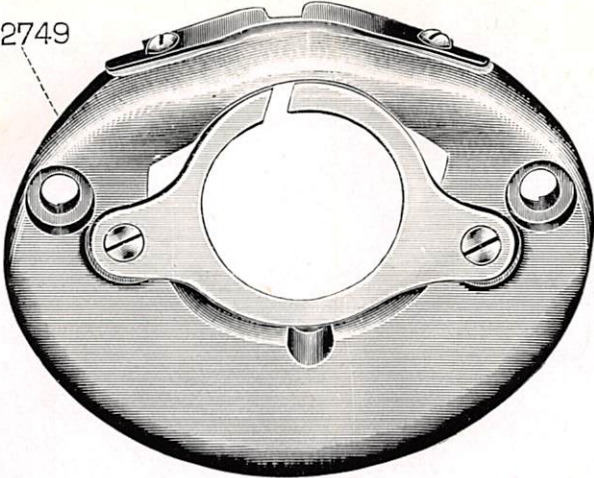




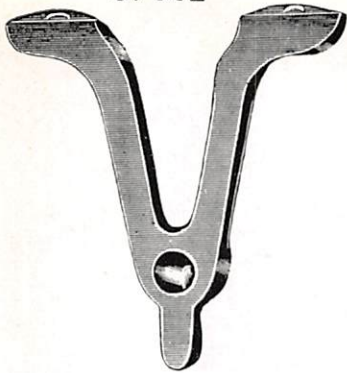


62753

62749



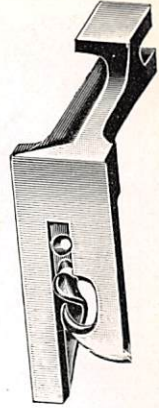
97502



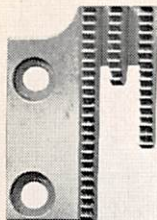


86546

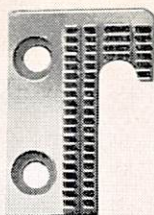
86539



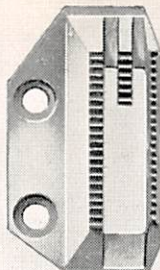
43978



43979



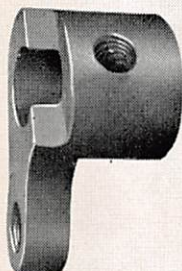
44144



139603



44134



45874



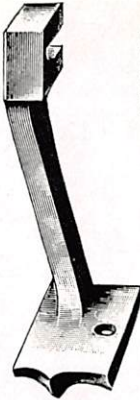
20271



20272



20273



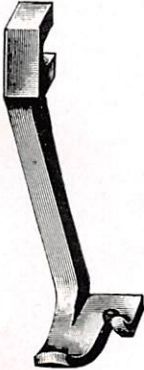
20274



19165



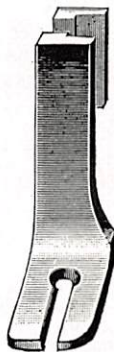
20114



12143



12144



12259



12260



19446



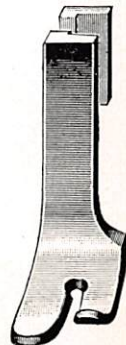
19444



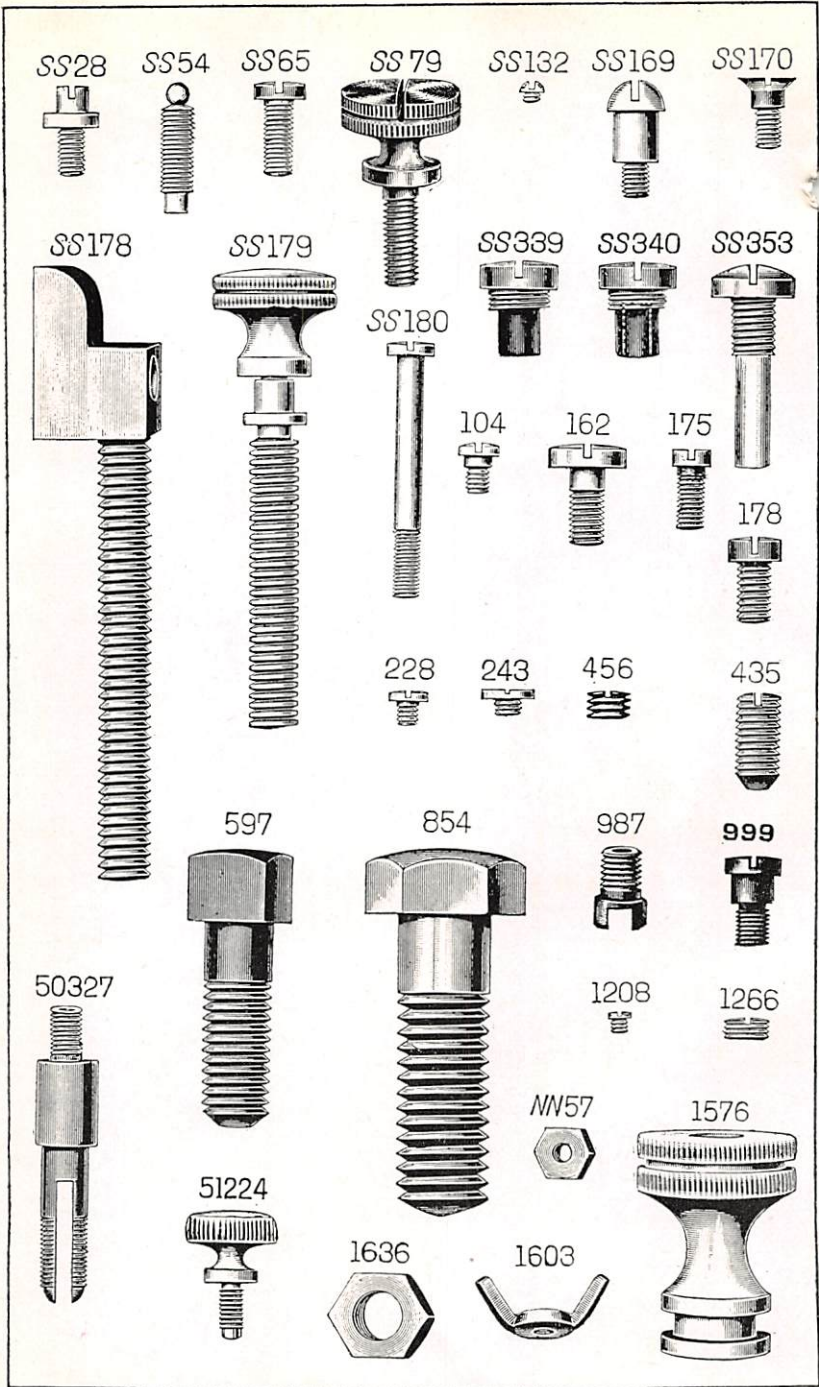
19445

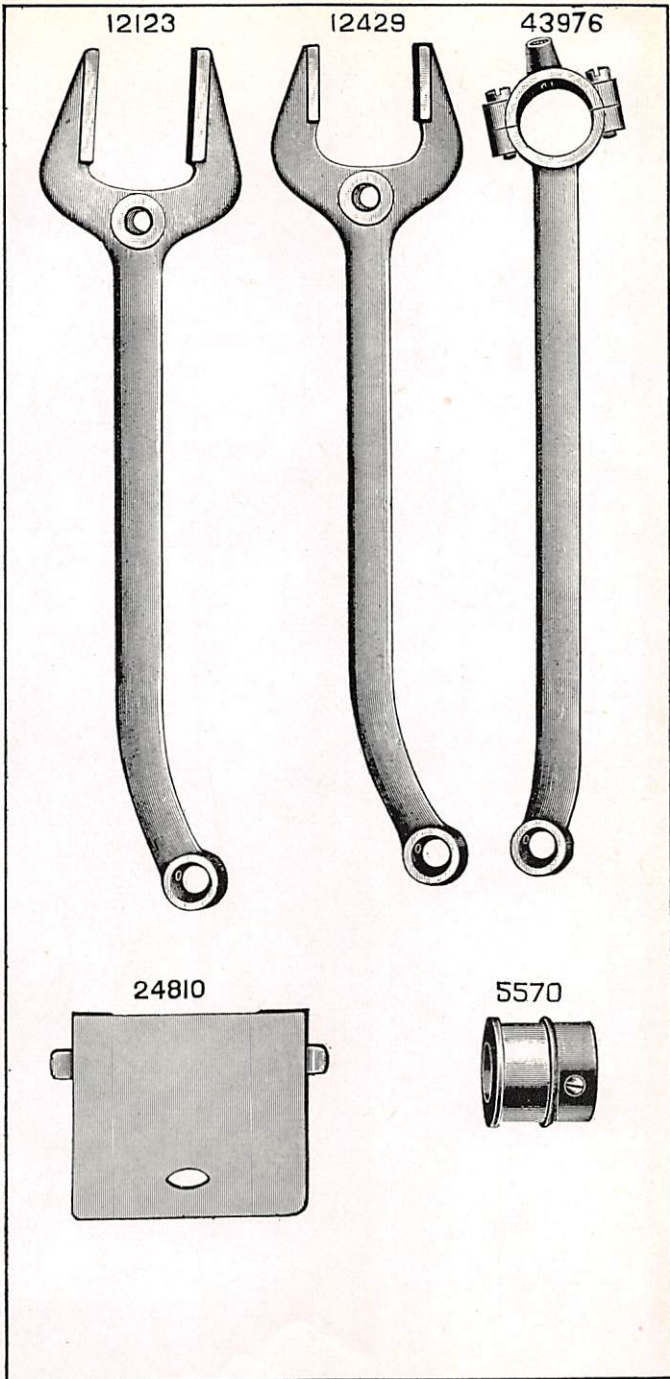


12142



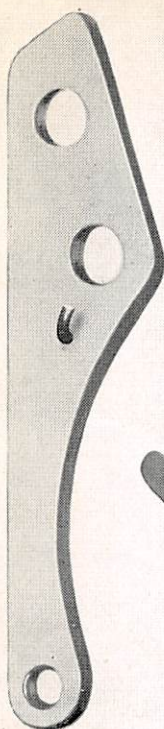








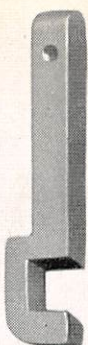
93823



93827



2254



2265



2256



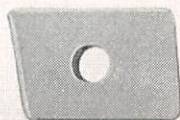
93828



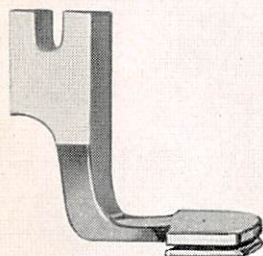
2255



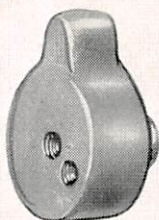
2252



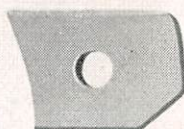
86193



93826



3114



2266



93391



93390



1528



151



183





ILLUSTRATED LIST OF PARTS  
FOR  
CLASS 31K MACHINES



# CONTENTS

---

	Pages
Parts, complete, for 31K15 Machine ... ..	73
" Special to 31K17 Machine ... ..	80
"   "   " 31K20   " ... ..	83
"   "   " 31K22   " ... ..	86
"   "   " 31K48   " ... ..	87
" complete, for 31K32 Machine ... ..	90
"   " 31K45   " (Obsolete) ... ..	96
Accessories ... ..	103
Attachments ... ..	109
Bobbin Winders ... ..	103
Driving Attachment ... ..	119
Knee Lifters ... ..	121
Numerical List of Parts ... ..	125



# INSTRUCTIONS FOR ORDERING

In ordering from this List, the prefix and affix letters with the part number **MUST BE** quoted exactly as they are shown in the first column.

A number always indicates the same part in whatever List it may appear for whatever machine.

The affix letters (where shown) indicate the style of finish, as follows:—

- A. Hardened, Polished, Nickel Plated and Buffed.
- A.A. Buffed and Chromium Plated.
- A.B. Hardened, Polished, Buffed and Chromium Plated.
- A.C. Brown Baking Enamel Finish.
- A.D. Grey Baking Enamel Finish.
- A.E. Hardened, Bright Rumbled and Nickel Plated.
- A.F. Hardened, Bright Rumbled and Nickel Plated, Bright Rumbled and Chromium Plated.
- A.J. Polished, Nickel Plated and Chromium Plated.
- A.K. Hardened, Polished, Nickel Plated and Chromium Plated.
- A.L. Heat Treated for Toughness.
  - B. Polished, Nickel Plated and Buffed.
  - C. Hardened only.
- C.R. Hardened and Merlized.
  - D. Polished only.
  - E. Soft, not Polished.
  - F. Hardened and Polished.
- F.J. Hardened, Polished and Nickel Plated.
- G. Bright Rumbled and Nickel Plated.
- H. Blued.
- J. Nickel Plated only.
- K. Hardened and Nickel Plated.
- L. Brass Plated.
- M. Oxidized.
- N. Japanned, Dull.
- P. Japanned, Bright.
- P.P. Wrinkle Finish.
- R. Merlized.
- S. Cadmium Plated.
- T. Copper Plated.
- T.A. Hardened, Polished, Copper and Nickel Plated and Buffed.
- T.B. Copper and Nickel Plated and Polished.
- T.J. Copper and Nickel Plated only.
- T.K. Hardened, Copper and Nickel Plated.
- T.L. Copper and Brass Plated.
- T.M. Copper Plated and Oxidized.
  - U. Zinc Plated.
  - V. Silver Plated.
  - W. Polished and Nickel Plated.
  - X. Black Oxide for Iron and Steel.
- X.C. Hardened and Black Oxide for Iron and Steel.
  - Y. Black Nickel Plated only.
  - Z. Chromium Plated.
- Z.A. Hardened, Polished, Nickel Plated, Buffed and Chromium Plated.
- Z.B. Polished, Nickel Plated, Buffed and Chromium Plated.
- Z.C. Hardened and Chromium Plated.
- Z.D. Polished and Chromium Plated.
- Z.G. Bright Rumbled, Nickel Plated, Bright Rumbled and Chromium Plated.
- Z.J. Nickel and Chromium Plated.
- Z.T. Copper and Chromium Plated.

*Parts marked with an asterisk (\*) are furnished only when the repairs are made at Factory.*

## PARTS COMPLETE

FOR

## No. 31K15 MACHINE

DROP FEED. FOR CLOTH WORK.

No.	Plate	
*12355	—	Arm with 11104, 11119, 12453, 12454, 15404, 24131 and two 15405
8582	542	" Dowel Pin (2) ... ..
12453	540	" Oil Tube for intermediate bearing ... ..
12454	540	" " " with 52045 for oiling 12409 ... ..
11119	540	" " " (front of arm) with 52045 for oiling 12408 ... ..
24131	540	" " " with 52045 for oiling 20283 ... ..
52045	—	" " " Packing (cotton wick) ... ..
748e	567	" Screw (back) (2) ... ..
854e	2371	" " (front) (2) ... ..
12427	535	<b>Arm Shaft</b> ... ..
*11104	539	" " Bushing (front) ... ..
12357	539	" " Flanged Bushing (back) ... ..
448c	566	" " " " ( " ) Set Screw ... ..
144c	566	" " Screw ... ..
12480	542	" Side Cap ... ..
219f	566	" " " Screw ... ..
12193	544	" " Cover ... ..
51224d	2371	" " " Thumb Screw ... ..
12403	544	" Spool Pin and Thread Eyelet (2) ... ..
12358	535	<b>Balance Wheel</b> (power, light rim, $2\frac{3}{16}$ " pulley), with two 448c...
4370	535	" " (stand, heavy rim, $2\frac{3}{4}$ " pulley), with two 448c ...
85200	535	" " ( " " " $2\frac{1}{2}$ " " ), " " 448c ...
2862	535	" " ( " " " 3" " ), for 3022j ...
2135	535	" " ( " " " $2\frac{1}{2}$ " " ), " 3022j ...
24297	536	" " Oil Cover for 2135 and 2862 ... ..
210d	566	" " " Screw ... ..
448c	566	" " Set Screw ... ..

NOTE.—No. 12358 is sent with this machine, unless otherwise specified on order.

2360 — Bed ... ..

No.	Plate								
256w	566	<b>Clamp Stop Motion Clamp Screw</b>	...	...	...				
248a	566	" " " " Stop Screw	...	...	...				
2020	539	" " " " Washer	...	...	...				
*3023	—	" " " " Flanged Bushing	...	...	...				
4933	539	" " " " " with two 462c							
2022	1249	" " " " " Pin	...	...	...				
* 462c	566	" " " " " Set Screw	...	...	...				
3022j	—	<b>Clamp Stop Motion, complete, Nos. 248a, 256w, 2020 and 4933</b>							
20197	535	<b>Crank Connecting Rod with 20198 and two 896e</b>	...	...	...				
*20198	—	" " " " Cap	...	...	...				
896e	567	" " " " Screw	...	...	...				
908c	567	" " " " Hinge Screw	...	...	...				
1619e	567	" " " " " Nut	...	...	...				
20057	535	<b>Face Plate</b>	...	...	...				
44181	1249	" " Thread Guard (lower)	...	...	...				
12150	—	" " " " ( " ) 44181 with 12152	...	...	...				
12152	542	" " " " ( " ) Rivet	...	...	...				
45874	2369	" " " " (upper)	...	...	...				
139615	—	" " " " ( " ) 45874 with 125424	...	...	...				
125424	—	" " " " ( " ) Rivet	...	...	...				
20058	—	<b>Face Plate, complete, Nos. 12150, 20057 and 139615</b>							
190d	566	" " Screw	...	...	...				
51224d	2371	" " Thumb Screw	...	...	...				
12368	542	<b>Feed Bar</b>	...	...	...				
313c	566	" " Screw Centre (2)	...	...	...				
1519e	567	" " " " Nut (2)	...	...	...				
52165	539	<b>Feed Connecting Link</b>	...	...	...				
375c	566	" " " " Hinge Screw (2)	...	...	...				
1518e	567	" " " " " Nut (2)	...	...	...				
12369	551	<b>Feed Dog for Cloth (12 teeth, 12 teeth to the inch)</b>	...	...	...				
20336	541	" " " " Shirt Work (bevelled for hemmer)	...	...	...				
12370	550	" " " " Cloth (15 teeth, 16 teeth to the inch)	...	...	...				
12455	552	" " " " Shirt Work (bevelled for hemmer)	...	...	...				
12372	550	" " " " " (bevelled for hemmer, 13 teeth, 12 teeth to the inch)	...	...	...				
20002	550	" " " " " (bevelled for hemmer, 18 teeth, 16 teeth to the inch)	...	...	...				
12425	552	" " " " Cloth	...	...	...				
12450	553	" " " " (11 teeth, 18 teeth to the inch)	...	...	...				
12457	551	" " " " (16 " 16 " " " " )	...	...	...				
12468	553	" " " " Shirt Work (16 teeth, 16 teeth to the inch)	...	...	...				
12437	553	" " " " Cloth (4 teeth at right of needle, square corner)	...	...	...				
44136	554	" " " " Tailor Work	...	...	...				



No.	Plate								
12481	550	<b>Feed Dog</b> (18 teeth, 16 teeth to the inch) ...	...	...	...	...	...	...	...
208e	566	" " Screw (2) ...	...	...	...	...	...	...	...
<i>NOTE.—No. 44136 is sent with this machine, unless otherwise specified on order.</i>									
20283	539	<b>Feed and Feed Lifting Eccentric</b> with 446c ...	...	...	...	...	...	...	...
446c	566	" " " " " Set Screw ...	...	...	...	...	...	...	...
24036	539	" " " " " Sleeve ...	...	...	...	...	...	...	...
20284	535	<b>Feed Forked Connection</b> ...	...	...	...	...	...	...	...
375c	566	" " " Hinge Screw ...	...	...	...	...	...	...	...
1518e	567	" " " " " Nut ...	...	...	...	...	...	...	...
44125	1254	<b>Feed Lifting Rock Shaft</b> ...	...	...	...	...	...	...	...
12376	539	" " " " Crank with 157c and 1813 ...	...	...	...	...	...	...	...
157c	566	" " " " Clamping Screw ...	...	...	...	...	...	...	...
1813	567	" " " " Roller and Stud ...	...	...	...	...	...	...	...
44126	—	<b>Feed Lifting Rock Shaft, complete, Nos. 12376 and 44125</b> ...	...	...	...	...	...	...	...
43976	2508	<b>Feed Lifting Rock Shaft Crank Connecting Rod</b> with 43977							
									and two 966e
43977	—	" " " " " " " " Cap ...	...	...	...	...	...	...	...
966e	1255	" " " " " " " " Screw	...	...	...	...	...	...	...
375c	566	" " " " " " " " Hinge Screw	...	...	...	...	...	...	...
1518e	567	" " " " " " " " " " Nut	...	...	...	...	...	...	...
307c	566	" " " " " Screw Centre (2) ...	...	...	...	...	...	...	...
1513j	567	" " " " " " " Nut (2) ...	...	...	...	...	...	...	...
3039	540	<b>Feed Regulator</b> ...	...	...	...	...	...	...	...
1128e	567	" " Hinge Screw ...	...	...	...	...	...	...	...
818d	567	" " Thumb Screw ...	...	...	...	...	...	...	...
12379	535	<b>Feed Rock Shaft</b> ...	...	...	...	...	...	...	...
29633	539	" " " Crank with 157c ...	...	...	...	...	...	...	...
157c	566	" " " " Clamping Screw ...	...	...	...	...	...	...	...
307c	566	" " " Screw Centre (2) ...	...	...	...	...	...	...	...
1513j	567	" " " " " Nut (2) ...	...	...	...	...	...	...	...
20333	—	<b>Feed Rock Shaft, complete, Nos. 12379 and 29633</b> ...	...	...	...	...	...	...	...
25874	542	<b>Guide</b> for raised throat plates ...	...	...	...	...	...	...	...
25866	542	" " flush throat plates ...	...	...	...	...	...	...	...
284d	566	" Thumb Screw for 25874 ...	...	...	...	...	...	...	...
732d	566	" " " " 25866 ...	...	...	...	...	...	...	...

No.	Plate								
12381	535	<b>Needle Bar</b> (hollow)	...	...	...	...	...	...	...
12382	540	" "	Connecting Link with 794e	...	...	...	...	...	...
43997	—	" "	" "	12382 with 12384	...	...	...	...	...
794e	567	" "	" "	Adjusting Screw	...	...	...	...	...
*12383	540	" "	" "	Stud	...	...	...	...	...
12384	—	" "	" "	12383 with 453c and 1904	...	...	...	...	...
1904	567	" "	" "	Roller (roller only)	...	...	...	...	...
453c	566	" "	" "	Set Screw	...	...	...	...	...
20188	540	" "	" "	Crank with 858c and 1065c	...	...	...	...	...
1065c	567	" "	" "	Position Screw	...	...	...	...	...
858c	567	" "	" "	Set Screw	...	...	...	...	...
93811	—	" "	" "	Lubricating Wick (2)	...	...	...	...	...
936e	567	" "	" "	Screw Bushing (2)	...	...	...	...	...
4302	542	" "	" "	Thread Guard	...	...	...	...	...
233d	566	" "	" "	Screw	...	...	...	...	...
4303	542	<b>Needle Clamp</b> with 808f	...	...	...	...	...	...	...
808f	567	" "	Screw	...	...	...	...	...	...
24104	541	<b>Oscillating Rock Shaft</b>	...	...	...	...	...	...	...
12388	537	" "	" "	Hinge Pin	...	...	...	...	...
448c	566	" "	" "	Set Screw	...	...	...	...	...
4784	—	" "	" "	Oil Pad	...	...	...	...	...
24105	—	<b>Oscillating Rock Shaft, complete, Nos. 4784, 12388 and 24104</b>	...	...	...	...	...	...	...
12389	535	<b>Oscillating Shaft</b>	...	...	...	...	...	...	...
19496	539	" "	" "	Crank for 19447	...	...	...	...	...
44134	2369	" "	" "	44135	...	...	...	...	...
3093	1549	" "	" "	Pin	...	...	...	...	...
457c	1255	" "	" "	Set Screw for 19447	...	...	...	...	...
453c	566	" "	" "	" " 44135	...	...	...	...	...
19448	544	" "	" "	Slide Block	...	...	...	...	...
226d	1255	" "	" "	Cap Screw	...	...	...	...	...
12424	541	" "	" "	" " Washer	...	...	...	...	...
988c	567	" "	" "	Screw Stud	...	...	...	...	...
1518e	567	" "	" "	" " Nut	...	...	...	...	...
19449	—	" "	" "	complete, Nos. 226d, 988c, 12424 and 19448	...	...	...	...	...
*19447	—	<b>Oscillating Shaft Crank, complete, Nos. 457c, 1518e, 19449 and 19496</b>	...	...	...	...	...	...	...
44135	—	<b>Oscillating Shaft Crank, complete, Nos. 1518e, 19449, 44134 and two 453c</b>	...	...	...	...	...	...	...

No.	Plate							
12391	535	<b>Presser Bar</b> (hollow) ...	...	...	...	...	...	...
20059	540	" " Guide Bracket with 453c	...	...	...	...	...	...
453c	566	" " " " Set Screw	...	...	...	...	...	...
2062	544	" " Lifter ...	...	...	...	...	...	...
689c	566	" " " Screw	...	...	...	...	...	...
1520r	567	" " " " Nut	...	...	...	...	...	...
12327	540	" " Lifting and Releasing Lever Bracket	...	...	...	...	...	...
11167	537	" " Spring (light)	...	...	...	...	...	...
11170	541	" " " Washer	...	...	...	...	...	...
12143	2370	<b>Presser Foot</b> for 12369 and 12457	...	...	...	...	...	...
12142	2370	" " " 12370	...	...	...	...	...	...
12144	2370	" " " 12372, 12437, 12455, 12468, 12481, 20002 and 20336	...	...	...	...	...	...
12259	2370	" " " 12425	...	...	...	...	...	...
12260	2370	" " " 12437 and 12450	...	...	...	...	...	...
12406	554	" " " Inside Stays $\frac{1}{16}$ " and $\frac{3}{32}$ "	...	...	...	...	...	...
12467	554	" " " Umbrella Work	...	...	...	...	...	...
12474	554	" " " 12372, 12481 and 20002	...	...	...	...	...	...
62527	1549	<b>Presser Foot</b> Hinge Pin	...	...	...	...	...	...
24544	—	" " Plate	...	...	...	...	...	...
24982	—	" " Shank	...	...	...	...	...	...
26231	—	" " Spring	...	...	...	...	...	...
24983	1250	<b>Presser Foot</b> (spring hinged), complete, Nos. 24544, 24982, 26231 and 62527 for 12425, 12481 and 44136	...	...	...	...	...	...
<i>NOTE.—No. 24983 is sent with this machine, unless otherwise specified on order.</i>								
190d	566	<b>Presser Foot Screw</b>	...	...	...	...	...	...
688j	567	<b>Pressure Regulating Thumb Screw</b>	...	...	...	...	...	...
2996	543	<b>Shuttle Bobbin</b>	...	...	...	...	...	...
15141	543	" " Case Hinge, Nos. 2973, 2974 and 15140	...	...	...	...	...	...
15140	543	" " " Latch	...	...	...	...	...	...
2973	543	" " " " Lever	...	...	...	...	...	...
2974	543	" " " " " Fulcrum Pin	...	...	...	...	...	...
2975	543	" " " " Spring	...	...	...	...	...	...
592e	566	" " " " Stop Screw	...	...	...	...	...	...
24412	543	" " " Position Plate	...	...	...	...	...	...
391j	566	" " " " Screw	...	...	...	...	...	...
62740	1549	<b>Shuttle Bobbin Case</b> , with 591f, 592e, 2975, 15141 and 15278	...	...	...	...	...	...
12393	543	<b>Shuttle Body</b>	...	...	...	...	...	...
591f	566	" Tension Regulating Screw	...	...	...	...	...	...
15278	1549	" Spring	...	...	...	...	...	...
19292	543	<b>Shuttle</b> , $1\frac{1}{8}$ " diam., complete, Nos. 2996, 12393 and 62740	...	...	...	...	...	...



No.	Plate							
*12394	—	<b>Shuttle Driver</b>	...	...	...	...	...	...
12444	543	" "	12394 with two 1266c	...	...	...	...	...
2049	542	" "	Pin	...	...	...	...	...
1266c	2371	" "	Set Screw	...	...	...	...	...
2531	543	<b>Shuttle Race Back</b>	...	...	...	...	...	...
2532	1549	" "	" Position Pin	...	...	...	...	...
2533	543	" "	" Spring	...	...	...	...	...
907d	567	" "	" " Screw	...	...	...	...	...
24413	—	" "	Body	...	...	...	...	...
24962	—	" "	" 24413, with 24414, two each 1053d and 2532	...	...	...	...	...
24414	543	" "	Cap	...	...	...	...	...
1053d	567	" "	" Screw	...	...	...	...	...
24415	537	<b>Shuttle Race</b> , complete, Nos. 907d, 2531, 2533, 24412, 24962 and two 391j	...	...	...	...	...	...
145d	566	<b>Shuttle Race Screw (2)</b>	...	...	...	...	...	...
12431	—	<b>Shuttle Race Slide</b>	...	...	...	...	...	...
4307	544	" "	" Spring	...	...	...	...	...
725e	1255	" "	" " Screw	...	...	...	...	...
12432	544	<b>Shuttle Race Slide</b> , complete, Nos. 4307, 12431 and two 725e	...	...	...	...	...	...
20060	544	<b>Slack Thread Regulator</b>	...	...	...	...	...	...
225f	566	" "	" Adjusting Screw	...	...	...	...	...
2102	1013	<b>Tension Disc</b>	...	...	...	...	...	...
1560c	567	"	Regulating Thumb Nut	...	...	...	...	...
32572	1013	"	Releasing Disc	...	...	...	...	...
43944	1013	" "	" Lever	...	...	...	...	...
12398	542	" "	" Hinge Pin	...	...	...	...	...
12329	542	" "	" Spring	...	...	...	...	...
32574	1013	" "	" Pin	...	...	...	...	...
50327c	2371	"	Screw Stud	...	...	...	...	...
44141	—	" "	" 50327c with 1560c	...	...	...	...	...
43945	1013	"	Spring	...	...	...	...	...
44118	—	<b>Tension</b> , complete, Nos. 7336, 32572, 32574, 43945, 43946, 44141 and two 2102	...	...	...	...	...	...
52454	1246	<b>Thread Retainer</b>	...	...	...	...	...	...
624c	1255	" "	Set Screw	...	...	...	...	...
12404	540	<b>Thread Take-up Crank</b>	...	...	...	...	...	...
3094	544	" "	" Wedge	...	...	...	...	...
690e	566	" "	" " Screw	...	...	...	...	...

No.	Plate							
12408	540	<b>Thread Take-up Lever</b>	...	...	...	...		
775e	566	"	"	"	Cap Screw	...	...	...
12166	544	"	"	"	Hinge Pin	..	...	...
12409	540	"	"	"	Link	...	...	...
11204	540	"	"	"	"	Hinge Pin	...	...
435c	2371	"	"	"	"	"	Set Screw	...
12410	—	<b>Thread Take-up Lever, complete, Nos. 12166, 12408 and 12409</b>						
43946	1013	<b>Thread Take-up Spring</b>	...	...	...	...		
7336	1013	"	"	"	Regulator	...	...	...
448c	566	"	"	"	"	Set Screw	...	...
43990	—	<b>Thread Take-up, complete, Nos. 775e, 11204, 12404, 12410 and 43997</b>	...	...	...	...	...	...
12411	551	<b>Throat Plate (large needle hole) for</b>	12369	and	12457			...
12449	—	"	"	(small	"	"	)	"
12469	—	"	"	(large	"	"	)	"
12470	553	"	"	(small	"	"	)	"
12412	550	"	"	(large	"	"	)	"
12426	552	"	"	(	"	"	)	"
12466	—	"	"	(small	"	"	)	"
12414	—	"	"	(large	"	"	)	"
12442	550	"	"	(small	"	"	)	"
12464	553	"	"	(large	"	"	)	"
12451	—	"	"	(small	"	"	)	"
12482	—	"	"	(large	"	"	)	"
12483	550	"	"	(small	"	"	)	"
12465	—	"	"	(large	"	"	)	"
12440	553	"	"	(small	"	"	)	"
20337	541	"	"	(large	"	"	)	"
20338	—	"	"	(small	"	"	)	"
12456	552	"	"	(	"	"	)	"
44137	554	"	"	(large	"	"	)	"
44138	—	"	"	(small	"	"	)	"
691f	566	"	"	Screw (2)	...	...	...	...

NOTE.—No. 44137 is sent with this machine, unless otherwise specified on order.

139622	—	<b>Drip Pan with four <math>\frac{3}{4}</math>" wire nails</b>	...	...	...	...
80864	—	"	"	"	"	wood screws $\frac{1}{2}$ " No. 5, for machines with S.D.A.
*15404	—	<b>Trade Mark</b>	...	...	...	...
15405	—	"	"	Rivet	...	...

# No. 31K17 MACHINE

**DROP FEED.                      ROLLER PRESSER.                      FOR LEATHER WORK.**

This machine is the same as 31K15 with the following exceptions :—

No.	Plate							
12197	539	<b>Feed Cam and Feed Lifting Eccentric</b>	with 446c	...	...	...	...	...
446c	566	" " " " "	" Set Screw	...	...	...	...	...
12436	551	<b>Feed Dog for Leather</b>	(11 teeth, 18 teeth to the inch)	...	...	...	...	...
20011	549	" " " "	(11 " )	...	...	...	...	...
20323	551	" " "	(8 teeth, 12 teeth to the inch)	...	...	...	...	...
<i>NOTE.—No. 12436 is sent with this machine, unless otherwise specified on order.</i>								
12123	2508	<b>Feed Forked Connection</b>	...	...	...	...	...	...
12374	535	<b>Feed Lifting Rock Shaft</b>	...	...	...	...	...	...
20001	—	<b>Feed Lifting Rock Shaft, complete,</b>	Nos. 12374, 12376 and	...	...	...	...	16556
16556	539	" " " "	Crank (back) with 462c	...	...	...	...	...
2049	542	" " " "	" ( " ) Pin	...	...	...	...	...
462c	566	" " " "	" ( " ) Set Screw	...	...	...	...	...
12448	537	<b>Needle Bar</b>	(hollow) ...	...	...	...	...	...
44216	1549	" " "	Thread Guard	...	...	...	...	...
2167	542	<b>Needle Clamp</b>	with 196f	...	...	...	...	...
196f	566	" " "	Screw	...	...	...	...	...
44004	—	<b>Oil Cup</b>	...	...	...	...	...	...
44214	—	" " "	Extension	...	...	...	...	...
44005	—	" " "	44214 with 24075	...	...	...	...	...
24075	—	" " "	Post	...	...	...	...	...
44006	—	" " "	Packing (felt)	...	...	...	...	...
44007	541	<b>Oil Cup, complete,</b>	Nos. 44004 to 44006	...	...	...	...	...
19441	537	<b>Presser Bar</b>	(hollow) ...	...	...	...	...	...
19464	—	<b>Presser Bar, complete,</b>	Nos. 190d, 19441 to 19443 and 24445	...	...	...	...	...



No.	Plate							
19165	2370	<b>Presser Foot</b>	...	...	...	...	...	...
20114	2370	" "	...	...	...	...	...	...
20271	2370	" "	for Beading and Top Stitching					
20272	2370	" "	" Shoe Tips and Gores					
20273	2370	" "	" Inside Stays					
20274	2370	" "	" Outside Stays					

NOTE.—*Presser Feet are only supplied with this machine when specified on order and at an extra charge.*

51801	1246	<b>Roller,</b>	$\frac{9}{16}$ " diam., coarse, with 388d and 1550j	...	...
51802	—	"	$\frac{9}{16}$ " " fine, " 388d " 1550j	...	...
1868	1246	"	$\frac{7}{8}$ " " coarse, " 652d " 1528j	...	...
1841	1246	"	$\frac{7}{8}$ " " fine, " 652d " 1528j	...	...
1911	1246	"	$1\frac{1}{4}$ " " coarse, " 386d " 1528j	...	...
1912	1246	"	$1\frac{1}{4}$ " " fine, " 386d " 1528j	...	...
24903	1246	"	Arm for 24904 and 24905	...	...
16572	1246	"	" " " 16579 " 16580	...	...
16573	1246	"	" " " 16581 " 16582	...	...
19442	540	"	" Bracket	...	...
19443	540	"	" " " Position Collar with 456c	...	...
456c	2371	"	" " " " Set Screw	...	...
987e	2371	"	" " " " Screw Stud	...	...
19444	2370	"	" " " " Spring	...	...
19445	2370	"	" " " " Pin	...	...
19446	2370	"	" " " " Stud	...	...
24445	—	<b>Roller Arm Bracket Spring Stud,</b>	complete, Nos. 987e and 19444 to 19446	...	...
24904	—	<b>Roller Presser,</b>	$\frac{9}{16}$ " coarse roller, complete, Nos. 24903 and 51801	...	...
24905	—	<b>Roller Presser,</b>	$\frac{9}{16}$ " fine roller, complete, Nos. 24903 and 51802	...	...
16579	—	<b>Roller Presser,</b>	$\frac{7}{8}$ " coarse roller, complete, Nos. 1868 and 16572	...	...
16580	—	<b>Roller Presser,</b>	$\frac{7}{8}$ " fine roller, complete, Nos. 1841 and 16572	...	...
16581	—	<b>Roller Presser,</b>	$1\frac{1}{4}$ " coarse roller, complete, Nos. 1911 and 16573	...	...
16582	—	<b>Roller Presser,</b>	$1\frac{1}{4}$ " fine roller, complete, Nos. 1912 and 16573	...	...

NOTE.—*No. 16580 is sent with this machine, unless otherwise specified on order.*

No.	Plate								
190d	566	<b>Roller Presser Screw</b>	...	...	...	...	...	...	...
388d	566	"	Screw for 51801 and 51802	...	...	...	...	...	...
386d	566	"	" " 1911 and 1912	...	...	...	...	...	...
652d	1255	"	" " 1841 " 1868	...	...	...	...	...	...
1550j	567	"	" Nut for 51801 and 51802	...	...	...	...	...	...
1528j	2509	"	" " 1841, 1868, 1911 and 1912	...	...	...	...	...	...
12438	551	<b>Throat Plate</b>	(large oblong needle hole) for 12436 and 20323	...	...	...	...	...	...
20192	—	"	" (small " " " ) " 12436 " 20323	...	...	...	...	...	...
12452	551	"	" ( " " " " ) " 12436 " 20323,	...	...	...	...	...	...
			raised at needle hole for top stitching	...	...	...	...	...	...
20012	549	"	" (large oblong needle hole) for 20011	...	...	...	...	...	...
20293	—	"	" (small " " " ) " 20011	...	...	...	...	...	...

*NOTE.—No. 12438 is sent with this machine, unless otherwise specified on order.*

# No. 31K20 MACHINE

**DROP FEED. THROAT PLATE FLUSH WITH BED,  
WITH BOBBIN No. 19131. FOR CLOTH WORK.**

This machine is the same as 31K15 with the following exceptions :—

No.	Plate								
12369	551	<b>Feed Dog,</b>	for Cloth	(12 teeth, 12 teeth to the inch)	...				
12457	551	" "	" "	(16 " 16 " " " " )	...				
12370	550	" "	" "	(15 " 16 " " " " )	...				
43979	2369	" "	" "	(21 " 22 " " " " )	...				
12425	552	" "	" "	... ..	...				
12450	553	" "	" "	(11 teeth, 18 teeth to the inch)	...				
20348	1252	" "	" "	Chiffon (22 teeth, 36 teeth to the inch)	...				
20106	1228	" "	" "	Cloth ... ..	...				
20119	1228	" "	" "	Heavy Work on Duck, Overalls, etc.	...				
20158	1228	" "	" "	Shirt Work ... ..	...				
20151	1252	" "	" "	" " (bevelled for hemmer, 13 teeth, 14 teeth to the inch)	...				
44144	2369	" "	" "	(bevelled for hemmer, 22 teeth, 24 teeth to the inch)	...				
20117	1252	" "	" "	for Shirt Work (bevelled for hemmer, 16 teeth, 16 teeth to the inch)	...				
20138	1252	" "	" "	" " " " " ( " " hemmer, 13 teeth, 12 teeth to the inch)	...				
20162	1252	" "	" "	" " " " " ( " " hemmer, 17 teeth, 16 teeth to the inch)	...				
20147	1252	" "	" "	(4 teeth at right of needle, square corner)	...				
12481	550	" "	" "	(18 teeth, 16 teeth to the inch) ...	...				
43978	2369	" "	" "	(24 " 22 " " " " ) ...	...				
44136	554	" "	" "	for Tailor Work ... ..	...				

*NOTE.—No. 44136 is sent with this machine, unless otherwise specified on order.*

12143	2370	<b>Presser Foot</b>	for 12369, 12457 and 20106	...	...	...
12335	1250	" "	(narrow) for 12369, 12457 and 20106	...	...	...
12258	1250	" "	(wide) for 12369, 12457 and 20106	...	...	...
12142	2370	" "	for 12370 and 43979	...	...	...
20458	1250	" "	" 44136 ... ..	...	...	...
12259	2370	" "	" 12425 ... ..	...	...	...
12144	2370	" "	" 20117, 20138, 20147, 20151, 20158 and 20162	...	...	...
12260	2370	" "	" 12450, 20147 and 20348	...	...	...
12474	554	" "	" 20138 and 20162	...	...	...
20342	1250	" "	" 12450 and 20348	...	...	...
20343	1250	" "	with guide on bottom to the right of needle hole, for 12369, 12450, 12457 and 20348	...	...	...
12261	1250	" "	for 12481 and 43978	...	...	...



No.	Plate						
62527	1549	<b>Presser Foot Hinge Pin</b>	...	...	...	...	...
24544	—	" " Plate	...	...	...	...	...
24982	—	" " Shank	...	...	...	...	...
26231	—	" " Spring	...	...	...	...	...
24983	1250	<b>Presser Foot</b> (spring hinged), complete, Nos. 24544, 24982, 26231 and 62527 for 12425, 12481, 20119 and 44136	...	...	...	...	...
7298	1549	<b>Presser Foot Hinge Pin</b>	...	...	...	...	...
19334	—	" " Plate	...	...	...	...	...
19335	—	" " Shank	...	...	...	...	...
19336	1250	<b>Presser Foot</b> (hinged), complete, Nos. 7298, 19334 and 19335, for 12370 and 43979	...	...	...	...	...
7298	1549	<b>Presser Foot Hinge Pin</b> ...	...	...	...	...	...
20268	—	" " Plate	...	...	...	...	...
20269	—	" " Shank	...	...	...	...	...
20270	1250	<b>Presser Foot</b> (hinged), complete, Nos. 7298, 20268 and 20269, for 12369, 12457 and 20106	...	...	...	...	...
2532	1549	<b>Presser Foot Hinge Pin</b> ...	...	...	...	...	...
20310	—	" " Plate	...	...	...	...	...
19223	—	" " Shank	...	...	...	...	...
20311	1250	<b>Presser Foot</b> (hinged), complete, Nos. 2532, 19223 and 20310 for 20117, 20138, 20147, 20151, 20158 and 20162	...	...	...	...	...
2532	1549	<b>Presser Foot Hinge Pin</b> ...	...	...	...	...	...
20344	—	" " Plate	...	...	...	...	...
20345	—	" " Shank	...	...	...	...	...
26231	—	" " Spring	...	...	...	...	...
20346	1250	<b>Presser Foot</b> (spring hinged), complete, Nos. 2532, 20344, 20345, and 26231, for 20117, 20138, 20147, 20151, 20158 and 20162	...	...	...	...	...

*NOTE.—No. 24983 is sent with this machine, unless otherwise specified on order.*

19131	1012	<b>Shuttle Bobbin</b>	...	...	...	...	...
20649	1249	" " Case Latch	...	...	...	...	...
20650	1249	" " " Hinge, Nos. 2973, 2974 and 20649	...	...	...	...	...
24323	1012	" " " Position Plate	...	...	...	...	...
20756	1012	<b>Shuttle Bobbin Case</b> , with 591f, 592e, 2975, 20650 and 20654	...	...	...	...	...
20757	1012	<b>Shuttle Body</b> ...	...	...	...	...	...
20654	1012	" Tension Spring	...	...	...	...	...
20758	1249	<b>Shuttle</b> , $1\frac{11}{16}$ " diam., complete, Nos. 19131, 20756 and 20757	...	...	...	...	...
19406	1012	<b>Shuttle Driver</b> with two 1266c	...	...	...	...	...

No.	Plate							
2419	1012	<b>Shuttle Race Back</b>	...	...	...	...	...	...
24324	—	" " Body	...	...	...	...	...	...
24999	—	" " "	24324, with 24009, two each	1053d and 2532				
24009	1012	" " Cap	...	...	...	...	...	...
24325	1012	<b>Shuttle Race, complete,</b>	Nos. 907d, 2419, 2533, 24323, 24999					
		and two 391j	...	...	...	...	...	...
12411	551	<b>Throat Plate</b> (large needle hole) for	12369 and 12457					...
12449	—	" " (small " " )	" 12369 " 12457					...
12412	550	" " (large " " )	" 12370 " 43979					...
12426	552	" " ( " " " )	" 12425					...
12466	—	" " (small " " )	" 12425					...
12464	553	" " (large " " )	" 12450 and 20348					...
12451	—	" " (small " " )	" 12450 " 20348					...
20315	—	" " (large " " )	" 20106					...
20107	1228	" " (small " " )	" 20106					...
20120	1228	" " (large oblong needle hole) for	20119					...
20187	—	" " (small " " " " )	" 20119					...
19497	1231	" " (large needle hole) for	20117					...
19405	—	" " (small " " )	" 20117					...
19409	1231	" " (large " " )	" 20138 and 20162					...
19410	—	" " (small " " )	" 20138 " 20162					...
19415	1231	" " (large " " )	" 20151 " 44144					...
19416	—	" " (small " " )	" 20151 " 44144					...
19418	1228	" " (large " " )	" 20158					...
19419	—	" " (small " " )	" 20158					...
19412	1231	" " (large " " )	" 20147					...
19413	—	" " (small " " )	" 20147					...
12482	—	" " (large " " )	" 12481 and 43978					...
12483	550	" " (small " " )	" 12481 " 43978					...
44137	554	" " (large " " )	" 44136					...
44138	—	" " (small " " )	" 44136					...

NOTE.—No. 44137 is sent with this machine, unless otherwise specified on order.

# No. 31K22 MACHINE

DROP FEED, THROAT PLATE FLUSH WITH BED  
HIGH LIFT PRESSER, WITH BOBBIN No. 19131  
FOR CLOAKS AND OTHER HEAVY CLOTH WORK

This machine is the same as 31K15 with the following exceptions :—

No.	Plate						
19229	1013	Needle Bar	(hollow) for high lift	...	...	...	...
24101	1247	Needle Clamp Body	...	...	...	...	...
24102	1013	"	" Thread Guard	...	...	...	...
651d	1013	"	" " Screw	...	...	...	...
24103	1013	Needle Clamp,	complete, Nos. 651d, 808f, 24101 and 24102	...	...	...	...
43917	1013	Presser Bar Guide Bracket	with 453c	...	...	...	...
5990	1013	"	" Lifter	...	...	...	...
19131	1012	Shuttle Bobbin	...	...	...	...	...
20649	1249	"	" Case Latch	...	...	...	...
20650	1249	"	" Hinge, Nos. 2973, 2974 and 20649	...	...	...	...
24323	1012	"	" Position Plate	...	...	...	...
20756	1012	Shuttle Bobbin Case,	with 591f, 592e, 2975, 20650 and 20654	...	...	...	...
20757	1012	Shuttle Body	...	...	...	...	...
20654	1012	"	Tension Spring	...	...	...	...
20758	1249	Shuttle,	1 $\frac{11}{16}$ " diam., complete, Nos. 19131, 20756 and 20757	...	...	...	...
19406	1012	Shuttle Driver	with two 1266c	...	...	...	...
2419	1012	Shuttle Race Back	...	...	...	...	...
24324	—	"	" Body	...	...	...	...
24999	—	"	" " 24324 with 24009, two each 1053d and 2532	...	...	...	...
24009	1012	"	" Cap	...	...	...	...
24325	1012	Shuttle Race,	complete, Nos. 907d, 2419, 2533, 24323, 24999 and two 391j	...	...	...	...
43980	1013	Tension Releasing Lever	...	...	...	...	...
43947	1013	Thread Take-up Crank	...	...	...	...	...
43991	—	Thread Take-up,	complete, Nos. 775e, 11204, 12410, 43947 and 43997	...	...	...	...



# No. 31K48 MACHINE

WHEEL FEED.                      ROLLER PRESSER.                      FOR LEATHER WORK.

This machine is the same as 31K15 with the following exceptions:—

No.	Plate								
*93820	—	<b>Bed</b>	...	...	...	...	...	...	...
5570	2508	<b>Feed Eccentric</b>	with 446c	...	...	...	...	...	...
446c	566	"	" Set Screw	...	...	...	...	...	...
12429	2508	<b>Feed Forked Connection</b>		...	...	...	...	...	...
62508	1549	"	Regulator ...	...	...	...	...	...	...
93821	537	"	Rock Shaft	...	...	...	...	...	...
93822	—	"	" " " complete, Nos. 29633 and 93821	...	...	...	...	...	...
2258	537	<b>Feed Wheel</b>	in place of 12457	...	...	...	...	...	...
15022	537	"	" 2258, coarse teeth	...	...	...	...	...	...

*NOTE.—No. 2258 is sent with this machine, unless otherwise specified on order.*

93823	2509	<b>Feed Wheel Driver</b>	with 2266	...	...	...	...	...	...
93390	2509	"	" " " Block (inside)	...	...	...	...	...	...
SS340c	2371	"	" " " ( " ) Screw Stud	...	...	...	...	...	...
243c	2371	"	" " " ( " ) " " End Screw	...	...	...	...	...	...
93391	2509	"	" " " (outside)	...	...	...	...	...	...
SS339c	2371	"	" " " ( " ) Screw Stud	...	...	...	...	...	...
44102	1249	"	" " " Link	...	...	...	...	...	...
61f	1255	"	" " " Hinge Screw	...	...	...	...	...	...
1655e	1255	"	" " " " " Nut...	...	...	...	...	...	...
2265	2509	"	" " " Spring	...	...	...	...	...	...
2266	2509	"	" " " Hook	...	...	...	...	...	...
93824	—	<b>Feed Wheel Driver</b> ,	complete, Nos. 243c, SS339c, SS340c, 93390, 93391 and 93823	...	...	...	...	...	...
93825	537	<b>Feed Wheel Frame</b>	with 453c	...	...	...	...	...	...
93826	2509	"	" " " Adjuster	...	...	...	...	...	...
93827	2509	"	" " " Link	...	...	...	...	...	...
999c	2371	"	" " " Hinge Screw	...	...	...	...	...	...
SS353c	2371	"	" " " Screw Stud	...	...	...	...	...	...
SS79	2371	"	" " " Thumb Screw	...	...	...	...	...	...
453c	566	"	" " " Set Screw	...	...	...	...	...	...

No.	Plate								
20006	537	<b>Feed Wheel Frame Shaft</b>	...	...	...	...	...	...	...
307c	566	" " " " Screw Centre (2)	...	...	...	...	...	...	...
1513j	567	" " " " " " Nut (2)	...	...	...	...	...	...	...
3114	2509	" " Friction Plate	...	...	...	...	...	...	...
151c	2509	" " " " Screw	...	...	...	...	...	...	...
93828	2509	" " " Spring	...	...	...	...	...	...	...
183c	2509	" " " " Screw	...	...	...	...	...	...	...
2254	2509	" " Retaining Clutch	...	...	...	...	...	...	...
2255	2509	" " " " Cap	...	...	...	...	...	...	...
183c	2509	" " " " " Screw	...	...	...	...	...	...	...
2256	2509	" " " " Spring	...	...	...	...	...	...	...
240d	566	" " " " " Screw	...	...	...	...	...	...	...
93829	—	<b>Feed Wheel Frame, complete, Nos. SS79, 151c, 240d, 999c, 2254 to 2256, 2258, 3114, 93825 to 93828 and two 183c</b>	...	...	...	...	...	...	...
12448	537	<b>Needle Bar (hollow)</b>	...	...	...	...	...	...	...
44216	1549	" " Thread Guard	...	...	...	...	...	...	...
2167	542	<b>Needle Clamp with 196f</b>	...	...	...	...	...	...	...
196f	566	" " Screw	...	...	...	...	...	...	...
44004	—	<b>Oil Cup</b>	...	...	...	...	...	...	...
44214	—	" " Extension	...	...	...	...	...	...	...
44005	—	" " " 44214 with 24075	...	...	...	...	...	...	...
24075	—	" " " Post	...	...	...	...	...	...	...
44006	—	" " Packing (felt)	...	...	...	...	...	...	...
44007	541	<b>Oil Cup, complete, Nos. 44004 to 44006</b>	...	...	...	...	...	...	...
19441	537	<b>Presser Bar (hollow)</b>	...	...	...	...	...	...	...
19464	—	<b>Presser Bar, complete, Nos. 190d, 19441 to 19443 and 24445</b>	...	...	...	...	...	...	...
19165	2370	<b>Presser Foot</b>	...	...	...	...	...	...	...
20114	2370	" " "	...	...	...	...	...	...	...
<i>NOTE.—Presser Feet are only supplied with this machine when specified on order and at an extra charge.</i>									
51801	1246	<b>Roller, <math>\frac{9}{16}</math>" diam., coarse, with 388d and 1550j</b>	...	...	...	...	...	...	...
51802	—	" $\frac{9}{16}$ " " fine, " 388d " 1550j	...	...	...	...	...	...	...
1868	1246	" $\frac{7}{8}$ " " coarse, " 652d " 1528j	...	...	...	...	...	...	...
1841	1246	" $\frac{7}{8}$ " " fine, " 652d " 1528j	...	...	...	...	...	...	...
1911	1246	" $1\frac{1}{4}$ " " coarse, " 386d " 1528j	...	...	...	...	...	...	...
1912	1246	" $1\frac{1}{4}$ " " fine, " 386d " 1528j	...	...	...	...	...	...	...
24903	1246	" Arm for 24904 and 24905	...	...	...	...	...	...	...
16572	1246	" " " 16579 " 16580	...	...	...	...	...	...	...
16573	1246	" " " 16581 " 16582	...	...	...	...	...	...	...
19442	540	" " Bracket	...	...	...	...	...	...	...
19443	540	" " " Position Collar with 456c	...	...	...	...	...	...	...
456c	2371	" " " " " Set Screw	...	...	...	...	...	...	...

No.	Plate	
987e	2371	<b>Roller Arm Bracket Screw Stud</b> ... ..
19444	2370	" " " <b>Spring</b> ... ..
19445	2370	" " " " <b>Pin</b> ... ..
19446	2370	" " " " <b>Stud</b> ... ..
24445	—	<b>Roller Arm Bracket Spring Stud, complete, Nos. 987e and 19444 to 19446</b> ... ..
24904	—	<b>Roller Presser, <math>\frac{9}{16}</math>" coarse roller, complete, Nos. 24903 and 51801</b> ... ..
24905	—	<b>Roller Presser, <math>\frac{9}{16}</math>" fine roller, complete, Nos. 24903 and 51802</b> ... ..
16579	—	<b>Roller Presser, <math>\frac{7}{8}</math>" coarse roller, complete, Nos. 1868 and 16572</b> ... ..
16580	—	<b>Roller Presser, <math>\frac{7}{8}</math>" fine roller, complete, Nos. 1841 and 16572</b> ... ..
16581	—	<b>Roller Presser, <math>1\frac{1}{4}</math>" coarse roller, complete, Nos. 1911 and 16573</b> ... ..
16582	—	<b>Roller Presser, <math>1\frac{1}{4}</math>" fine roller, complete, Nos. 1912 and 16573</b> ... ..

*NOTE.—No. 16580 is sent with this machine, unless otherwise specified on order.*

190d	566	<b>Roller Presser Screw</b> ... ..
388d	566	" <b>Screw for 51801 and 51802</b> ... ..
386d	566	" " " <b>1911 and 1912</b> ... ..
652d	1255	" " " <b>1841 " 1868</b> ... ..
1550j	567	" " <b>Nut for 51801 and 51802</b> ... ..
1528j	2509	" " " " <b>1841, 1868, 1911 and 1912</b> ... ..
62749	1552	<b>Shuttle Race Body</b> ... ..
62751	—	" " " <b>62749, with 5709, two each 662d and 2532</b> ... ..
5709	543	" " <b>Cap</b> ... ..
662d	566	" " " <b>Screw</b> ... ..
62753	1552	<b>Shuttle Race, complete, Nos. 907d, 2531, 2533, 24412, 62751 and two 391j</b> ... ..
1208e	2371	<b>Shuttle Race Slide Spring Screw</b> ... ..
24810	2508	<b>Shuttle Race Slide, complete, Nos. 4307, 12431 and two 1208e</b> ... ..
20262	549	<b>Throat Plate</b> (large oblong needle hole) for 2258 and 15022 ... ..
20263	—	" " (medium oblong needle hole) for 2258 and 15022 ... ..
20264	—	" " (small oblong needle hole) for 2258 and 15022 ... ..
20165	549	" " (small oblong needle hole) for 2258 and 15022, raised at needle hole for top stitching ... ..

*NOTE.—No. 20263 is sent with this machine, unless otherwise specified on order.*

80865	—	<b>Drip Pan with four wood screws <math>\frac{1}{2}</math>" No. 5</b> ... ..
-------	---	--



# PARTS COMPLETE

## FOR

### No. 31K32 MACHINE

DROP FEED (REVERSIBLE), WITH BOBBIN No. 2996  
FOR CLOTH WORK

No.	Plate	
*20313	—	Arm with 11104, 11119, 12453, 12454, 15404, 24131 and two 15405
8582	542	" Dowel Pin (2) ... ..
12453	540	" Oil Tube for intermediate bearing ... ..
12454	540	" " " with 52045 for oiling 12409 ... ..
11119	540	" " " " 52045 " " 12408 ... ..
24131	540	" " " " 52045 " " 12197 ... ..
52045	—	" " " Packing (cotton wick) ... ..
748e	567	" Screw (back) (2) ... ..
854e	2371	" " (front) (2) ... ..
12427	535	Arm Shaft ... ..
*11104	539	" " Bushing (front) ... ..
12357	539	" " Flanged Bushing (back) ... ..
448c	566	" " " " ( " ) Set Screw ... ..
144c	566	" " Screw ... ..
12480	542	" Side Cap ... ..
219f	566	" " " Screw ... ..
12193	544	" " Cover ... ..
51224d	2371	" " " Thumb Screw ... ..
12403	544	" Spool Pin and Thread Eyelet (2) ... ..
12358	535	Balance Wheel (power, light rim, $2\frac{3}{16}$ " pulley) with two 448c...
4370	535	" " (stand, heavy rim, $2\frac{3}{4}$ " " ) " " 448c...
85200	535	" " ( " " " $2\frac{1}{2}$ " " ) " " 448c...
2135	535	" " ( " " " $2\frac{1}{2}$ " " ) for 3022j ... ..
2862	535	" " ( " " " 3" " ) " 3022j ... ..
24297	536	" " Oil Cover for 2135 and 2862 ... ..
210d	566	" " " " Screw ... ..
448c	566	" " Set Screw ... ..
*12360	—	Bed ... ..
256w	566	Clamp Stop Motion Clamp Screw ... ..
248a	566	" " " " Stop Screw ... ..
2020	539	" " " " Washer ... ..
*3023	—	" " " " Flanged Bushing ... ..
4933	539	" " " " " with two 462c ... ..
2022	1249	" " " " " Pin ... ..
462c	566	" " " " " Set Screw ... ..
3022j	—	Clamp Stop Motion, complete, Nos. 248a, 256w, 2020 and 4933

No.	Plate								
20197	535	<b>Crank Connecting Rod</b>	with 20198 and two 896e	...	...	...	...	...	...
*20198	—	"	"	"	Cap	...	...	...	...
896e	567	"	"	"	"	Screw	...	...	...
908c	567	"	"	"	"	Hinge Screw	...	...	...
1619e	567	"	"	"	"	"	Nut	...	...
20057	535	<b>Face Plate</b>	...	...	...	...	...	...	...
44181	1249	"	"	"	Thread Guard (lower)	...	...	...	...
12150	—	"	"	"	"	( " )	44181 with 12152	...	...
12152	542	"	"	"	"	( " )	Rivet	...	...
45874	2369	"	"	"	"	( " )	upper	...	...
139615	—	"	"	"	"	( " )	45874 with 125424	...	...
125424	—	"	"	"	"	( " )	Rivet	...	...
20058	—	<b>Face Plate, complete, Nos. 12150, 20057 and 139615</b>	...	...	...	...	...	...	...
190d	566	"	"	"	Screw	...	...	...	...
51224d	2371	"	"	"	Thumb Screw	...	...	...	...
12368	542	<b>Feed Bar</b>	...	...	...	...	...	...	...
313c	566	"	"	"	Screw Centre (2)	...	...	...	...
1519e	567	"	"	"	"	Nut (2)	...	...	...
12197	539	<b>Feed Cam and Feed Lifting Eccentric</b>	with 446c	...	...	...	...	...	...
446c	566	"	"	"	"	"	Set Screw	...	...
52165	539	<b>Feed Connecting Link</b>	...	...	...	...	...	...	...
375c	566	"	"	"	"	Hinge Screw (2)	...	...	...
1518e	567	"	"	"	"	"	Nut (2)	...	...
20304	1252	<b>Feed Dog (reversible)</b>	...	...	...	...	...	...	...
20303	1252	"	"	( " )	...	...	...	...	...
208e	566	"	"	"	Screw (2)	...	...	...	...
<i>NOTE.—No. 20304 is sent with this machine, unless otherwise specified on order.</i>									
44003	1254	<b>Feed Forked Connection</b>	...	...	...	...	...	...	...
375c	566	"	"	"	"	Hinge Screw	...	...	...
1518e	567	"	"	"	"	"	Nut	...	...
44125	1254	<b>Feed Lifting Rock Shaft</b>	...	...	...	...	...	...	...
12376	539	"	"	"	"	Crank with 157c and 1813	...	...	...
157c	566	"	"	"	"	"	Clamping Screw	...	...
1813	567	"	"	"	"	"	Roller and Stud	...	...
44126	—	<b>Feed Lifting Rock Shaft, complete, Nos. 12376 and 44125</b>	...	...	...	...	...	...	...
43976	2508	<b>Feed Lifting Rock Shaft Crank Connecting Rod</b>	with 43977	...	...	...	...	...	...
							and two 966e	...	...
*43977	—	"	"	"	"	"	"	Cap	...
966e	1255	"	"	"	"	"	"	"	Screw

No.	Plate									
375c	566	<b>Feed Lifting Rock Shaft Crank Connecting Rod Hinge Screw</b>								
1518e	567	" " " " " " " " " " "								
307c	566	" " " " Screw Centre (2)								
1513j	567	" " " " " " Nut (2)								
834d	1255	<b>Feed Regulating Thumb Screw</b>								
12332	1246	<b>Feed Regulator and Reverser</b>								
140139e	—	" " " " Hinge Screw								
139603	2369	" " " " " Friction Washer								
12333	1248	" " " Handle								
12323	1249	" " " Friction Spring								
835d	1255	" " " Screw								
12379	535	<b>Feed Rock Shaft</b>								
29633	539	" " " Crank with 157c								
157c	566	" " " Clamping Screw								
307c	566	" " " Screw Centre (2)								
1513j	567	" " " " Nut (2)								
20333	—	<b>Feed Rock Shaft, complete, Nos. 12379 and 29633</b>								
25866	542	<b>Guide</b>								
732d	566	" Thumb Screw								
12381	535	<b>Needle Bar (hollow)</b>								
12382	540	" " Connecting Link with 794e								
43997	—	" " " " 12382 with 12384								
794e	567	" " " Adjusting Screw								
*12383	540	" " " Stud								
12384	—	" " " " 12383 with 453c and 1904								
1904	567	" " " Roller (roller only)								
453c	566	" " " Set Screw								
20188	540	" " Crank with 858c and 1065c								
1065c	567	" " " Position Screw								
858c	567	" " " Set Screw								
93811	—	" " Lubricating Wick (2)								
936e	567	" " Screw Bushing (2)								
4302	542	" " Thread Guard								
233d	566	" " " " Screw								
4303	542	<b>Needle Clamp with 808f</b>								
808f	567	" " Screw								
24104	541	<b>Oscillating Rock Shaft</b>								
12388	537	" " " Hinge Pin								
448c	566	" " " " Set Screw								
4784	—	" " " Oil Pad								
24105	—	<b>Oscillating Rock Shaft, complete, Nos. 4784, 12388 and 24104</b>								



No.	Plate								
12389	535	<b>Oscillating Shaft</b>	...	...	...	...	...	...	...
19496	539	" "	Crank for 19447-	...	...	...	...	...	...
44134	2369	" "	" " 44135	...	...	...	...	...	...
3093	1549	" "	" Pin	...	...	...	...	...	...
457c	1255	" "	" Set Screw for 19447	...	...	...	...	...	...
453c	566	" "	" " " 44135	...	...	...	...	...	...
19448	544	" "	" Slide Block	...	...	...	...	...	...
226d	1255	" "	" " " Cap Screw	...	...	...	...	...	...
12424	541	" "	" " " " Washer	...	...	...	...	...	...
988c	567	" "	" " " Screw Stud	...	...	...	...	...	...
1518e	567	" "	" " " " Nut	...	...	...	...	...	...
19449	—	" "	" " " complete, Nos. 226d, 988c, 12424 and 19448	...	...	...	...	...	...
*19447	—	<b>Oscillating Shaft Crank</b> , complete, Nos. 457c, 1518e, 19449 and 19496	...	...	...	...	...	...	...
44135	—	<b>Oscillating Shaft Crank</b> , complete, Nos. 1518e, 19449, 44134 and two 453c	...	...	...	...	...	...	...
12391	535	<b>Presser Bar</b> (hollow)	...	...	...	...	...	...	...
20059	540	" "	Guide Bracket with 453c	...	...	...	...	...	...
453c	566	" "	" " Set Screw	...	...	...	...	...	...
2062	544	" "	Lifter	...	...	...	...	...	...
689c	566	" "	" Screw	...	...	...	...	...	...
1520r	567	" "	" Nut	...	...	...	...	...	...
12327	540	" "	Lifting and Releasing Lever Bracket	...	...	...	...	...	...
11167	537	" "	Spring (light)	...	...	...	...	...	...
11170	541	" "	" Washer	...	...	...	...	...	...
12144	2370	<b>Presser Foot</b> for 20304	...	...	...	...	...	...	...
20328	1250	" "	" 20303	...	...	...	...	...	...
20038	1250	" "	" 20303	...	...	...	...	...	...
7298	1549	" "	Hinge Pin	...	...	...	...	...	...
19334	—	" "	Plate	...	...	...	...	...	...
19335	—	" "	Shank	...	...	...	...	...	...
19336	1250	<b>Presser Foot</b> (hinged), complete, Nos. 7298, 19334 and 19335, for 12370 and 43979	...	...	...	...	...	...	...
190d	566	<b>Presser Foot Screw</b>	...	...	...	...	...	...	...
<i>NOTE.—No. 12144 is sent with this machine but No. 19336 will be supplied without extra charge, if specified on order.</i>									
688j	567	<b>Pressure Regulating Thumb Screw</b>	...	...	...	...	...	...	...
2996	543	<b>Shuttle Bobbin</b>	...	...	...	...	...	...	...
15141	543	" "	Case Hinge, Nos. 2973, 2974 and 15140	...	...	...	...	...	...

No.	Plate								
15140	543	<b>Shuttle Bobbin Case Latch</b>	...	...	...	...	...	...	...
2973	543	" " " "	Lever	...	...	...	...	...	...
2974	543	" " " "	" Fulcrum Pin	...	...	...	...	...	...
2975	543	" " " "	Spring	...	...	...	...	...	...
592e	566	" " " "	Stop Screw	...	...	...	...	...	...
24412	543	" " " "	Position Plate	...	...	...	...	...	...
391j	566	" " " "	" Screw	...	...	...	...	...	...
62740	1549	<b>Shuttle Bobbin Case with 591f, 592e, 2975, 15141 and 15278</b>	...	...	...	...	...	...	...
12393	543	<b>Shuttle Body</b>	...	...	...	...	...	...	...
591f	566	" Tension Regulating Screw	...	...	...	...	...	...	...
15278	1549	" " Spring	...	...	...	...	...	...	...
19292	543	<b>Shuttle, 1 <math>\frac{11}{16}</math>" diam., complete, Nos. 2996, 12393 and 62740</b>	...	...	...	...	...	...	...
*12394	—	<b>Shuttle Driver</b>	...	...	...	...	...	...	...
12444	543	" " 12394 with two 1266c	...	...	...	...	...	...	...
2049	542	" " Pin	...	...	...	...	...	...	...
1266c	2371	" " Set Screw	...	...	...	...	...	...	...
2531	543	<b>Shuttle Race Back</b>	...	...	...	...	...	...	...
2532	1549	" " " Position Pin	...	...	...	...	...	...	...
2533	543	" " " Spring	...	...	...	...	...	...	...
907d	567	" " " " Screw	...	...	...	...	...	...	...
24413	—	" " " Body	...	...	...	...	...	...	...
24962	—	" " " 24413 with 24414, two each 1053d and 2532	...	...	...	...	...	...	...
24414	543	" " " Cap	...	...	...	...	...	...	...
1053d	567	" " " " Screw	...	...	...	...	...	...	...
24415	537	<b>Shuttle Race, complete, Nos. 907d, 2531, 2533, 24412, 24962 and two 391j</b>	...	...	...	...	...	...	...
145d	566	<b>Shuttle Race Screw (2)</b>	...	...	...	...	...	...	...
12431	—	<b>Shuttle Race Slide</b>	...	...	...	...	...	...	...
4307	544	" " " Spring	...	...	...	...	...	...	...
725e	1255	" " " " Screw	...	...	...	...	...	...	...
12432	544	<b>Shuttle Race Slide, complete, Nos. 4307, 12431 and two 725e</b>	...	...	...	...	...	...	...
20060	544	<b>Slack Thread Regulator</b>	...	...	...	...	...	...	...
225f	566	" " " Adjusting Screw	...	...	...	...	...	...	...

No.	Plate							
2102	1013	<b>Tension Disc</b>	...	...	...	...	...	...
1560c	567	"	Regulating Thumb Nut	...	...	...	...	...
32572	1013	"	Releasing Disc	...	...	...	...	...
3044	1013	"	"	Lever	...	...	...	...
2398	542	"	"	"	Hinge Pin	...	...	...
12329	542	"	"	"	Spring	...	...	...
32574	1013	"	"	"	Pin	...	...	...
50327c	2371	"	Screw Stud	...	...	...	...	...
44141	—	"	"	"	50327c with 1560c	...	...	...
43945	1013	"	Spring	...	...	...	...	...
44118	—	<b>Tension, complete, Nos. 7336, 32572, 32574, 43945, 43946,</b>						
		44141 and two 2102	...	...	...	...	...	...
52454	1246	<b>Thread Retainer</b>	...	...	...	...	...	...
624c	1255	"	"	Set Screw	...	...	...	...
12404	540	<b>Thread Take-up Crank</b>	...	...	...	...	...	...
3094	544	"	"	"	Wedge	...	...	...
690e	566	"	"	"	"	Screw	...	...
12408	540	<b>Thread Take-up Lever</b>	...	...	...	...	...	...
775e	566	"	"	"	Cap Screw	...	...	...
12166	544	"	"	"	Hinge Pin	...	...	...
12409	540	"	"	"	Link	...	...	...
1204	540	"	"	"	"	Hinge Pin	...	...
435c	2371	"	"	"	"	"	Set Screw	...
12410	—	<b>Thread Take-up Lever, complete, Nos. 12166, 12408 and 12409</b>						
43946	1013	<b>Thread Take-up Spring</b>	...	...	...	...	...	...
7336	1013	"	"	"	Regulator	...	...	...
448c	566	"	"	"	"	Set Screw	...	...
43990	—	<b>Thread Take-up, complete, Nos. 775e, 11204, 12404, 12410</b>						
		and 43997	...	...	...	...	...	...
12414	—	<b>Throat Plate (large needle hole) for 20304</b>	...	...	...	...	...	...
12442	550	"	"	(small " " )	"	20304	...	...
12411	551	"	"	(large " " )	"	20303	...	...
12449	—	"	"	(small " " )	"	20303	...	...
691f	566	"	"	Screw (2)	...	...	...	...
<i>NOTE.—No. 12414 is sent with this machine, unless otherwise specified on order.</i>								
139622	—	<b>Drip Pan with four ¾" wire nails</b>	...	...	...	...	...	...
80864	—	<b>Drip Pan with four wood screws ½" No. 5, for machines with</b>						
		S.D.A.						
*15404	—	<b>Trade Mark</b>	...	...	...	...	...	...
15405	—	"	"	Rivet	...	...	...	...



# PARTS COMPLETE

## FOR

### No. 31K45 MACHINE (OBSOLETE)

WHEEL FEED, ROLLER PRESSER, WITH BOBBIN No. 24051

HAS SECTIONAL SHUTTLE RACE FOR EASY  
REMOVAL OF SHUTTLE FOR CLEANING

FOR LIGHT WORK ON BOOTS AND SHOES.

No.	Plate							
*44096	—	<b>Arm</b>	with 11104, 11119, 12453, 12454, 15404, 24131 and two					15405
8582	542	"	Dowel Pin (2)	...	...	...	...	...
12453	540	"	Oil Tube, for intermediate bearing	...	...	...	...	...
12454	540	"	" " with 52045 for oiling	24099	...	...	...	...
11119	540	"	" " " " 52045	" " 24068	...	...	...	...
24131	540	"	" " " " 52045	" " 24036	...	...	...	...
52045	—	"	" " " Packing (cotton wick)	...	...	...	...	...
748e	567	"	Screw (back) (2)	...	...	...	...	...
854e	2371	"	" " (front) (2)	...	...	...	...	...
44114	1254	<b>Arm Shaft</b>	...	...	...	...	...	...
*11104	539	"	" Bushing (front)	...	...	...	...	...
12357	539	"	" Flanged Bushing (back)	...	...	...	...	...
448c	566	"	" " " ( " ) Set Screw	...	...	...	...	...
144c	566	"	" Screw	...	...	...	...	...
12480	542	"	Side Cap	...	...	...	...	...
219f	566	"	" " Screw	...	...	...	...	...
12193	544	"	" Cover	...	...	...	...	...
51224d	2371	"	" " Thumb Screw	...	...	...	...	...
12403	544	"	Spool Pin and Thread Eyelet	...	...	...	...	...
24328	—	<b>Balance Wheel</b>	(light rim, 2¼" pulley), with two 448c	...	...	...	...	...
24297	536	"	" Oil Cover	...	...	...	...	...
210d	566	"	" " " Screw	...	...	...	...	...
448c	566	"	" " Set Screw	...	...	...	...	...
*44097	—	<b>Bed</b>	...	...	...	...	...	...
24028	1253	<b>Crank Connecting Rod</b>	with 24085 and two 896e	...	...	...	...	...
*24085	—	"	" " Cap	...	...	...	...	...
896e	567	"	" " Screw	...	...	...	...	...
908c	567	"	" " Hinge Screw	...	...	...	...	...
1619e	567	"	" " " Nut	...	...	...	...	...

No.	Plate									
20057	535	<b>Face Plate</b>	...	...	...	...	...	...	...	
44181	1249	" "	Thread Guard (lower)	...	...	...	...	...	...	
12150	—	" "	" "	( " )	44181 with 12152	...	...	...	...	
12152	542	" "	" "	( " )	Rivet	...	...	...	...	
45874	2369	" "	" "	( " )	(upper)	...	...	...	...	
139615	—	" "	" "	( " )	45874 with 125424	...	...	...	...	
125424	—	" "	" "	( " )	Rivet	...	...	...	...	
20058	—	<b>Face Plate, complete, Nos. 12150, 20057 and 139615</b>							...	...
190d	566	<b>Face Plate</b>	Screw	...	...	...	...	...	...	
51224d	2371	" "	Thumb Screw	...	...	...	...	...	...	
52165	539	<b>Feed Connecting Link</b>	...	...	...	...	...	...	...	
375c	566	" "	" "	" "	Hinge Screw (2)	...	...	...	...	
1518e	567	" "	" "	" "	" "	Nut (2)	...	...	...	
62507	1549	<b>Feed Eccentric with 446c</b>	...	...	...	...	...	...	...	
446c	566	" "	" "	" "	Set Screw	...	...	...	...	
24036	539	" "	" "	" "	Sleeve	...	...	...	...	
20284	535	<b>Feed Forked Connection</b>	...	...	...	...	...	...	...	
375c	566	" "	" "	" "	Hinge Screw	...	...	...	...	
1518e	567	" "	" "	" "	" "	Nut	...	...	...	
62508	1549	<b>Feed Regulator</b>	...	...	...	...	...	...	...	
1128e	567	" "	" "	" "	Hinge Screw	...	...	...	...	
818d	567	" "	" "	" "	Thumb Screw	...	...	...	...	
44099	1254	<b>Feed Rock Shaft</b>	...	...	...	...	...	...	...	
29633	539	" "	" "	" "	Crank with 157c	...	...	...	...	
157c	566	" "	" "	" "	Clamping Screw	...	...	...	...	
307c	566	" "	" "	" "	Screw Centre (2)	...	...	...	...	
1513j	567	" "	" "	" "	" "	Nut (2)	...	...	...	
44100	—	<b>Feed Rock Shaft, complete, Nos. 29633 and 44099</b>							...	...
2258	537	<b>Feed Wheel</b>	...	...	...	...	...	...	...	
44101	1249	" "	" "	" "	Driver with 2266	...	...	...	...	
44102	1249	" "	" "	" "	Link	...	...	...	...	
61f	1255	" "	" "	" "	" "	Hinge Screw	...	...	...	
1655e	1255	" "	" "	" "	" "	" "	Nut for Driver	...	...	
2265	2509	" "	" "	" "	Spring	...	...	...	...	
2266	2509	" "	" "	" "	" "	Hook	...	...	...	
44103	1253	" "	" "	" "	Frame with 453c	...	...	...	...	
50295c	1255	" "	" "	" "	Adjusting Screw	...	...	...	...	
1520r	567	" "	" "	" "	" "	" "	Nut	...	...	
453c	566	" "	" "	" "	Set Screw	...	...	...	...	

No.	Plate								
20006	537	<b>Feed Wheel</b>	Frame	Shaft	...	...	...	...	...
307c	566	"	"	"	"	Screw	Centre (2)	...	...
1513j	567	"	"	"	"	"	"	Nut (2)	...
3114	2509	"	"	Friction	Plate	(back)	...	...	...
151c	2509	"	"	"	"	( " )	Screw	...	...
2252	2509	"	"	"	"	(front)	...	...	...
183c	2509	"	"	"	"	( " )	Screw	...	...
2254	2509	"	"	Retaining	Clutch	...	...	...	...
2255	2509	"	"	"	"	"	Cap	...	...
183c	2509	"	"	"	"	"	Screw	...	...
2256	2509	"	"	"	"	"	Spring	...	...
240d	566	"	"	"	"	"	Screw	...	...
44104	—	<b>Feed Wheel</b>	<b>Frame</b> , complete,	Nos. 151c, 240d, 2252, 2254 to 2256, 2258, 3114, 44103, 50295c, two each 183c and 1520r					
25878	1234	<b>Guide</b>	...	...	...	...	...	...	...
284d	566	"	Thumb	Screw	...	...	...	...	...
24038	1247	<b>Needle Bar</b>	with 857h	...	...	...	...	...	...
52013	1247	"	"	Bushing	with 29532	...	...	...	...
1133e	1255	"	"	Set	Screw	...	...	...	...
24040	1247	"	"	Connecting	Link	with 794e	...	...	...
24894	—	"	"	"	"	24040 with 24041	...	...	...
794e	567	"	"	"	"	Adjusting	Screw	...	...
775e	566	"	"	"	"	Cap	Screw	...	...
24041	1247	"	"	"	"	Stud	with 207f	...	...
207f	558	"	"	"	"	Clamping	Screw	...	...
24052	1253	"	"	Crank	with 858c, 1036c, 1037c and 1065c	...	...	...	...
1065c	567	"	"	"	"	Position	Screw	...	...
858c	567	"	"	"	"	Set	Screw	...	...
862d	1255	"	"	"	"	Hole	Plug	Screw	...
29532	1247	"	"	"	"	Oil	Cup	...	...
857h	1255	"	"	Set	Screw	...	...	...	...
24043	1253	<b>Oscillating</b>	<b>Rock</b>	<b>Shaft</b>	...	...	...	...	...
12388	537	"	"	"	"	Hinge	Pin	...	...
448c	566	"	"	"	"	"	"	Set	Screw
4784	—	"	"	"	"	Oil	Pad	...	...
24044	—	<b>Oscillating</b>	<b>Rock</b>	<b>Shaft</b> , complete,	Nos. 4784, 12388 and 24043				
44105	1254	<b>Oscillating</b>	<b>Shaft</b>	...	...	...	...	...	...
24046	1247	"	"	Bushing	(back)	...	...	...	...
24047	1247	"	"	"	(front)	...	...	...	...



No.	Plate								
24048	1249	<b>Oscillating Shaft Crank</b>	...	...	...	...	...	...	...
2269	554	" " " Pin	...	...	...	...	...	...	...
462c	566	" " " Set Screw	...	...	...	...	...	...	...
19448	544	" " " Slide Block	...	...	...	...	...	...	...
226d	1255	" " " " " Cap Screw	...	...	...	...	...	...	...
12424	541	" " " " " " " Washer	...	...	...	...	...	...	...
1035c	1255	" " " " " Screw Stud	...	...	...	...	...	...	...
1636e	2371	" " " " " " " Nut	...	...	...	...	...	...	...
24050	—	<b>Oscillating Shaft Crank Slide Block, complete, Nos. 226d, 1035c, 12424 and 19448</b>	...	...	...	...	...	...	...
24049	—	<b>Oscillating Shaft Crank, complete, Nos. 462c, 1636e, 24048 and 24050</b>	...	...	...	...	...	...	...
19441	537	<b>Presser Bar (hollow)</b>	...	...	...	...	...	...	...
19464	—	<b>Presser Bar, complete, Nos. 190d, 19441 to 19443 and 24445</b>	...	...	...	...	...	...	...
52338	1247	<b>Presser Bar Guide Bracket with 223c and 453c</b>	...	...	...	...	...	...	...
453c	566	" " " " Set Screw	...	...	...	...	...	...	...
2062	544	" " Lifter	...	...	...	...	...	...	...
689c	566	" " " Screw	...	...	...	...	...	...	...
1520r	567	" " " " Nut	...	...	...	...	...	...	...
12327	540	" " Lifting and Releasing Lever Bracket	...	...	...	...	...	...	...
11167	537	" " Spring (light)	...	...	...	...	...	...	...
11170	541	" " " Washer	...	...	...	...	...	...	...
688j	567	<b>Pressure Regulating Thumb Screw</b>	...	...	...	...	...	...	...
1986	1246	<b>Roller, <math>\frac{7}{8}</math>" diam., fine, with 652d and 1528j</b>	...	...	...	...	...	...	...
44106	1246	" Arm	...	...	...	...	...	...	...
19442	540	" " Bracket	...	...	...	...	...	...	...
19443	540	" " " Position Collar with 456c	...	...	...	...	...	...	...
456c	2371	" " " " " Set Screw	...	...	...	...	...	...	...
987e	2371	" " " Screw Stud	...	...	...	...	...	...	...
19444	2370	" " " Spring	...	...	...	...	...	...	...
19445	2370	" " " " Pin	...	...	...	...	...	...	...
19446	2370	" " " " Stud	...	...	...	...	...	...	...
24445	—	<b>Roller Arm Bracket Spring Stud, complete, Nos. 987e and 19444 to 19446</b>	...	...	...	...	...	...	...
44107	—	<b>Roller Presser, <math>\frac{7}{8}</math>" fine roller, complete, Nos. 1986 and 44106</b>	...	...	...	...	...	...	...
190d	566	" " Screw	...	...	...	...	...	...	...
652d	1255	" Screw	...	...	...	...	...	...	...
1528j	2509	" " Nut	...	...	...	...	...	...	...

No.	Plate								
24051	1249	<b>Shuttle Bobbin</b>	...	...	...	...	...	...	...
*62780	—	" "	Case	...	...	...	...	...	...
15141	543	" "	" Hinge, Nos. 2973, 2974 and 15140	...	...	...	...	...	...
15140	543	" "	" Latch	...	...	...	...	...	...
2973	543	" "	" " Lever	...	...	...	...	...	...
2974	543	" "	" " " Fulcrum Pin	...	...	...	...	...	...
2975	543	" "	" " Spring	...	...	...	...	...	...
592e	566	" "	" " Stop Screw	...	...	...	...	...	...
*24055	1249	" "	" Position Finger	...	...	...	...	...	...
2523	543	" "	" " Rivet	...	...	...	...	...	...
62782	1231	<b>Shuttle Bobbin Case, complete, Nos. 591f, 592e, 2523, 2975, 15141, 24055, 62780 and 62781</b>	...	...	...	...	...	...	...
24057	1249	<b>Shuttle Body</b>	...	...	...	...	...	...	...
591f	566	"	Tension Regulating Screw	...	...	...	...	...	...
62781	1231	"	" Spring	...	...	...	...	...	...
24059	1249	<b>Shuttle, 1<math>\frac{11}{16}</math>" diam., complete, Nos. 24051, 24057 and 62782</b>	...	...	...	...	...	...	...
24061	1248	<b>Shuttle Driver with two 462c</b>	...	...	...	...	...	...	...
2269	554	" "	Pin	...	...	...	...	...	...
462c	566	" "	Set Screw	...	...	...	...	...	...
24062	1248	<b>Shuttle Race Back</b>	...	...	...	...	...	...	...
2532	1549	" "	" Position Pin	...	...	...	...	...	...
2533	543	" "	" Spring	...	...	...	...	...	...
907d	567	" "	" " Screw	...	...	...	...	...	...
24963	—	" "	Body	...	...	...	...	...	...
62580	—	" "	" 24963, with 24964, two each 662d and 2532	...	...	...	...	...	...
24964	1248	" "	Cap	...	...	...	...	...	...
662d	566	" "	" Screw	...	...	...	...	...	...
24965	1248	" "	Ring (front)	...	...	...	...	...	...
24966	1248	" "	" ( " ) Clamp (left)	...	...	...	...	...	...
24967	1248	" "	" ( " ) " (right)	...	...	...	...	...	...
21202	1248	" "	" ( " ) " Friction Washer	...	...	...	...	...	...
85d	1255	" "	" ( " ) " Screw	...	...	...	...	...	...
24968	1248	<b>Shuttle Race (sectional), complete, Nos. 907d, 2533, 24062, 24965 to 24967, 62580, two each 85d and 21202</b>	...	...	...	...	...	...	...
145d	566	<b>Shuttle Race Screw (2)</b>	...	...	...	...	...	...	...
12431	—	<b>Shuttle Race Slide</b>	...	...	...	...	...	...	...
4307	544	" "	" Spring	...	...	...	...	...	...
725e	1255	" "	" " Screw	...	...	...	...	...	...
12432	544	<b>Shuttle Race Slide, complete, Nos. 4307, 12431 and two 725e</b>	...	...	...	...	...	...	...

No.	Plate								
52337	1249	<b>Slack Thread Regulator</b>	...	...	...	...	...	...	...
223c	1255	" " "	Set Screw	...	...	...	...	...	...
2102	1013	<b>Tension Disc</b>	...	...	...	...	...	...	...
1560c	567	"	Regulating Thumb Nut	...	...	...	...	...	...
32572	1013	"	Releasing Disc	...	...	...	...	...	...
43944	1013	"	"	Lever	...	...	...	...	...
12398	542	"	"	"	Hinge Pin	...	...	...	...
12329	542	"	"	"	Spring	...	...	...	...
32574	1013	"	"	"	Pin	...	...	...	...
50327c	2371	"	"	"	Screw Stud	...	...	...	...
44141	—	"	"	"	50327c with 1560c	...	...	...	...
43945	1013	"	"	"	Spring	...	...	...	...
44118	—	<b>Tension, complete, Nos. 7336, 32572, 32574, 43945, 43946, 44141 and two 2102</b>	...	...	...	...	...	...	...
52026	1249	<b>Thread Eyelet</b>	...	...	...	...	...	...	...
52454	1246	<b>Thread Retainer</b>	...	...	...	...	...	...	...
624c	1255	" " "	Set Screw	...	...	...	...	...	...
24097	1247	<b>Thread Take-up Crank</b>	...	...	...	...	...	...	...
1036c	1255	" " "	Position Screw	...	...	...	...	...	...
1037c	1255	" " "	Set Screw	...	...	...	...	...	...
24068	1247	<b>Thread Take-up Lever</b>	...	...	...	...	...	...	...
12166	544	" " "	Hinge Pin	...	...	...	...	...	...
24099	1247	" " "	Link	...	...	...	...	...	...
11204	540	" " "	"	Hinge Pin	...	...	...	...	...
435c	2371	" " "	"	"	Set Screw	...	...	...	...
24070	—	<b>Thread Take-up Lever, complete, Nos. 12166, 24068 and 24099</b>	...	...	...	...	...	...	...
43946	1013	<b>Thread Take-up Spring</b>	...	...	...	...	...	...	...
7336	1013	" " "	Regulator	...	...	...	...	...	...
448c	566	" " "	"	"	Set Screw	...	...	...	...
24943	—	<b>Thread Take-up Lever 24070 with 775e, 11204, 24097 and 24894</b>	...	...	...	...	...	...	...
44110	1252	<b>Throat Plate for 2258</b>	...	...	...	...	...	...	...
691f	566	" " "	Screw (2)	...	...	...	...	...	...
44111	—	<b>Wheel Feed, complete, Nos. 1655e, 2265, 12432, 20006, 44101, 44102, 44104, 44110, 62507 and two 61f</b>	...	...	...	...	...	...	...
80865	—	<b>Drip Pan with four wood screws ½" No. 5</b>	...	...	...	...	...	...	...
*15404	—	<b>Trade Mark</b>	...	...	...	...	...	...	...
15405	—	" " "	Rivet	...	...	...	...	...	...





## Accessories

	Plate							
2996	543	Bobbins (5) for 31K15, 31K17, 31K32 and 31K48 Machines	...	...	...	...	...	...
19131	1012	" (5) " 31K20 and 31K22 Machines	...	...	...	...	...	...
24051	1249	" (5) " 31K45 Machine	...	...	...	...	...	...
12361	541	Machine Hinge Connection (2)	...	...	...	...	...	...
36569	—	Oiler	...	...	...	...	...	...
25537	1234	Screw Driver (machine)	...	...	...	...	...	...
120378	1234	" " (shuttle tension)	...	...	...	...	...	...

## Bobbin Winders

### BOBBIN WINDER (friction), for Tight Balance Wheel 4370

No.	Plate							
12168	555	Bracket	...	...	...	...	...	...
692d	566	" Screw	...	...	...	...	...	...
12169	555	Frame	...	...	...	...	...	...
12171	555	" complete, Nos. 333r, 5960, 5961, 5963, 12169 and 15077	...	...	...	...	...	...
32d	566	" Hinge Screw	...	...	...	...	...	...
5960	555	Friction Wheel (leather)	...	...	...	...	...	...
5961	555	" " Washer	...	...	...	...	...	...
333r	555	" " " Screw	...	...	...	...	...	...
15077	555	Spindle with 15072	...	...	...	...	...	...
15072	1549	" Bobbin Position Pin	...	...	...	...	...	...
5963	555	" Flange	...	...	...	...	...	...
12170	554	Spring	...	...	...	...	...	...
180d	566	" Screw	...	...	...	...	...	...
12172	1237	<b>Bobbin Winder</b> , complete, Nos. 32d, 180d, 12168, 12170 and 12171	...	...	...	...	...	...

### BOBBIN WINDER (friction), for Loose Balance Wheels 2135 and 2862

This Bobbin Winder is the same as 12172, with the following exceptions :—

No.	Plate	
43981	1237	Frame ... ..
93803	—	Frame, complete, Nos. 333r, 5960, 5961, 5963, 15077 and 43981
93804	—	<b>Bobbin Winder</b> , complete, Nos. 32d, 180d, 12168, 12170 and 93803 ... ..

### BOBBIN WINDER (friction), for Tight Balance Wheels 12358 and 24328

This Bobbin Winder is the same as 12172, with the following exceptions :—

No.	Plate	
20307	1237	Frame ... ..
20308	1237	Frame, complete, Nos. 333r, 5960, 5961, 5963, 15077 and 20307
20309	—	<b>Bobbin Winder</b> , complete, Nos. 32d, 180d, 12168, 12170 and 20308 ... ..



**BOBBIN WINDER (swinging automatic, right hand)  
for 2996, for machines when used on Power Table**

No.	Plate								
3552	1457	Base	...	...	...	...	...	...	...
27302	1458	Frame	...	...	...	...	...	...	...
50356b	1255	"	Hinge Screw	...	...	...	...	...	...
1620j	1255	"	" " Nut	...	...	...	...	...	...
27303	554	"	Spring	...	...	...	...	...	...
27553	1457	Pulley	...	...	...	...	...	...	...
*27849	—	Spindle	...	...	...	...	...	...	...
27538	1458	"	27849 with 15072, 27850 and 41828	...	...	...	...	...	...
15072	1549	"	Bobbin Position Pin	...	...	...	...	...	...
*27850	—	"	Collar	...	...	...	...	...	...
41828	—	"	" Pin	...	...	...	...	...	...
27306	1253	Spool Pin	...	...	...	...	...	...	...
11241	—	"	" Washer (cloth)	...	...	...	...	...	...
27307	—	"	Stand	...	...	...	...	...	...
†27308	770	Spool Stand, complete,	Nos. 418e, 1562j, 2106, 10141, 11241,	...	...	...	...	...	...
			27306, 27307, two each 2455 and wood screws 1" No. 10	...	...	...	...	...	...
27312	1237	Stop Latch	...	...	...	...	...	...	...
35b	566	"	" Hinge Screw	...	...	...	...	...	...
2455	1247	Tension Disc	...	...	...	...	...	...	...
1562j	567	"	Regulating Thumb Nut	...	...	...	...	...	...
418e	566	"	Screw Stud	...	...	...	...	...	...
10141	1249	"	Spring	...	...	...	...	...	...
2106	1249	"	Thread Guide	...	...	...	...	...	...
27650	1457	Bobbin Winder, Nos. 35b, 1620j, 27302, 27303, 27312, 27538, 27552, 27553, 50356b, and two wood screws 1" No. 7	...	...	...	...	...	...	...
27554	—	<b>Bobbin Winder (swinging automatic, right hand) complete,</b> Nos. 27308 and 27650	...	...	...	...	...	...	...

† As No. 27308 can be supplied either Plated or Japanned, it is necessary when ordering, to state which is required.

**BOBBIN WINDER (swinging automatic, right hand)  
for 2996, for machines when used on Stand**

This Bobbin Winder is the same as No. 27554 with the following exceptions:—

No.	Plate								
27540	1458	Base	...	...	...	...	...	...	...
27541	1458	Pulley	...	...	...	...	...	...	...
27647	—	Bobbin Winder, Nos. 35b, 1620j, 27302, 27303, 27312, 27538, 27540, 27541, 50356b and two wood screws 1" No. 7	...	...	...	...	...	...	...
27544	—	<b>Bobbin Winder (swinging automatic, right hand), complete,</b> Nos. 27308 and 27647	...	...	...	...	...	...	...

**BOBBIN WINDER (swinging automatic, right hand) for 19131**

This Bobbin Winder is the same as 27554 with the following exceptions :—

No.	Plate		...	...	...	...	...	...
27587	1237	Stop Latch	...	...	...	...	...	...
27651	1457	<b>Bobbin Winder</b> , Nos. 35b, 1620j, 27302, 27303, 27538, 27552, 27553, 27587, 50356b and two wood screws 1" No. 7	...	...	...	...	...	...
27588	—	<b>Bobbin Winder</b> (swinging automatic, right hand), complete, Nos. 27308 and 27651	...	...	...	...	...	...

---

**BOBBIN WINDER (swinging automatic, right hand) for 19131, for Machines when used on Stand**

This Bobbin Winder is the same as 27554 with the following exceptions :—

No.	Plate		...	...	...	...	...	...
27540	1458	Base	...	...	...	...	...	...
27541	1458	Pulley	...	...	...	...	...	...
27587	1237	Stop Latch	...	...	...	...	...	...
27875	1457	<b>Bobbin Winder</b> , Nos. 35b, 1620j, 27302, 27303, 27538, 27540, 27541, 27587, 50356b, and two wood screws 1" No. 7	...	...	...	...	...	...
27876	—	<b>Bobbin Winder</b> (swinging automatic, right hand), complete, Nos. 27308 and 27875	...	...	...	...	...	...

---

**BOBBIN WINDER (swinging automatic, right hand) for 24051**

This Bobbin Winder is the same as 27554 with the following exceptions :—

No.	Plate		...	...	...	...	...	...
27699	1237	Stop Latch	...	...	...	...	...	...
27700	1457	<b>Bobbin Winder</b> , Nos. 35b, 1620j, 27302, 27303, 27538, 27552, 27553, 27699, 50356b and two wood screws 1" No. 7	...	...	...	...	...	...
27701	—	<b>Bobbin Winder</b> (swinging automatic, right hand), complete, Nos. 27308 and 27700	...	...	...	...	...	...

**BOBBIN WINDER (swinging automatic, right hand) for 24051,  
for machines when used on Stand**

This Bobbin Winder is the same as 27554 with the following exceptions:—

No.	Plate	
27540	1458	Base ... ..
27541	1458	Pulley ... ..
27699	1237	Stop Latch ... ..
41548	1457	Bobbin Winder, Nos. 35b, 1620j, 27302, 27303, 27538, 27540, 27541, 27699, 50356b, and two wood screws 1" No. 7 ...
41549	—	<b>Bobbin Winder</b> (swinging automatic, right hand), complete, Nos. 27308 and 41548 ... ..





# Attachments

*When ordering Binders send sample of the binding and the material to be bound.*

## BINDER for Cap Peak Work, for 31K15 Machine

No.	Plate								
85678	559	Feed Dog	...	...	...	...	...	...	...
85459	559	Folder Base	...	...	...	...	...	...	...
85460	559	" (top)	...	...	...	...	...	...	...
207d	558	" ( " ) Binding Screw	...	...	...	...	...	...	...
85461	—	" (bottom)	...	...	...	...	...	...	...
SS50d	186	" ( " ) Binding Screw	...	...	...	...	...	...	...
85462	559	" Roller Guide, Nos. 701d, 85463 and 85464	...	...	...	...	...	...	...
SS50d	186	" " " Binding Screw	...	...	...	...	...	...	...
85463	—	" " " Bracket	...	...	...	...	...	...	...
85464	—	" " " Roller	...	...	...	...	...	...	...
701d	1255	" " " " Screw	...	...	...	...	...	...	...
176d	559	" Screw (to fasten to machine)	...	...	...	...	...	...	...
85325	186	" " Washer	...	...	...	...	...	...	...
85458	559	Folder, complete, Nos. 85459 to 85462, two 207d and four SS50d	...	...	...	...	...	...	...
85679	559	Presser Foot	...	...	...	...	...	...	...
85680	559	Throat Plate	...	...	...	...	...	...	...
85681	559	<b>Binder</b> , complete, Nos. 85458, 85678 to 85680, two each 176d and 85325	...	...	...	...	...	...	...

## BINDER for Cardigan Jackets, for 31K15 Machine

No.	Plate							
85682	558	Feed Dog	...	...	...	...	...	...
85336	—	Folder Base	...	...	...	...	...	...
85337	—	" Folding Plate (top)	...	...	...	...	...	...
85338	—	" " (bottom)	...	...	...	...	...	...
233d	566	" " " Screw for 85337 and 85338	...	...	...	...	...	...
SS50d	186	" Screw	...	...	...	...	...	...
85325	186	" " Washer	...	...	...	...	...	...
85335	1251	Folder, complete, Nos. 85336 to 85338 and four 233d	...	...	...	...	...	...
85683	558	Presser Foot	...	...	...	...	...	...
85324	—	Tape Tension Pin (bent)	...	...	...	...	...	...
85323	—	" " (straight)	...	...	...	...	...	...
85340	—	" " Plate	...	...	...	...	...	...
85339	558	Tape Tension, complete, Nos. 85324, 85340 and four 85323	...	...	...	...	...	...
207d	558	" " Screw	...	...	...	...	...	...
85325	186	" " " Washer	...	...	...	...	...	...
85684	558	Throat Plate	...	...	...	...	...	...
85685	558	<b>Binder</b> , complete, Nos. SS50d, 207d, 85335, 85339, 85682 to 85684 and two 85325	...	...	...	...	...	...

BINDER,  $\frac{1}{2}$ ", for General Work, for 31K15 Machine

No.	Plate							
85686	558	Feed Dog	...	...	...	...	...	...
85320	558	Folder	...	...	...	...	...	...
SS50d	186	" Screw	...	...	...	...	...	...
85325	186	" " Washer	...	...	...	...	...	...
85687	—	Presser Foot Bracket	...	...	...	...	...	...
85688	—	" " " Hinge Pin	...	...	...	...	...	...
85689	—	" " Sole	...	...	...	...	...	...
85690	558	Presser Foot (hinged), complete, Nos. 85687 to 85689	...	...	...	...	...	...
85324	—	Tape Tension Pin (bent)	...	...	...	...	...	...
85323	—	" " (straight)	...	...	...	...	...	...
85322	—	" " Plate	...	...	...	...	...	...
85321	557	Tape Tension, complete, Nos. 85322, 85324 and eight 85323	...	...	...	...	...	...
SS50d	186	" " Screw	...	...	...	...	...	...
85325	186	" " " Washer	...	...	...	...	...	...
85691	558	Throat Plate	...	...	...	...	...	...
85692	558	<b>Binder</b> , complete, Nos. 85320, 85321, 85686, 85690, 85691, two each SS50d and 85325	...	...	...	...	...	...



## BINDER for Hosiery, Stay Work, etc., for 31K15 Machine

No.	Plate								
86450	1251	Feed Dog	...	...	...	...	...	...	...
85320	558	Folder	...	...	...	...	...	...	...
SS50d	186	" Screw	...	...	...	...	...	...	...
85325	186	" " Washer	...	...	...	...	...	...	...
85687	—	Presser Foot Bracket	...	...	...	...	...	...	...
85688	—	" " " Hinge Pin	...	...	...	...	...	...	...
85689	—	" " Sole	...	...	...	...	...	...	...
85690	558	Presser Foot (hinged), complete, Nos. 85687 to 85689	...	...	...	...	...	...	...
85324	—	Tape Tension Pin (bent)	...	...	...	...	...	...	...
85323	—	" " " (straight)	...	...	...	...	...	...	...
85322	—	" " Plate	...	...	...	...	...	...	...
85321	557	Tape Tension, complete, Nos. 85322, 85324 and eight 85323	...	...	...	...	...	...	...
SS50d	186	" " Screw	...	...	...	...	...	...	...
85325	186	" " " Washer	...	...	...	...	...	...	...
86451	1251	Throat Plate	...	...	...	...	...	...	...
86452	—	<b>Binder</b> , complete, Nos. 85320, 85321, 85690, 86450, 86451, two each SS50d and 85325	...	...	...	...	...	...	...

BINDER,  $\frac{1}{2}$ ", for Stay Work, for 31K15 Machine

No.	Plate								
85693	557	Feed Dog	...	...	...	...	...	...	...
85614	1251	Folder	...	...	...	...	...	...	...
SS65d	2371	" Screw	...	...	...	...	...	...	...
85694	—	Presser Foot Bracket	...	...	...	...	...	...	...
85616	—	" " " Hinge Pin	...	...	...	...	...	...	...
85695	—	" " Sole	...	...	...	...	...	...	...
85696	557	Presser Foot (hinged), complete, Nos. 85616, 85694 and 85695	...	...	...	...	...	...	...
85324	—	Tape Tension Pin (bent)	...	...	...	...	...	...	...
85323	—	" " " (straight)	...	...	...	...	...	...	...
85322	—	" " Plate	...	...	...	...	...	...	...
85321	557	Tape Tension, complete, Nos. 85322, 85324 and eight 85323	...	...	...	...	...	...	...
SS50d	186	" " Screw	...	...	...	...	...	...	...
85325	186	" " " Washer	...	...	...	...	...	...	...
85697	557	Throat Plate	...	...	...	...	...	...	...
85698	557	<b>Binder</b> , complete, Nos. SS50d, SS65d, 85321, 85325, 85614, 85693, 85696 and 85697	...	...	...	...	...	...	...

### BINDER, $\frac{1}{2}$ " , for Stay Work, for 31K15 Machine

No.	Plate							
85699	186	Base	...	...	...	...	...	...
85597	186	Binder	...	...	...	...	...	...
85324	—	Tape Tension Pin (bent)	...	...	...	...	...	...
85323	—	" " " (straight)	...	...	...	...	...	...
85700	186	Binder and Tension only, complete, Nos. 85324, 85597, 85699 and nine 85323	...	...	...	...	...	...
SS50d	186	Binder Screw	...	...	...	...	...	...
85325	186	" " Washer	...	...	...	...	...	...
85701	186	Feed Dog	...	...	...	...	...	...
85702	—	Presser Foot Bracket	...	...	...	...	...	...
85703	—	" " " Hinge Pin	...	...	...	...	...	...
85704	—	" " Sole	...	...	...	...	...	...
85705	186	Presser Foot (hinged), complete, Nos. 85702 to 85704	...	...	...	...	...	...
85706	186	Throat Plate	...	...	...	...	...	...
85707	186	<b>Binder</b> , complete, Nos. SS50d, 85325, 85700, 85701, 85705 and 85706	...	...	...	...	...	...

### BINDER, $\frac{9}{16}$ " , for Stay Work, for 31K15 Machine

No.	Plate							
85711	187	Base	...	...	...	...	...	...
85603	187	Binder	...	...	...	...	...	...
85604	187	Folder	...	...	...	...	...	...
207d	558	" Screw	...	...	...	...	...	...
85325	186	" " Washer	...	...	...	...	...	...
85605	187	Tape Guide	...	...	...	...	...	...
85606	187	" " Bracket	...	...	...	...	...	...
207d	558	" " " Screw	...	...	...	...	...	...
85325	186	" " " " Washer	...	...	...	...	...	...
207d	558	" " Screw	...	...	...	...	...	...
85325	186	" " " Washer	...	...	...	...	...	...
85607	—	" Tension Pin	...	...	...	...	...	...
85712	187	<b>Binder Folder and Tension</b> only, complete, Nos. 85603 to 85606, 85711, three each 207d, 85325 and seven 85607	...	...	...	...	...	...
SS50d	186	Binder Screw	...	...	...	...	...	...
85325	186	" " Washer	...	...	...	...	...	...
85701	186	Feed Dog	...	...	...	...	...	...
85702	—	Presser Foot Bracket	...	...	...	...	...	...
85703	—	" " " Hinge Pin	...	...	...	...	...	...
85704	—	" " Sole	...	...	...	...	...	...
85705	186	Presser Foot (hinged), complete, Nos. 85702 to 85704	...	...	...	...	...	...
85706	186	Throat Plate	...	...	...	...	...	...
85713	187	<b>Binder</b> , complete, Nos. SS50d, 85325, 85701, 85705, 85706 and 85712	...	...	...	...	...	...

**CORDER (bow), for Top Cording, for 31K15 Machine**

No.	Plate								
85868	201	Corder Bow	...	...	...	...	...	...	...
85869	201	Presser Foot	...	...	...	...	...	...	...
759d	799	" " Thumb Screw	...	...	...	...	...	...	...
85870	201	<b>Corder (bow), complete, Nos. 759d, 85868 and 85869</b>	...	...	...	...	...	...	...

**CORDER, for Top Cording, for 31K15 Machine**

No.	Plate								
85783	—	Base	...	...	...	...	...	...	...
85871	—	Guide Finger with 85414, 85872 and two 85416	...	...	...	...	...	...	...
SS28b	2371	" " Adjusting Screw	...	...	...	...	...	...	...
85414	—	" " Eyelet	...	...	...	...	...	...	...
85413	—	" " Hinge Pin	...	...	...	...	...	...	...
879d	1255	" " Locking Thumb Screw	...	...	...	...	...	...	...
85872	—	" " Tip	...	...	...	...	...	...	...
85416	—	" " " Rivet	...	...	...	...	...	...	...
85873	200	<b>Corder only, complete, Nos. SS28b, 879d, 85413, 85783 and 85871</b>	...	...	...	...	...	...	...
85874	200	Presser Foot	...	...	...	...	...	...	...
85875	200	<b>Corder, complete, Nos. SS44d, 85412, 85873 and 85874</b>	...	...	...	...	...	...	...
SS44d	200	" Screw (to fasten to machine)	...	...	...	...	...	...	...
85412	200	" " Washer	...	...	...	...	...	...	...

**CORDER GUIDE (adjustable) for 31K15 Machine**

No.	Plate								
85382	—	Extension Guide	...	...	...	...	...	...	...
228d	2371	" " Screw	...	...	...	...	...	...	...
85876	—	Presser Foot	...	...	...	...	...	...	...
85877	562	<b>Corder Guide, complete, Nos. 228d, 85382 and 85876</b>	...	...	...	...	...	...	...
85881	562	<b>Cording and Hemming Foot for 31K15 Machine</b>	...	...	...	...	...	...	...
86182	562	<b>Cording Foot (grooved on right side) for 31K15 Machine</b>	...	...	...	...	...	...	...



## CORD COVERING ATTACHMENT for 31K15 Machine

No.	Plate							
†86251	799	Cord Guide and Strip Folder	...	...	...	...	...	...
237f	799	" " " " " Screw	...	...	...	...	...	...
86252	799	" Wire	...	...	...	...	...	...
†86253	799	Feed Dog	...	...	...	...	...	...
86254	799	Presser Foot	...	...	...	...	...	...
86256	799	Tension Base Plate	...	...	...	...	...	...
86257	799	" " " Pin	...	...	...	...	...	...
86255	799	" Guide (adjustable)	...	...	...	...	...	...
759b	799	" " Thumb Screw	...	...	...	...	...	...
86258	799	Tension, complete, Nos. 759b, 86255, 86256 and four 86257	...	...	...	...	...	...
†86259	799	Throat Plate with SS338d	...	...	...	...	...	...
SS338d	799	" " Screw Stud	...	...	...	...	...	...
201566	799	" " " " Thumb Nut	...	...	...	...	...	...
†86260	799	<b>Cord Covering Attachment, complete, Nos. 237f, 86251 to 86254, 86258, 86259 and 201566</b>	...	...	...	...	...	...

† In ordering state size of cord.

## CRIMPING SET for 31K15 Machine

No.	Plate							
85882	557	Feed Dog	...	...	...	...	...	...
85883	—	Presser Foot	...	...	...	...	...	...
85391	—	" " Spring	...	...	...	...	...	...
219d	566	" " " Screw	...	...	...	...	...	...
85884	557	Presser Foot, complete, Nos. 219d, 85391 and 85883	...	...	...	...	...	...
85885	557	Throat Plate	...	...	...	...	...	...
85886	557	<b>Crimping Set, complete, Nos. 85882, 85884 and 85885</b>	...	...	...	...	...	...

FOLDER,  $\frac{5}{16}$ " , for Pinafores, for 31K15 Machine

No.	Plate							
86084	—	Folder	...	...	...	...	...	...
86455	—	" 86084 with 86085	...	...	...	...	...	...
86085	—	" Rod	...	...	...	...	...	...
207b	558	" " Set Screw	...	...	...	...	...	...
86456	1251	Presser Foot	...	...	...	...	...	...
86457	1251	<b>Folder, complete, Nos. 207b, 86455 and 86456</b>	...	...	...	...	...	...

## FELLING FEET for 31K15 Machine

No.	Plate						
85896	201	Felling Foot, $\frac{3}{16}$ " fell	...	...	...	...	...
85897	562	" " (steel), $\frac{3}{16}$ " fell	...	...	...	...	...

## GATHERING FEET for 31K15 Machine

No.	Plate						
85955	562	Gathering Foot	...	...	...	...	...
86193	2509	" " (slotted)	...	...	...	...	...

## HEMMERS for 31K15 Machine

*When ordering hemmers state width of hem in addition to the part number.*

No.	Plate						
86005	88	Hemmer ( $\frac{3}{16}$ " to $\frac{7}{8}$ " in grades of $\frac{1}{16}$ "	...	...	...	...	...
86008	88	" ( $1$ " to $1\frac{1}{4}$ " in grades of $\frac{1}{8}$ "	...	...	...	...	...
86010	88	" ( $1\frac{3}{8}$ " and $1\frac{1}{2}$ "	...	...	...	...	...
85447	88	Base with SS54e	...	...	...	...	...
SS54e	2371	" " Stud Screw	...	...	...	...	...
NN40d	88	" " " " Thumb Nut	...	...	...	...	...
85448	88	" " " " " " Washer	...	...	...	...	...
85446	—	<b>Hemmer Base</b> , complete, Nos. NN40d, 85447 and 85448, for use with 86005, 86008 and 86010	...	...	...	...	...

## HEMMER FEET for 31K15 Machine

No.	Plate						
86025	562	$\frac{1}{16}$ " to $\frac{3}{32}$ ", in grades of $\frac{1}{32}$ "	...	...	...	...	...
86465	1251	$\frac{1}{16}$ ", for Lace Insertion	...	...	...	...	...
86466	1251	$\frac{1}{16}$ " and $\frac{1}{4}$ ", for Silk	...	...	...	...	...
86469	1251	$\frac{1}{8}$ ", for Umbrellas	...	...	...	...	...
86537	—	$\frac{1}{16}$ ", flat sole	...	...	...	...	...
86538	—	$\frac{3}{32}$ ", " " "	...	...	...	...	...
86539	1931	$\frac{1}{8}$ " " " "	...	...	...	...	...
86540	—	$\frac{5}{32}$ ", " " "	...	...	...	...	...
86541	—	$\frac{3}{16}$ ", " " "	...	...	...	...	...
86542	—	$\frac{7}{32}$ ", " " "	...	...	...	...	...
86543	—	$\frac{1}{4}$ " " " "	...	...	...	...	...
86544	—	$\frac{1}{16}$ ", flat sole, with groove	...	...	...	...	...
86545	—	$\frac{3}{32}$ ", " " " "	...	...	...	...	...
86546	1931	$\frac{1}{8}$ ", " " " "	...	...	...	...	...
86547	—	$\frac{5}{32}$ ", " " " "	...	...	...	...	...
86548	—	$\frac{3}{16}$ ", " " " "	...	...	...	...	...
86549	—	$\frac{7}{32}$ ", " " " "	...	...	...	...	...
86550	—	$\frac{1}{4}$ ", " " " "	...	...	...	...	...

---

**PRESSER FEET for 31K15 Machine**

No.	Plate				
86188	565	Presser Foot (narrow) for Narrow Tucking	...	...	...
86475	1251	" " for General Work	...	...	...

**QUILTER for 31K15 Machine**

No.	Plate				
86041	565	Clamp with 207d	...	...	...
	207d	" Screw	...	...	...
86042	565	Rod	...	...	...
<b>86043</b>	565	<b>Quilter</b> , complete, Nos. 86041 and 86042	...	...	...

---

**RUFFLER (for power) for 31K15 Machine**

No.	Plate				
86061	—	Driving Lever	...	...	...
560b	1255	" " Adjusting Thumb Screw	...	...	...
1603h	2371	" " " " " Lock Nut	...	...	...
86062	—	" " Quadrant	...	...	...
9521	—	" " " Friction Washer	...	...	...
SS169f	2371	" " " Stud Screw	...	...	...
9521	—	" " " " " Washer	...	...	...
1550j	567	" " " " " " Nut	...	...	...
86063	—	Ruffling Blade	...	...	...
86064	—	" " Lever	...	...	...
SS170f	2371	" " " Stud Screw	...	...	...
85325	186	" " " " " Washer	...	...	...
1550j	567	" " " " " " Nut	...	...	...
SS132d	2371	" " " Screw	...	...	...
86065	—	Presser Foot	...	...	...
86067	—	" " 86065 with 86167	...	...	...
86066	—	" " Base Plate	...	...	...
240d	566	" " " " Screw	...	...	...
86167	—	" " Extension	...	...	...
86168	—	" " Top Guide	...	...	...
240d	566	" " " " Screw	...	...	...
†86068	—	Shirring Plate	...	...	...
<b>86069</b>	564	<b>Ruffler</b> , complete, Nos. SS169f, SS170f, 560b, 1603h, 85325, 86061 to 86064, 86066, 86067, 86168, two each SS132d, 240d, 1550j and 9521	...	...	...

† Used with but not included in 86069.



### TUCK FOLDING ATTACHMENT (adjustable) for 31K15 Machine

No.	Plate							
86097	—	Base (bottom)	...	...	...	...	...	...
86099	—	" (top)	...	...	...	...	...	...
175b	2371	" Adjusting Screw	...	...	...	...	...	...
86098	—	" Bracket	...	...	...	...	...	...
233b	566	" " Screw	...	...	...	...	...	...
86100	—	" Indicator	...	...	...	...	...	...
240b	566	" " Screw	...	...	...	...	...	...
SS178b	2371	" Regulating Screw	...	...	...	...	...	...
152b	566	" " " Bracket Screw	...	...	...	...	...	...
1576b	2371	" " Thumb Nut	...	...	...	...	...	...
207b	558	" Screw (to fasten to machine)	...	...	...	...	...	...
SS50b	186	" " ( " " " " )	...	...	...	...	...	...
86101	—	Tuck Folding Plate	...	...	...	...	...	...
86102	—	" " " Holder Bar	...	...	...	...	...	...
162b	2371	" " " " " Binding Screw	...	...	...	...	...	...
6312	—	" " " " " " Washer	...	...	...	...	...	...
671b	1255	" " " " " Set Thumb Screw	...	...	...	...	...	...
86174	—	" " " Tension Spring	...	...	...	...	...	...
240b	566	" " " " " Screw	...	...	...	...	...	...
86104	—	Tuck Spacing Guide	...	...	...	...	...	...
SS180b	2371	" " " Hinge Screw	...	...	...	...	...	...
NN57b	2371	" " " " " Nut	...	...	...	...	...	...
86105	—	" " " Spring	...	...	...	...	...	...
86106	—	" " " Lifter	...	...	...	...	...	...
86107	—	" " " " Bracket	...	...	...	...	...	...
104b	2371	" " " " Screw	...	...	...	...	...	...
86108	—	Tuck Spacing Slide	...	...	...	...	...	...
86109	—	" " " Base	...	...	...	...	...	...
175b	2371	" " " " Binding Screw	...	...	...	...	...	...
86100	—	" " " Indicator	...	...	...	...	...	...
240b	566	" " " " Screw	...	...	...	...	...	...
SS179b	2371	" " " Regulating Thumb Screw	...	...	...	...	...	...
86111	563	<b>Tuck Folding Attachment</b> only, complete, Nos. SS50b, 104b, 152b, SS178b, SS179b, SS180b, 671b, 1576b, 86097 to 86099, 86101, 86102, 86104 to 86109, 86174, two each NN57b, 162b, 233b, 6312, 86100, three 240b and four 175b	...	...	...	...	...	...
85864	564	Feed Dog	...	...	...	...	...	...
86119	564	Presser Foot	...	...	...	...	...	...
85866	564	Throat Plate	...	...	...	...	...	...
86120	564	<b>Tuck Folding Attachment</b> , complete, Nos. 85864, 85866, 86111 and 86119	...	...	...	...	...	...

## TUCKER for 31K15 Machine

No.	Plate							
26775	—	Driving Lever	...	...	...	...	...	...
26129	—	Foot	...	...	...	...	...	...
26089	—	Frame	...	...	...	...	...	...
5604	—	" Rivet	...	...	...	...	...	...
26090	—	Rocking Bar	...	...	...	...	...	...
26514	—	" " Lifting Spring	...	...	...	...	...	...
26555	—	" " Protector	...	...	...	...	...	...
26093	—	Stop Bracket	...	...	...	...	...	...
26094	—	Tuck Guide	...	...	...	...	...	...
658b	1255	" " Thumb Screw	...	...	...	...	...	...
26096	—	" Marker Guide Clamp	...	...	...	...	...	...
561b	1255	" " " " Thumb Screw	...	...	...	...	...	...
26097	—	" " " Rod	...	...	...	...	...	...
233b	566	" " " " End Screw	...	...	...	...	...	...
26095	—	" Marking Plate	...	...	...	...	...	...
26098	—	" Smoothing Spring	...	...	...	...	...	...
26517	1234	<b>Tucker</b> , complete, Nos. 233b, 561b, 658b, 5604, 26089, 26090, 26093 to 26098, 26129, 26514, 26555 and 26775 ...						

## Driving Attachment

No.	Plate						
6592	536	Balance Wheel (friction) with 7958, 16524 and two 435c	...	...	...	...	...
16524	—	" " Friction Ring (leather)	...	...	...	...	...
7958	1549	" " " " Stop Pin	...	...	...	...	...
24297	536	" " Oil Cover	...	...	...	...	...
210d	566	" " " " Screw	...	...	...	...	...
435c	2371	" " Set Screw	...	...	...	...	...
16514	—	Bobbin Winder Frame	...	...	...	...	...
32d	566	" " " Hinge Screw	...	...	...	...	...
16515	536	Bobbin Winder Frame, complete, Nos. 333r, 5960, 5961, 5963, 15077 and 16514	...	...	...	...	...
5960	555	Bobbin Winder Friction Wheel (leather)	...	...	...	...	...
5961	555	" " " " Washer	...	...	...	...	...
333r	555	" " " " Screw	...	...	...	...	...
15077	555	" " Spindle with 15072	...	...	...	...	...
15072	1549	" " " Bobbin Position Pin	...	...	...	...	...
5963	555	" " " Flange	...	...	...	...	...
27306	1253	" " Spool Pin	...	...	...	...	...
27307	—	" " " Stand	...	...	...	...	...
†27308	770	Bobbin Winder Spool Stand, complete, Nos. 418e, 1562j, 2106, 10141, 11241, 27306, 27307, two each 2455 and wood screws 1" No. 10	...	...	...	...	...
11241	—	Bobbin Winder Spool Washer (cloth)	...	...	...	...	...
12170	554	" " Spring	...	...	...	...	...
180d	566	" " " Screw	...	...	...	...	...
16516	536	" " Stop Latch with 152f and 1550h	...	...	...	...	...
152f	566	" " " " Adjusting Screw	...	...	...	...	...
1550h	567	" " " " " " Nut	...	...	...	...	...
75d	566	" " " " Hinge Screw	...	...	...	...	...
27303	554	" " " " Spring	...	...	...	...	...
2269	554	" " " " Stop Pin	...	...	...	...	...
2455	1247	" " Tension Disc	...	...	...	...	...
1562j	567	" " " Regulating Thumb Nut	...	...	...	...	...
418e	566	" " " Screw Stud	...	...	...	...	...
10141	1249	" " " Spring	...	...	...	...	...
2106	1249	" " " Thread Guide	...	...	...	...	...
16530	536	Bracket	...	...	...	...	...
692d	566	" Screw	...	...	...	...	...

† As No. 27308 can be supplied either Plated or Japanned, it is necessary when ordering, to state which is required.



No.	Plate						
16518	536	Driving Arm with 2269, 2928 and two 15132	...	...	...	...	...
2928	1234	" " Brake (leather)	...	...	...	...	...
15132	1549	" " " Rivet	...	...	...	...	...
12178	536	" " Friction Plug (wood)	...	...	...	...	...
427e	566	" " " " Adjusting Screw	...	...	...	...	...
1508e	567	" " " " " " Nut	...	...	...	...	...
693d	536	" " Hinge Screw	...	...	...	...	...
1579c	536	" " " " Nut	...	...	...	...	...
12475	536	" " Pitman	...	...	...	...	...
20371	554	" " " Crank	...	...	...	...	...
65d	566	" " " " Hinge Screw	...	...	...	...	...
2022	1249	" " " " Pin	...	...	...	...	...
20372	536	" " " " Spring	...	...	...	...	...
16522	—	Driving Arm, complete, Nos. 32d, 75d, 180d, 427e, 693d, 1508e, 1579c, 12170, 12178, 16515, 16516, 16518, 16530 and 27303	...	...	...	...	...
16594	536	Driving Friction Pulley, 2 $\frac{5}{16}$ " diam., with 861d and 10236	...	...	...	...	...
10236	536	" " " Centre Bearing	...	...	...	...	...
861d	1255	" " " Stop Screw	...	...	...	...	...
84278	—	Shaft Driving Pulley (sectional, grooved, 12" diam.), with two 597c	...	...	...	...	...
597c	2371	" " " Clamping Screw	...	...	...	...	...
12479	536	Starting Crank	...	...	...	...	...
2022	1249	" " Pin	...	...	...	...	...
12477	536	" " Shaft	...	...	...	...	...
44176	—	" " " 12477, with 12479, 20371 and two 2022	...	...	...	...	...
27636	536	Treadle	...	...	...	...	...
9082	554	" Bearing Cotter Pin	...	...	...	...	...
27637	536	" Pitman Rod (lower)	...	...	...	...	...
27638	536	" " " ( " ) Spring	...	...	...	...	...
84695	536	" " " (upper)	...	...	...	...	...
80223	536	" " " Clamp with 361c	...	...	...	...	...
361c	566	" " " " Set Screw	...	...	...	...	...
84696	536	Treadle Pitman, complete, Nos. 2762, 27637, 27638, 80223 and 84695	...	...	...	...	...
2878	536	Treadle Stand	...	...	...	...	...
—	—	" " Screw (wood) 1" No. 16	...	...	...	...	...
2762	536	" Stop Collar with 362c	...	...	...	...	...
362c	566	" " " Set Screw	...	...	...	...	...
27642	—	Treadle, complete, Nos. 2878, 9082, 27636 and four wood screws 1" No. 16	...	...	...	...	...
84698	—	Treadle and Pitman, complete, Nos. 27642 and 84696	...	...	...	...	...
84788	—	Driving Attachment, complete, Nos. 210d, 692d, 12475, 16522, 16592, 16594, 20372, 24297, 27308, 44176, 84278, 84698 and two 65d	...	...	...	...	...

# Knee Lifters

## KNEE LIFTER

for 31K15, 31K17, 31K20, 31K22 and 31K32 Machines

No.	Plate								
5596	—	Bell Crank	...	...	...	...	...	...	...
5598	542	" "	5596 with 5599, 5601 and 5735	...	...	...	...	...	...
5599	—	" "	Bracket	...	...	...	...	...	...
178e	2371	" "	" Screw	...	...	...	...	...	...
5601	1249	" "	Hinge Pin	...	...	...	...	...	...
5735	542	" "	Spring	...	...	...	...	...	...
12237	535	Lifting Lever with 448c	...	...	...	...	...	...	...
12415	535	" "	Connecting Rod	...	...	...	...	...	...
12416	541	" "	" " Joint	...	...	...	...	...	...
76d	566	" "	" " " Hinge Screw	...	...	...	...	...	...
1521e	567	" "	" " Lock Nut	...	...	...	...	...	...
802d	567	" "	Hinge Screw	...	...	...	...	...	...
12241	541	" "	Link	...	...	...	...	...	...
766d	566	" "	" Hinge Screw	...	...	...	...	...	...
12240	542	" "	Pin	...	...	...	...	...	...
448c	566	" "	" Set Screw	...	...	...	...	...	...
2763	535	Rock Shaft	...	...	...	...	...	...	...
97502	1818	" "	Bracket	...	...	...	...	...	...
—	—	" "	" Screw (wood) 1" No. 10	...	...	...	...	...	...
2765	535	" "	Knee Arm	...	...	...	...	...	...
2768	—	" "	" " 2765 with 2766 and 2767	...	...	...	...	...	...
2766	535	" "	" " Hub with 356c	...	...	...	...	...	...
356c	566	" "	" " Set Screw	...	...	...	...	...	...
2767	535	" "	" Plate with 356c	...	...	...	...	...	...
356c	566	" "	" Set Screw	...	...	...	...	...	...
6337	535	" "	Lifting Bracket with two 356c	...	...	...	...	...	...
2778	535	" "	" " Hook	...	...	...	...	...	...
356c	566	" "	" " Set Screw	...	...	...	...	...	...
356c	566	" "	" " Set Screw	...	...	...	...	...	...
2770	535	" "	Stop Dog with 356c	...	...	...	...	...	...
356c	566	" "	" " Set Screw	...	...	...	...	...	...
84789	535	Rock Shaft, complete, Nos. 2763, 2768, 2770, 2778, 6337, two 97502 and four wood screws 1" No. 10	...	...	...	...	...	...	...
84790	—	Knee Lifter, complete, Nos. 76d, 766d, 802d, 1521e, 5598, 12237, 12240, 12241, 12415, 12416, 84789 and two 178e	...	...	...	...	...	...	...

**KNEE LIFTER**  
for 31K45 and 31K48 Machines

This Knee Lifter is the same as 84790, with the following exceptions :—

No.	Plate							
80866	1253	Rock Shaft Bracket	...	...	...	...	...	...
84835	—	Rock Shaft, complete, Nos. 2763, 2768, 2770, 2778, 6337, two 80866 and four wood screws 1" No. 10	...	...	...	...	...	...
84836	—	Knee Lifter, complete, Nos. 76d, 766d, 802d, 1521e, 5598, 12237, 12240, 12241, 12415, 12416, 84835 and two 178e	...	...	...	...	...	...



## Numerical List of Parts

No.	Plate	
SS28b	2371	Corder Guide Finger Adjusting Screw for 85873 ... ..
32d	566	Bobbin Winder Frame Hinge Screw for 12172, 20309 and 93804 ... ..
32d	566	Driving Attachment Bobbin Winder Frame Hinge Screw for 16522 ... ..
35b	566	Bobbin Winder Stop Latch Hinge Screw for 27647, 27650, 27651, 27700, 27875 and 41548 ... ..
NN40d	88	Hemmer Base Stud Screw Thumb Nut for 85446 ... ..
SS44d	200	Corder Screw (to fasten to machine) for 85875
SS50b	186	Tuck Folding Attachment Base Screw (to fasten to machine) for 86111 ... ..
SS50d	186	Binder Screw for 85707 and 85713 ... ..
SS50d	186	Binder Folder Screw for 85685, 85692 and 86452 ... ..
SS50d	186	Binder Folder (bottom) Binding Screw for 85458 ... ..
SS50d	186	Binder Folder Roller Guide Binding Screw for 85458 ... ..
SS50d	186	Binder Tape Tension Screw for 85692, 85698 and 86452 ... ..
SS54e	2371	Hemmer Base Stud Screw for 85447 ... ..
NN57b	2371	Tuck Folding Attachment Tuck Spacing Guide Hinge Screw Nut for 86111 ... ..
61f	1255	Feed Wheel Driver Link Hinge Screw for 44111 and 31K48 Machine ... ..
SS65d	2371	Binder Folder Screw for 85698 ... ..
65d	566	Driving Attachment Driving Arm Pitman Crank Hinge Screw for 84788 ... ..
75d	566	Driving Attachment Bobbin Winder Stop Latch Hinge Screw for 16522 ... ..
76d	566	Knee Lifter Lifting Lever Connecting Rod Joint Hinge Screw for 84790 and 84836 ... ..
SS79	2371	Feed Wheel Frame Adjuster Thumb Screw for 93829 ... ..
85d	1255	Shuttle Race Ring (front) Clamp Screw for 24968 ... .. (Obsolete)
104b	2371	Tuck Folding Attachment Tuck Spacing Guide Lifter Screw for 86111 ... ..
SS132d	2371	Ruffler Ruffling Blade Screw for 86069 ... ..

No.	Plate		...	...	...
144c	566	Arm Shaft Screw	...	...	...
145d	566	Shuttle Race Screw	...	...	...
151c	2509	Feed Wheel Friction Plate Screw for 93829			
151c	2509	Feed Wheel Friction Plate (back) Screw for 44104	...	...	...
152b	566	Tuck Folding Attachment Base Regulating Screw Bracket Screw for 86111	...		
152f	566	Driving Attachment Bobbin Winder Stop Latch Adjusting Screw for 16516	...		
157c	566	Feed Lifting Rock Shaft Crank Clamping Screw for 12376	...	...	...
157c	566	Feed Rock Shaft Crank Clamping Screw for 29633	...	...	...
162b	2371	Tuck Folding Attachment Tuck Folding Plate Holder Bar Binding Screw for 86111			
SS169f	2371	Ruffler Driving Lever Quadrant Stud Screw for 86069	...	...	...
SS170f	2371	Ruffler Ruffling Blade Lever Stud Screw for 86069	...	...	...
175b	2371	Tuck Folding Attachment Base Adjusting Screw for 86111	...	...	...
175b	2371	Tuck Folding Attachment Tuck Spacing Slide Base Binding Screw for 86111	...		
176d	559	Binder Folder Screw (to fasten to machine) for 85681	...	...	...
SS178b	2371	Tuck Folding Attachment Base Regulating Screw for 86111	...	...	...
178e	2371	Knee Lifter Bell Crank Bracket Screw for 84790 and 84836	...	...	...
SS179b	2371	Tuck Folding Attachment Tuck Spacing Slide Regulating Thumb Screw for 86111			
SS180b	2371	Tuck Folding Attachment Tuck Spacing Guide Hinge Screw for 86111	...	...	...
180d	566	Bobbin Winder Spring Screw for 12172, 20309 and 93804	...	...	...
180d	566	Driving Attachment Bobbin Winder Spring Screw for 16522	...	...	...
183c	2509	Feed Wheel Friction Plate (front) Screw for 44104	...	...	(Obsolete)
183c	2509	Feed Wheel Friction Spring Screw for 93829			
183c	2509	Feed Wheel Retaining Clutch Cap Screw for 44104 and 93829	...	...	...
190d	566	Face Plate Screw	...	...	...
190d	566	Presser Foot Screw	...	...	...
190d	566	Roller Presser Screw for 19464	...	...	...
196f	566	Needle Clamp Screw for 2167	...	...	...

No.	Plate	
207b	558	Tuck Folding Attachment Base Screw (to fasten to machine) for 86111 ... ..
207b	558	Folder Rod Set Screw for 86457 ... ..
207d	558	Binder Folder Screw for 85712 ... ..
207d	558	Binder Folder (top) Binding Screw for 85458
207d	558	Binder Tape Guide Bracket Screw for 85712
207d	558	Binder Tape Guide Screw for 85712 ... ..
207d	558	Binder Tape Tension Screw for 85685 ... ..
207d	558	Quilter Clamp Screw for 86041 ... ..
207f	558	Needle Bar Connecting Stud Clamping Screw for 24041 ... ..
208e	566	Feed Dog Screw for 31K15, 31K17, 31K20, 31K22 and 31K32 Machines ... ..
210d	566	Balance Wheel Oil Cover Screw ... ..
210d	566	Driving Attachment Balance Wheel Oil Cover Screw for 84788 ... ..
219d	566	Presser Foot Spring Screw for 85884 ... ..
219f	566	Arm Side Cap Screw ... ..
223c	1255	Slack Thread Regulator Set Screw for 52338 (Obsolete)
225f	566	Slack Thread Regulator Adjusting Screw for 31K15, 31K17, 31K20, 31K22, 31K32 and 31K48 Machines ... ..
226d	1255	Oscillating Shaft Crank Slide Block Cap Screw for 19449 and 24050 ... ..
228d	237I	Corder Guide Extension Guide Screw for 85877 ... ..
233b	566	Tuck Folding Attachment Base Bracket Screw for 86111 ... ..
233b	566	Tucker Tuck Marker Guide Rod End Screw for 26517 ... ..
233d	566	Binder Folder Folding Plate Screw for 85335
233d	566	Needle Bar Thread Guard Screw for 31K15, 31K17, 31K20, 31K32 and 31K48 Machines ... ..
237f	799	Cord Covering Attachment Cord Guide and Strip Folder Screw for 86260 ... ..
240b	566	Tuck Folding Attachment Base Indicator Screw for 86111 ... ..
240b	566	Tuck Folding Attachment Tuck Spacing Slide Indicator Screw for 86111 ... ..
240b	566	Tuck Folding Attachment Tuck Folding Plate Tension Spring Screw for 86111 ... ..
240d	566	Feed Wheel Retaining Clutch Spring Screw for 44104 and 93829 ... ..
240d	566	Ruffler Presser Foot Base Plate Screw for 86069 ... ..



No.	Plate	
240d	566	Ruffler Presser Foot Top Guide Screw for 86069 ... ..
243c	2371	Feed Wheel Driver Block (inside) Screw Stud End Screw for 93824 ... ..
248a	566	Clamp Stop Motion Clamp Stop Screw for 3022j ... ..
256w.	566	Clamp Stop Motion Clamp Screw for 3022j ...
284d	566	Guide Thumb Screw for 25874 and 25878 ...
307c	566	Feed Lifting Rock Shaft Screw Centre for 31K15, 31K17, 31K20, 31K22 and 31K32 Machines ... ..
307c	566	Feed Rock Shaft Screw Centre ... ..
307c	566	Feed Wheel Frame Shaft Screw Centre for 31K45 and 31K48 Machines ... ..
313c	566	Feed Bar Screw Centre for 31K15, 31K17, 31K20, 31K22 and 31K32 Machines ... ..
333r	555	Bobbin Winder Friction Wheel Washer Screw for 12171, 20308 and 93803 ...
333r	555	Driving Attachment Bobbin Winder Friction Wheel Washer Screw for 16515 ...
SS338d	799	Cord Covering Attachment Throat Plate Screw Stud for 86259 ... ..
SS339c	2371	Feed Wheel Driver Block (outside) Screw Stud, for 93824 ... ..
SS340c	2371	Feed Wheel Driver Block (inside) Screw Stud, for 93824 ... ..
SS353c	2371	Feed Wheel Frame Adjuster Link Screw Stud, for 31K48 Machine ... ..
356c	566	Knee Lifter Rock Shaft Knee Arm Hub Set Screw for 2766 ... ..
356c	566	Knee Lifter Rock Shaft Knee Plate Set Screw for 2767 ... ..
356c	566	Knee Lifter Rock Shaft Lifting Bracket Hook Set Screw for 6337 ... ..
356c	566	Knee Lifter Rock Shaft Lifting Bracket Set Screw for 6337 ... ..
356c	566	Knee Lifter Rock Shaft Stop Dog Set Screw for 2770 ... ..
361c	566	Driving Attachment Treadle Pitman Rod Clamp Set Screw for 80223 ... ..
362c	566	Driving Attachment Treadle Stop Collar Set Screw for 2762 ... ..
375c	566	Feed Connecting Link Hinge Screw ...
375c	566	Feed Forked Connection Hinge Screw ...
375c	566	Feed Lifting Rock Shaft Crank Connecting Rod Hinge Screw, for all machines except 31K45 and 31K48 ... ..

No.	Plate	
386d	566	Roller Screw for 1911 and 1912 ... ..
388d	566	Roller Screw for 51801 and 51802 ... ..
391j	566	Shuttle Bobbin Case Position Plate Screw for 24325, 24415 and 62753 ... ..
418e	566	Bobbin Winder Tension Screw Stud for 27308
418e	566	Driving Attachment Bobbin Winder Tension Screw Stud for 27308 ... ..
427e	566	Driving Attachment Driving Arm Friction Plug Adjusting Screw for 16522 ... ..
435c	2371	Thread Take-up Lever Link Hinge Pin Set Screw ... ..
435c	2371	Driving Attachment Balance Wheel Set Screw for 16592 ... ..
446c	566	Feed and Feed Lifting Eccentric Set Screw for 20283 ... ..
446c	566	Feed Cam and Feed Lifting Eccentric Set Screw for 12197 ... ..
446c	566	Feed Eccentric Set Screw for 5570 and 62507
448c	566	Arm Shaft Flanged Bushing (back) Set Screw
448c	566	Balance Wheel Set Screw for 4370, 12358, 24328 and 85200 ... ..
448c	566	Knee Lifter Lifting Lever Pin Set Screw for 12237 ... ..
448c	566	Oscillating Rock Shaft Hinge Pin Set Screw
448c	566	Thread Take-up Spring Regulator Set Screw
453c	566	Feed Wheel Frame Set Screw for 44103 and 93825 ... ..
453c	566	Needle Bar Connecting Stud Set Screw for 12384 ... ..
453c	566	Oscillating Shaft Crank Set Screw for 44135
453c	566	Presser Bar Guide Bracket Set Screw for 20059, 43917 and 52338 ... ..
456c	2371	Roller Arm Bracket Position Collar Set Screw for 19443 ... ..
457c	1255	Oscillating Shaft Crank Set Screw for 19447
462c	566	Clamp Stop Motion Flanged Bushing Set Screw for 4933 ... ..
462c	566	Feed Lifting Rock Shaft Crank (back) Set Screw for 16556 ... ..
462c	566	Oscillating Shaft Crank Set Screw for 24049
462c	566	Shuttle Driver Set Screw for 24061 (Obsolete)
560b	1255	Ruffler Driving Lever Adjusting Thumb Screw for 86069 ... ..
561b	1255	Tucker Tuck Marker Guide Clamp Thumb Screw for 26517 ... ..
591f	566	Shuttle Tension Regulating Screw for 20756, 62740 and 62782 ... ..



No.	Plate	
592e	566	Shuttle Bobbin Case Latch Stop Screw for 20756, 62740 and 62782 ... ..
597c	2371	Driving Attachment Shaft Driving Pulley Clamping Screw for 84278 ... ..
624c	1255	Thread Retainer Set Screw ... ..
651d	1013	Needle Clamp Thread Guard Screw for 24103
652d	1255	Roller Screw for 1841, 1868 and 1986 ...
658b	1255	Tucker Tuck Guide Thumb Screw for 26517
662d	566	Shuttle Race Cap Screw for 62580 and 62751
671b	1255	Tuck Folding Attachment Tuck Folding Plate Holder Bar Set Thumb Screw for 86111 ... ..
688j	567	Pressure Regulating Thumb Screw ...
689c	566	Presser Bar Lifter Screw ... ..
690e	566	Thread Take-up Crank Wedge Screw for all machines, except 31K45 ... ..
691f	566	Throat Plate Screw ... ..
692d	566	Bobbin Winder Bracket Screw for 12172, 20309 and 93804 ... ..
692d	566	Driving Attachment Bracket Screw for 84788
693d	536	Driving Attachment Driving Arm Hinge Screw for 16522 ... ..
701d	1255	Binder Folder Roller Guide Roller Screw for 85462 ... ..
725e	1255	Shuttle Race Slide Spring Screw for 12432 ...
732d	566	Guide Thumb Screw for 25866 ... ..
748e	567	Arm Screw (back) ... ..
759b	799	Cord Covering Attachment Tension Guide Thumb Screw for 86258 ... ..
759d	799	Corder Presser Foot Thumb Screw for 85870
766d	566	Knee Lifter Lifting Lever Link Hinge Screw for 84790 and 84836 ... ..
775e	566	Needle Bar Connecting Link Cap Screw for 24943 ... ..
775e	566	Thread Take-up Lever Cap Screw for 43990 and 43991 ... ..
794e	567	Needle Bar Connecting Link Adjusting Screw for 12382 and 24040 ... ..
802d	567	Knee Lifter Lifting Lever Hinge Screw for 84790 and 84836 ... ..
808f	567	Needle Clamp Screw for 4303 and 24103 ...
818d	567	Feed Regulator Thumb Screw for all machines except 31K32 ... ..
834d	1255	Feed Regulating Thumb Screw for 31K32 Machine ... ..
835d	1255	Feed Regulator Handle Screw for 31K32 Machine ... ..



No.	Plate	
854e	2371	Arm Screw (front) ... ..
857h	1255	Needle Set Screw for 24038 (Obsolete)
858c	567	Needle Bar Crank Set Screw for 20188 and 24052 ... ..
861d	1255	Driving Attachment Driving Friction Pulley Stop Screw for 16594 ... ..
862d	1255	Needle Bar Hole Plug Screw for 31K45 Machine ... .. (Obsolete)
879d	1255	Corder Guide Finger Locking Thumb Screw for 85873 ... ..
896e	567	Crank Connecting Rod Cap Screw for 20197 and 24028 ... ..
907d	567	Shuttle Race Back Spring Screw for 24325, 24415, 24968 and 62753 ... ..
908c	567	Crank Connecting Rod Hinge Screw ...
936e	567	Needle Bar Screw Bushing for all machines except 31K45 ... ..
966e	1255	Feed Lifting Rock Shaft Crank Connecting Rod Cap Screw for 43976 ... ..
987e	2371	Roller Arm Bracket Screw Stud for 24445 ...
988c	567	Oscillating Shaft Crank Slide Block Screw Stud for 19449 ... ..
999c	2371	Feed Wheel Frame Adjuster Link Hinge Screw, for 93829 ... ..
1035c	1255	Oscillating Shaft Crank Slide Block Screw Stud for 24050 ... .. (Obsolete)
1036c	1255	Thread Take-up Crank Position Screw for 24052 ... .. (Obsolete)
1037c	1255	Thread Take-up Crank Set Screw for 24052 (Obsolete)
1053d	567	Shuttle Race Cap Screw for 24962 and 24999
1065c	567	Needle Bar Crank Position Screw for 20188 and 24052 ... ..
1128e	567	Feed Regulator Hinge Screw for all machines except 31K32 ... ..
1133e	1255	Needle Bar Set Screw for 31K45 Machine (Obsolete)
1208e	2371	Shuttle Race Slide Spring Screw for 24810 ...
1266c	2371	Shuttle Driver Set Screw for 12444 and 19406
1508e	567	Driving Attachment Driving Arm Friction Plug Adjusting Screw Nut for 16522 ...
1513j	567	Feed Lifting Rock Shaft Screw Centre Nut for 31K15, 31K17, 31K20, 31K22 and 31K32 Machines ... ..
1513j	567	Feed Rock Shaft Screw Centre Nut ...
1513j	567	Feed Wheel Frame Shaft Screw Centre Nut for 31K45 and 31K48 Machines ...

No.	Plate	
1518e	567	Feed Connecting Link Hinge Screw Nut ...
1518e	567	Feed Forked Connection Hinge Screw Nut ...
1518e	567	Feed Lifting Rock Shaft Crank Connecting Rod Hinge Screw Nut for all machines except 31K45 and 31K48 ... ..
1518e	567	Oscillating Shaft Crank Slide Block Screw Stud Nut for 19447 and 44135 ...
1519e	567	Feed Bar Screw Centre Nut for all machines except 31K45 and 31K48 ... ..
1520r	567	Presser Bar Lifter Screw Nut ... ..
1520r	567	Feed Wheel Frame Adjusting Screw Nut for 44104 ... ..
1521e	567	Knee Lifter Lifting Lever Connecting Rod Lock Nut for 84790 and 84836 ...
1528j	2509	Roller Screw Nut for 1841, 1868, 1911, 1912 and 1986 ... ..
1550h	567	Driving Attachment Bobbin Winder Stop Latch Adjusting Screw Nut for 16516 ...
1550j	567	Roller Screw Nut for 51801 and 51802 ...
1550j	567	Ruffler Driving Lever Quadrant Stud Screw Washer Nut for 86069 ... ..
1550j	567	Ruffler Ruffling Blade Lever Stud Screw Washer Nut for 86069 ... ..
1560c	567	Tension Regulating Thumb Nut for 44141 ...
1562j	567	Bobbin Winder Tension Regulating Thumb Nut for 27308 ... ..
1562j	567	Driving Attachment Bobbin Winder Tension Regulating Thumb Nut for 27308 ...
1576b	2371	Tuck Folding Attachment Base Regulating Thumb Nut for 86111 ... ..
1579c	536	Driving Attachment Driving Arm Hinge Screw Nut for 16522 ... ..
1603h	2371	Ruffler Driving Lever Adjusting Thumb Screw Lock Nut for 86069 ... ..
1619e	567	Crank Connecting Rod Hinge Screw Nut ...
1620j	1255	Bobbin Winder Frame Hinge Screw Nut for 27647, 27650, 27651, 27700, 27875 and 41548 ... ..
1636e	2371	Oscillating Shaft Crank Slide Block Screw Stud Nut for 24049 ... (Obsolete)
1655e	1255	Feed Wheel Driver Link Hinge Screw Nut for 44111 and 31K48 Machine ... ..
1813	567	Feed Lifting Rock Shaft Crank Roller and Stud for 12376 ... ..
1841	1246	Roller, $\frac{7}{8}$ " diam., fine, with 652d and 1528j, for 16580 ... ..

No.	Plate	
1868	1246	Roller, $\frac{7}{8}$ " diam., coarse, with 652d and 1528j, for 16579 ... ..
1904	567	Needle Bar Connecting Stud Roller (roller only) for 12384 ... ..
1911	1246	Roller, $1\frac{1}{4}$ " diam., coarse, with 386d and 1528j, for 16581 ... ..
1912	1246	Roller, $1\frac{1}{4}$ " diam., fine, with 386d and 1528j, for 16582 ... ..
1986	1246	Roller, $\frac{7}{8}$ " diam., fine, with 652d and 1528j, for 44107 ... ..
2020	539	Clamp Stop Motion Clamp Washer for 3022j
2022	1249	Clamp Stop Motion Flanged Bushing Pin for 3022j ... ..
2022	1249	Driving Attachment Driving Arm Pitman Crank Pin for 44176 ... ..
2022	1249	Driving Attachment Starting Crank Pin for 44176 ... ..
2049	542	Feed Lifting Rock Shaft Crank (back) Pin for 31K17 Machine ... ..
2049	542	Shuttle Driver Pin for all machines except 31K45 ... ..
2062	544	Presser Bar Lifter for all machines except 31K22 ... ..
2102	1013	Tension Disc for 44118 ... ..
2106	1249	Bobbin Winder Tension Thread Guide for 27308 ... ..
2106	1249	Driving Attachment Bobbin Winder Tension Thread Guide for 27308 ... ..
2135	535	Balance Wheel (stand, heavy rim, $2\frac{1}{2}$ " pulley) for 3022j, for all machines except 31K45
2167	542	Needle Clamp, with 196f, for 31K17 and 31K48 Machines ... ..
2252	2509	Feed Wheel Friction Plate (front) for 44104 (Obsolete)
2254	2509	Feed Wheel Retaining Clutch for 44104 and 93829 ... ..
2255	2509	Feed Wheel Retaining Clutch Cap for 44104 and 93829 ... ..
2256	2509	Feed Wheel Retaining Clutch Spring for 44104 and 93829 ... ..
2258	537	Feed Wheel for 44104 and 93829 ... ..
2265	2509	Feed Wheel Driver Spring for 44111 and 31K48 Machine ... ..
2266	2509	Feed Wheel Driver Spring Hook for 44101 and 93823 ... ..
2269	554	Driving Attachment Bobbin Winder Stop Latch Stop Pin for 16518 ... ..



No.	Plate	
2269	554	Oscillating Shaft Crank Pin for 31K45 Machine ... .. (Obsolete)
2269	554	Shuttle Driver Pin for 31K45 Machine (Obsolete)
2419	1012	Shuttle Race Back for 24325 ... ..
2455	1247	Bobbin Winder Tension Disc for 27308 ...
2455	1247	Driving Attachment Bobbin Winder Tension Disc for 27308 ... ..
2523	543	Shuttle Bobbin Case Position Finger Rivet for 62782 ... ..
2531	543	Shuttle Race Back for 24415 and 62753 ...
2532	1549	Presser Foot Hinge Pin for 20311 and 20346
2532	1549	Shuttle Race Back Position Pin for 24962, 24999, 62580 and 62751 ... ..
2533	543	Shuttle Race Back Spring for 24325, 24415, 24968 and 62753 ... ..
2762	536	Driving Attachment Treadle Stop Collar, with 362c, for 84696 ... ..
2763	535	Knee Lifter Rock Shaft for 84789 and 84835
2765	535	Knee Lifter Rock Shaft Knee Arm for 2768
2766	535	Knee Lifter Rock Shaft Knee Arm Hub, with 356c, for 2768 ... ..
2767	535	Knee Lifter Rock Shaft Knee Plate, with 356c, for 2768 ... ..
2768	—	Knee Lifter Rock Shaft Knee Arm 2765, with 2766 and 2767, for 84789 and 84835 ...
2770	535	Knee Lifter Rock Shaft Stop Dog, with 356c, for 84789 and 84835 ... ..
2778	535	Knee Lifter Rock Shaft Lifting Bracket Hook for 84789 and 84835 ... ..
2862	535	Balance Wheel (stand), heavy rim, 3" pulley, for 3022j, for all machines except 31K45
2878	536	Driving Attachment Treadle Stand for 27642
2928	1234	Driving Attachment Driving Arm Brake (leather) for 16518 ... ..
2973	543	Shuttle Bobbin Case Latch Lever for 15141 and 20650 ... ..
2974	543	Shuttle Bobbin Case Latch Lever Fulcrum Pin for 15141 and 20650 ... ..
2975	543	Shuttle Bobbin Case Latch Spring for 20756, 62740 and 62782 ... ..
2996	543	Shuttle Bobbin for 19292 ... ..
3022j	—	Clamp Stop Motion, complete, Nos. 248a, 256w, 2020 and 4933, for all machines except 31K45 ... ..
*3023	—	Clamp Stop Motion Flanged Bushing for all machines except 31K45 ... ..

No.	Plate	
3039	540	Feed Regulator for 31K15, 31K17, 31K20 and 31K22 Machines ... ..
3093	1549	Oscillating Shaft Crank Pin for all machines except 31K45 ... ..
3094	544	Thread Take-up Crank Wedge for all machines except 31K45 ... ..
3114	2509	Feed Wheel Friction Plate for 44104 and 93829 ... ..
4302	542	Needle Bar Thread Guard for 31K15, 31K20 and 31K32 Machines ... ..
4303	542	Needle Clamp, with 808f, for 31K15, 31K20 and 31K32 Machines ... ..
4307	544	Shuttle Race Slide Spring for 12432 and 24810 ... ..
4370	535	Balance Wheel (stand, heavy rim, 2 $\frac{3}{4}$ " pulley), with two 448c, for all machines except 31K45 ... ..
4784	—	Oscillating Rock Shaft Oil Pad for 24044 and 24105 ... ..
4933	539	Clamp Stop Motion Flanged Bushing, with two 462c, for 3022j ... ..
5570	2508	Feed Eccentric, with 446c, for 31K48 Machine ... ..
5596	—	Knee Lifter Bell Crank for 5598 ... ..
5598	542	Knee Lifter Bell Crank, 5596, with 5599, 5601 and 5735, for 84790 and 84836 ... ..
5599	—	Knee Lifter Bell Crank Bracket for 5598 ... ..
5601	1249	Knee Lifter Bell Crank Hinge Pin for 5598 ... ..
5604	—	Tucker Frame Rivet for 26517 ... ..
5709	543	Shuttle Race Cap for 62751 ... ..
5735	542	Knee Lifter Bell Crank Spring for 5598 ... ..
5960	555	Bobbin Winder Friction Wheel (leather) for 12171, 20308 and 93803 ... ..
5960	555	Driving Attachment Bobbin Winder Friction Wheel (leather) for 16515 ... ..
5961	555	Bobbin Winder Friction Wheel Washer for 12171, 20308 and 93803 ... ..
5961	555	Driving Attachment Bobbin Winder Friction Wheel Washer for 16515 ... ..
5963	555	Bobbin Winder Spindle Flange for 12171, 20308 and 93803 ... ..
5963	555	Driving Attachment Bobbin Winder Spindle Flange for 16515 ... ..
5990	1013	Presser Bar Lifter for 31K22 Machine ... ..
6312	—	Tuck Folding Attachment Tuck Folding Plate Holder Bar Binding Screw Washer for 86111 ... ..



No.	Plate	
6337	535	Knee Lifter Rock Shaft Lifting Bracket, with two 356c, for 84789 and 84835 ...
7298	1549	Presser Foot Hinge Pin for 19336 and 20270
7336	1013	Thread Take-up Spring Regulator for 44118
7958	1549	Driving Attachment Balance Wheel Friction Ring Stop Pin for 16592 ...
8582	542	Arm Dowel Pin ...
9082	554	Driving Attachment Treadle Bearing Cotter Pin for 27642 ...
9521	—	Ruffler Driving Lever Quadrant Friction Washer for 86069 ...
9521	—	Ruffler Driving Lever Quadrant Stud Screw Washer for 86069 ...
10141	1249	Bobbin Winder Tension Spring for 27308 ...
10141	1249	Driving Attachment Bobbin Winder Tension Spring for 27308 ...
10236	536	Driving Attachment Driving Friction Pulley Centre Bearing for 16594 ...
*11104	539	Arm Shaft Bushing (front) for 12355, 20313 and 44096 ...
11119	540	Arm Oil Tube (front of arm), with 52045, for oiling 12408 and 24068 for 12355, 20313 and 44096 ...
11167	537	Presser Bar Spring (light) ...
11170	541	Presser Bar Spring Washer ...
11204	540	Thread Take-up Lever Link Hinge Pin for 24943, 43990 and 43991 ...
11241	—	Bobbin Winder Spool Pin Washer (cloth) for 27308 ...
11241	—	Driving Attachment Bobbin Winder Spool Washer (cloth) for 27308 ...
12123	2508	Feed Forked Connection for 31K17 Machine
12142	2370	Presser Foot for 12370 and 43979, for 31K15, 31K20 and 31K22 Machines ...
12143	2370	Presser Foot for 12369, 12457 and 20106, for 31K15, 31K20 and 31K22 Machines ...
12144	2370	Presser Foot for 12372, 12437, 12455, 12468, 12481, 20002, 20117, 20138, 20147, 20151, 20158, 20162, 20304 and 20336, for 31K15, 31K20, 31K22 and 31K32 Machines ...
12150	—	Face Plate Thread Guard (lower) 44181, with 12152, for 20058 ...
12152	542	Face Plate Thread Guard (lower) Rivet for 12150 ...
12166	544	Thread Take-up Lever Hinge Pin for 12410 and 24070 ...



No.	Plate	
12168	555	Bobbin Winder Bracket for 12172, 20309 and 93804 ... ..
12169	555	Bobbin Winder Frame for 12171 ... ..
12170	554	Bobbin Winder Spring for 12172, 20309 and 93804 ... ..
12170	554	Driving Attachment Bobbin Winder Spring for 16522 ... ..
12171	555	Bobbin Winder Frame, complete, Nos. 333r, 5960, 5961, 5963, 12169 and 15077 for 12172 ... ..
12172	1237	Bobbin Winder (friction), complete, Nos. 32d, 180d, 12168, 12170 and 12171, for Tight Balance Wheel 4370 ... ..
12178	536	Driving Attachment Driving Arm Friction Plug (wood) for 16522 ... ..
12193	544	Arm Side Cover ... ..
12197	539	Feed Cam and Feed Lifting Eccentric, with 446c, for 31K17 and 31K32 Machines ... ..
12237	535	Knee Lifter Lifting Lever, with 448c, for 84790 and 84836 ... ..
12240	542	Knee Lifter Lifting Lever Pin for 84790 and 84836 ... ..
12241	541	Knee Lifter Lifting Lever Link for 84790 and 84836 ... ..
12258	1250	Presser Foot (wide) for 12369, 12457 and 20106, for 31K20 Machine ... ..
12259	2370	Presser Foot for 12425, for 31K15, 31K20 and 31K22 Machines ... ..
12260	2370	Presser Foot for 12437, 12450, 20147 and 20348, for 31K15, 31K20 and 31K22 Machines ... ..
12261	1250	Presser Foot for 12481 and 43978, for 31K20 Machine ... ..
12323	1249	Feed Regulator Handle Friction Spring for 31K32 Machine ... ..
12327	540	Presser Bar Lifting and Releasing Lever Bracket ... ..
12329	542	Tension Releasing Lever Spring ... ..
12332	1246	Feed Regulator and Reverser for 31K32 Machine ... ..
12333	1248	Feed Regulator Handle for 31K32 Machine
12335	1250	Presser Foot (narrow) for 12369, 12457 and 20106, for 31K20 Machine ... ..
*12355	—	Arm, with 11104, 11119, 12453, 12454, 15404, 24131 and two 15405, for 31K15, 31K17, 31K20, 31K22 and 31K48 Machines ... ..
12357	539	Arm Shaft Flanged Bushing (back) ... ..

No.	Plate	
12358	535	Balance Wheel (power), light rim, $2\frac{3}{16}$ " pulley, with two 448c, for all machines except 31K45 ... ..
*12360	—	Bed for all machines except 31K45 and 31K48
12361	541	Machine Hinge Connection (Accessories)
12368	542	Feed Bar for all machines except 31K45 and 31K48 ... ..
12369	551	Feed Dog for Cloth (12 teeth, 12 teeth to the inch), for 31K15, 31K20 and 31K22 Machines ... ..
12370	550	Feed Dog for Cloth (15 teeth, 16 teeth to the inch), for 31K15, 31K20 and 31K22 Machines ... ..
12372	550	Feed Dog for Shirt Work (bevelled for hemmer, 13 teeth, 12 teeth to the inch), for 31K15 Machine ... ..
12374	535	Feed Lifting Rock Shaft for 20001 ...
12376	539	Feed Lifting Rock Shaft Crank, with 157c and 1813, for 20001 and 44126 ...
12379	535	Feed Rock Shaft for 20333 ... ..
12381	535	Needle Bar (hollow) for 31K15, 31K20 and 31K32 Machines ... ..
12382	540	Needle Bar Connecting Link, with 794e, for 43997 ... ..
*12383	540	Needle Bar Connecting Stud for 12384 ...
12384	—	Needle Bar Connecting Stud 12383, with 453c and 1904, for 43997 ... ..
12388	537	Oscillating Rock Shaft Hinge Pin for 24044 and 24105 ... ..
12389	535	Oscillating Shaft for all machines except 31K45 ... ..
12391	535	Presser Bar (hollow) for 31K15, 31K20, 31K22 and 31K32 Machines ... ..
12393	543	Shuttle Body for 19292 ... ..
*12394	—	Shuttle Driver for 12444 ... ..
12398	542	Tension Releasing Lever Hinge Pin ...
12403	544	Arm Spool Pin and Thread Eyelet ...
12404	540	Thread Take-up Crank for 43990 ... ..
12406	554	Presser Foot for Inside Stays, $\frac{1}{16}$ " and $\frac{3}{32}$ ", for 31K15 Machine ... ..
12408	540	Thread Take-up Lever for 12410 ... ..
12409	540	Thread Take-up Lever Link for 12410 ...
12410	—	Thread Take-up Lever, complete, Nos. 12166, 12408 and 12409, for 43990 and 43991 ...
12411	551	Throat Plate (large needle hole) for 12369, 12457 and 20303, for 31K15, 31K20, 31K22 and 31K32 Machines ... ..



No.	Plate	
12412	550	Throat Plate (large needle hole) for 12370 and 43979, for 31K15, 31K20 and 31K22 Machines ... ..
12414	—	Throat Plate (large needle hole) for 12372, 20002 and 20304, for 31K15 and 31K32 Machines ... ..
12415	535	Knee Lifter Lifting Lever Connecting Rod for 84790 and 84836 ... ..
12416	541	Knee Lifter Lifting Lever Connecting Rod Joint for 84790 and 84836 ... ..
12424	541	Oscillating Shaft Crank Slide Block Cap Screw Washer for 19449 and 24050 ... ..
12425	552	Feed Dog for Cloth, for 31K15 and 31K20 Machines ... ..
12426	552	Throat Plate (large needle hole) for 12425, for 31K15 and 31K20 Machines ... ..
12427	535	Arm Shaft for all machines except 31K45 ... ..
12429	2508	Feed Forked Connection for 31K48 Machine
12431	—	Shuttle Race Slide for 12432 and 24810 ... ..
12432	544	Shuttle Race Slide, complete, Nos. 4307, 12431 and two 725e, for all machines except 31K48 ... ..
12436	551	Feed Dog for Leather (11 teeth, 18 teeth to the inch) for 31K17 Machine ... ..
12437	553	Feed Dog for Cloth (4 teeth at right of needle, square corner), for 31K15 Machine
12438	551	Throat Plate (large oblong needle hole) for 12436 and 20323, for 31K17 Machine ... ..
12440	553	Throat Plate (small needle hole) for 12437, for 31K15 Machine ... ..
12442	550	Throat Plate (small needle hole) for 12372, 20002 and 20304, for 31K15 and 31K32 Machines ... ..
12444	543	Shuttle Driver 12394, with two 1266c, for 31K15, 31K17, 31K32 and 31K48 Machines ... ..
12448	537	Needle Bar (hollow) for 31K17 and 31K48 Machines ... ..
12449	—	Throat Plate (small needle hole) for 12369, 12457 and 20303, for 31K15, 31K20, 31K22 and 31K32 Machines ... ..
12450	553	Feed Dog for Cloth (11 teeth, 18 teeth to the inch), for 31K15 and 31K20 Machines
12451	—	Throat Plate (small needle hole) for 12450 and 20348, for 31K15 and 31K20 Machines



No.	Plate	
12452	551	Throat Plate (small oblong needle hole) for 12436 and 20323, raised at Needle Hole for Top Stitching, for 31K17 Machine ...
12453	540	Arm Oil Tube for intermediate bearing, for 12355, 20313 and 44096 ...
12454	540	Arm Oil Tube, with 52045, for oiling 12409 and 24099, for 12355, 20313 and 44096 ...
12455	552	Feed Dog for Shirt Work (bevelled for hemmer) for 31K15 Machine ...
12456	552	Throat Plate (small needle hole) for 12455, for 31K15 Machine ...
12457	551	Feed Dog for Cloth (16 teeth, 16 teeth to the inch), for 31K15, 31K20 and 31K22 Machines ...
12464	553	Throat Plate (large needle hole) for 12450 and 20348, for 31K15 and 31K20 Machines ...
12465	—	Throat Plate (large needle hole) for 12437, for 31K15 Machine ...
12466	—	Throat Plate (small needle hole) for 12425, for 31K15 and 31K20 Machines ...
12467	554	Presser Foot for Umbrella Work, for 31K15 Machine ...
12468	553	Feed Dog for Shirt Work (16 teeth, 16 teeth to the inch), for 31K15 Machine ...
12469	—	Throat Plate (large needle hole) for 12468, for 31K15 Machine ...
12470	553	Throat Plate (small needle hole) for 12468, for 31K15 Machine ...
12474	554	Presser Foot for 12372, 12481, 20002, 20138 and 20162, for 31K15 and 31K20 Machines
12475	536	Driving Attachment Driving Arm Pitman for 84788 ...
12477	536	Driving Attachment Starting Crank Shaft for 44176 ...
12479	536	Driving Attachment Starting Crank for 44176
12480	542	Arm Side Cap ...
12481	550	Feed Dog (18 teeth, 16 teeth to the inch), for 31K15 and 31K20 Machines ...
12482	—	Throat Plate (large needle hole) for 12481 and 43978, for 31K15 and 31K20 Machines
12483	550	Throat Plate (small needle hole) for 12481 and 43978, for 31K15 and 31K20 Machines
15022	537	Feed Wheel 2258, coarse teeth, for 93829 ...
15072	1549	Bobbin Winder Spindle Bobbin Position Pin for 15077 and 27538 ...
15072	1549	Driving Attachment Bobbin Winder Spindle Bobbin Position Pin for 15077 ...

No.	Plate	
15077	555	Bobbin Winder Spindle, with 15072, for 12171, 20308 and 93803 ... ..
15077	555	Driving Attachment Bobbin Winder Spindle, with 15072, for 16515 ... ..
15132	1549	Driving Attachment Driving Arm Brake Rivet for 16518 ... ..
15140	543	Shuttle Bobbin Case Latch for 15141 ... ..
15141	543	Shuttle Bobbin Case Hinge, Nos. 2973, 2974 and 15140, for 62740 and 62782 ... ..
15278	1549	Shuttle Tension Spring for 62740 ... ..
*15404	—	Trade Mark for 12355, 20313 and 44096 ... ..
15405	—	Trade Mark Rivet for 12355, 20313 and 44096 ... ..
16514	—	Driving Attachment Bobbin Winder Frame for 16515 ... ..
16515	536	Driving Attachment Bobbin Winder Frame, complete, Nos. 333r, 5960, 5961, 5963, 15077 and 16514 for 16522 ... ..
16516	536	Driving Attachment Bobbin Winder Stop Latch, with 152f and 1550h, for 16522 ... ..
16518	536	Driving Attachment Driving Arm, with 2269, 2928 and two 15132, for 16522 ... ..
16522	—	Driving Attachment Driving Arm, complete, Nos. 32d, 75d, 180d, 427e, 693d, 1508e, 1579c, 12170, 12178, 16515, 16516, 16518, 16530 and 27303, for 84788 ... ..
16524	—	Driving Attachment Balance Wheel Friction Ring (leather) for 16592 ... ..
16530	536	Driving Attachment Bracket for 16522 ... ..
16556	539	Feed Lifting Rock Shaft Crank (back), with 462c, for 20001 ... ..
16572	1246	Roller Arm for 16579 and 16580 ... ..
16573	1246	Roller Arm for 16581 and 16582 ... ..
16579	—	Roller Presser, $\frac{7}{8}$ " coarse roller, complete, Nos. 1868 and 16572, for 31K17 and 31K48 Machines ... ..
16580	—	Roller Presser, $\frac{7}{8}$ " fine roller, complete, Nos. 1841 and 16572, for 31K17 and 31K48 Machines ... ..
16581	—	Roller Presser, $1\frac{1}{4}$ " coarse roller, complete, Nos. 1911 and 16573, for 31K17 and 31K48 Machines ... ..
16582	—	Roller Presser, $1\frac{1}{4}$ " fine roller, complete, Nos. 1912 and 16573, for 31K17 and 31K48 Machines ... ..
16592	536	Driving Attachment Balance Wheel (friction), with 7958, 16524 and two 435c, for 84788 ... ..



No.	Plate	
16594	536	Driving Attachment Driving Friction Pulley 2 $\frac{5}{16}$ " diam., with 861d and 10236, for 84788 ... ..
19131	1012	Shuttle Bobbin for 20758 ... ..
19165	2370	Presser Foot for 31K17 and 31K48 Machines
19223	—	Presser Foot Shank for 20311 ... ..
19229	1013	Needle Bar (hollow) for high lift, for 31K22 Machine ... ..
19292	543	Shuttle 1 $\frac{11}{16}$ " diam., complete, Nos. 2996, 12393 and 62740, for 31K15, 31K17, 31K32 and 31K48 Machines ... ..
19334	—	Presser Foot Plate for 19336 ... ..
19335	—	Presser Foot Shank for 19336 ... ..
19336	1250	Presser Foot (hinged), complete, Nos. 7298, 19334 and 19335 for 12370 and 43979, for 31K20 and 31K32 Machines ... ..
19405	—	Throat Plate (small needle hole) for 20117, for 31K20 Machine ... ..
19406	1012	Shuttle Driver, with two 1266c, for 31K20 and 31K22 Machines ... ..
19409	1231	Throat Plate (large needle hole) for 20138 and 20162, for 31K20 Machine ... ..
19410	—	Throat Plate (small needle hole) for 20138 and 20162, for 31K20 Machine ... ..
19412	1231	Throat Plate (large needle hole) for 20147, for 31K20 Machine ... ..
19413	—	Throat Plate (small needle hole) for 20147, for 31K20 Machine ... ..
19415	1231	Throat Plate (large needle hole) for 20151 and 44144, for 31K20 Machine ... ..
19416	—	Throat Plate (small needle hole) for 20151 and 44144, for 31K20 Machine ... ..
19418	1228	Throat Plate (large needle hole) for 20158, for 31K20 Machine ... ..
19419	—	Throat Plate (small needle hole) for 20158, for 31K20 Machine ... ..
19441	537	Presser Bar (hollow) for 19464 ... ..
19442	540	Roller Arm Bracket for 19464 ... ..
19443	540	Roller Arm Bracket Position Collar, with 456c, for 19464 ... ..
19444	2370	Roller Arm Bracket Spring for 24445 ... ..
19445	2370	Roller Arm Bracket Spring Pin for 24445 ... ..
19446	2370	Roller Arm Bracket Spring Stud for 24445 ... ..
*19447	—	Oscillating Shaft Crank, complete, Nos. 457c, 1518e, 19449 and 19496, for all machines except 31K45 ... ..



No.	Plate	
19448	544	Oscillating Shaft Crank Slide Block for 19449 and 24050 ... ..
19449	—	Oscillating Shaft Crank Slide Block, complete, Nos. 226d, 988c, 12424 and 19448, for 19447 and 44135 ... ..
19464	—	Presser Bar, complete, Nos. 190d, 19441 to 19443 and 24445, for 31K17, 31K45 and 31K48 Machines ... ..
19496	539	Oscillating Shaft Crank for 19447 ...
19497	1231	Throat Plate (large needle hole) for 20117, for 31K20 Machine ... ..
20001	—	Feed Lifting Rock Shaft, complete, Nos. 12374, 12376 and 16556, for 31K17 Machine ... ..
20002	550	Feed Dog, for Shirt Work (bevelled for hemmer, 18 teeth, 16 teeth to the inch), for 31K15 Machine ... ..
20006	537	Feed Wheel Frame Shaft for 44111 and 31K48 Machine ... ..
20011	549	Feed Dog for Leather (11 teeth), for 31K17 Machine ... ..
20012	549	Throat Plate (large oblong needle hole) for 20011, for 31K17 Machine ... ..
20038	1250	Presser Foot for 20303, for 31K32 Machine
20057	535	Face Plate for 20058 ... ..
20058	—	Face Plate, complete, Nos. 12150, 20057 and 139615 ... ..
20059	540	Presser Bar Guide Bracket, with 453c, for all machines except 31K22 and 31K45 ...
20060	544	Slack Thread Regulator for all machines except 31K45 ... ..
20106	1228	Feed Dog for Cloth, for 31K20 Machine ...
20107	1228	Throat Plate (small needle hole) for 20106, for 31K20 Machine ... ..
20114	2370	Presser Foot for 31K17 and 31K48 Machines
20117	1252	Feed Dog for Shirt Work (bevelled for hemmer, 16 teeth, 16 teeth to the inch) for 31K20 Machine ... ..
20119	1228	Feed Dog for heavy work on Duck, Overalls, etc., for 31K20 Machine ... ..
20120	1228	Throat Plate (large oblong needle hole) for 20119, for 31K20 Machine ... ..
20138	1252	Feed Dog for Shirt Work (bevelled for hemmer, 13 teeth, 12 teeth to the inch), for 31K20 Machine ... ..
20147	1252	Feed Dog (4 teeth at right of needle, square corner), for 31K20 Machine ... ..

No.	Plate	
20151	1252	Feed Dog for Shirt Work (bevelled for hemmer, 13 teeth, 14 teeth to the inch), for 31K20 Machine ... ..
20158	1228	Feed Dog for Shirt Work, for 31K20 Machine
20162	1252	Feed Dog for Shirt Work (bevelled for hemmer, 17 teeth, 16 teeth to the inch), for 31K20 Machine ... ..
20165	549	Throat Plate (small oblong needle hole) for 2258 and 15022, raised at needle hole for top stitching, for 31K48 Machine ...
20187	—	Throat Plate (small oblong needle hole) for 20119, for 31K20 Machine ... ..
20188	540	Needle Bar Crank, with 858c and 1065c, for all machines except 31K45 ... ..
20192	—	Throat Plate (small oblong needle hole) for 12436 and 20323, for 31K17 Machine ...
20197	535	Crank Connecting Rod, with 20198 and two 896e, for all machines except 31K45 ...
*20198	—	Crank Connecting Rod Cap for 20197 ...
20262	549	Throat Plate (large oblong needle hole) for 2258 and 15022, for 31K48 Machine ...
20263	—	Throat Plate (medium oblong needle hole) for 2258 and 15022, for 31K48 Machine
20264	—	Throat Plate (small oblong needle hole) for 2258 and 15022, for 31K48 Machine ...
20268	—	Presser Foot Plate for 20270 ... ..
20269	—	Presser Foot Shank for 20270 ... ..
20270	1250	Presser Foot (hinged), complete, Nos. 7298, 20268 and 20269 for 12369, 12457 and 20106, for 31K20 Machine ... ..
20271	2370	Presser Foot for Beading and Top Stitching, for 31K17 Machine ... ..
20272	2370	Presser Foot for Shoe Tips and Gores, for 31K17 Machine ... ..
20273	2370	Presser Foot for Inside Stays, for 31K17 Machine ... ..
20274	2370	Presser Foot for Outside Stays, for 31K17 Machine ... ..
20283	539	Feed and Feed Lifting Eccentric, with 446c, for 31K15, 31K20 and 31K22 Machines ...
20284	535	Feed Forked Connection for 31K15, 31K20, 31K22 and 31K45 Machines ... ..
20293	—	Throat Plate (small oblong needle hole) for 20011, for 31K17 Machine ... ..
20303	1252	Feed Dog (reversible) for 31K32 Machine ...
20304	1252	Feed Dog (reversible) for 31K32 Machine ...
20307	1237	Bobbin Winder Frame for 20308 ... ..



No.	Plate	
20308	1237	Bobbin Winder Frame, complete, Nos. 333r, 5960, 5961, 5963, 15077 and 20307, for 20309 ... ..
20309	—	Bobbin Winder (friction), complete, Nos. 32d, 180d, 12168, 12170 and 20308, for Tight Balance Wheels 12358 and 24328 ...
20310	—	Presser Foot Plate for 20311 ... ..
20311	1250	Presser Foot (hinged), complete, Nos. 2532, 19223 and 20310 for 20117, 20138, 20147, 20151, 20158 and 20162, for 31K20 Machine ... ..
*20313	—	Arm, with 11104, 11119, 12453, 12454, 15404, 24131 and two 15405, for 31K32 Machine
20315	—	Throat Plate (large needle hole) for 20106, for 31K20 Machine ... ..
20323	551	Feed Dog (8 teeth, 12 teeth to the inch), for 31K17 Machine ... ..
20328	1250	Presser Foot for 20303, for 31K32 Machine ...
20333	—	Feed Rock Shaft, complete, Nos. 12379 and 29633, for all machines except 31K45 and 31K48 ... ..
20336	541	Feed Dog for Shirt Work (bevelled for hemmer) for 31K15 Machine ... ..
20337	541	Throat Plate (large needle hole) for 20336, for 31K15 Machine ... ..
20338	—	Throat Plate (small needle hole) for 20336, for 31K15 Machine ... ..
20342	1250	Presser Foot for 12450 and 20348, for 31K20 Machine ... ..
20343	1250	Presser Foot, with guide on bottom to the right of needle hole, for 12369, 12450, 12457 and 20348, for 31K20 Machine ...
20344	—	Presser Foot Plate for 20346 ... ..
20345	—	Presser Foot Shank for 20346 ... ..
20346	1250	Presser Foot (spring hinged), complete, Nos. 2532, 20344, 20345 and 26231 for 20117, 20138, 20147, 20151, 20158 and 20162, for 31K20 Machine ... ..
20348	1252	Feed Dog for Chiffon (22 teeth, 36 teeth to the inch), for 31K20 Machine ... ..
20371	554	Driving Attachment Driving Arm Pitman Crank for 44176 ... ..
20372	536	Driving Attachment Driving Arm Pitman Crank Spring for 84788 ... ..
20458	1250	Presser Foot for 44136, for 31K20 Machine ...
20649	1249	Shuttle Bobbin Case Latch for 20650 ...



No.	Plate	
20650	1249	Shuttle Bobbin Case Hinge, Nos. 2973, 2974 and 20649, for 20756 ... ..
20654	1012	Shuttle Tension Spring for 20756 ... ..
20756	1012	Shuttle Bobbin Case with 591f, 592e, 2975, 20650 and 20654, for 20758 ... ..
20757	1012	Shuttle Body for 20758 ... ..
20758	1249	Shuttle, $1\frac{11}{16}$ " diam., complete, Nos. 19131, 20756 and 20757, for 31K20 and 31K22 Machines ... ..
21202	1248	Shuttle Race Ring (front) Clamp Friction Washer for 24968 ... (Obsolete)
24009	1012	Shuttle Race Cap for 24999 ... ..
24028	1253	Crank Connecting Rod, with 24085 and two 896e, for 31K45 Machine (Obsolete)
24036	539	Feed and Feed Lifting Eccentric Sleeve for 31K15, 31K20 and 31K22 Machines ... ..
24036	539	Feed Eccentric Sleeve for 31K45 Machine (Obsolete)
24038	1247	Needle Bar, with 857h, for 31K45 Machine (Obsolete)
24040	1247	Needle Bar Connecting Link, with 794e, for 24894 ... .. (Obsolete)
24041	1247	Needle Bar Connecting Stud, with 207f, for 24894 ... .. (Obsolete)
24043	1253	Oscillating Rock Shaft for 24044 (Obsolete)
24044	—	Oscillating Rock Shaft, complete, Nos. 4784, 12388 and 24043, for 31K45 Machine (Obsolete)
24046	1247	Oscillating Shaft Bushing (back) for 31K45 Machine ... .. (Obsolete)
24047	1247	Oscillating Shaft Bushing (front) for 31K45 Machine ... .. (Obsolete)
24048	1249	Oscillating Shaft Crank for 24049 (Obsolete)
24049	—	Oscillating Shaft Crank, complete, Nos. 462c, 1636e, 24048 and 24050, for 31K45 Machine ... .. (Obsolete)
24050	—	Oscillating Shaft Crank Slide Block, complete, Nos. 226d, 1035c, 12424 and 19448, for 24049 ... .. (Obsolete)
24051	1249	Shuttle Bobbin for 24059 (Obsolete)
24052	1253	Needle Bar Crank, with 858c, 1036c, 1037c and 1065c, for 31K45 Machine (Obsolete)
*24055	1249	Shuttle Bobbin Case Position Finger for 62782 ... .. (Obsolete)
24057	1249	Shuttle Body for 24059 ... (Obsolete)

No.	Plate	
24059	1249	Shuttle, $1\frac{11}{16}$ " diam., complete, Nos. 24051, 24057 and 62782, for 31K45 Machine (Obsolete)
24061	1248	Shuttle Driver, with two 462c, for 31K45 Machine ... .. (Obsolete)
24062	1248	Shuttle Race Back for 24968 (Obsolete)
24068	1247	Thread Take-up Lever for 24070 (Obsolete)
24070	—	Thread Take-up Lever, complete, Nos. 12166, 24068 and 24099, for 24943 (Obsolete)
24075	—	Oil Cup Extension Post for 44005 ...
*24085	—	Crank Connecting Rod Cap for 24028 (Obsolete)
24097	1247	Thread Take-up Crank for 24943 (Obsolete)
24099	1247	Thread Take-up Lever Link for 24070 ...
24101	1247	Needle Clamp Body for 24103 ... ..
24102	1013	Needle Clamp Thread Guard for 24103 ...
24103	1013	Needle Clamp, complete, Nos. 651d, 808f, 24101 and 24102, for 31K22 Machine ...
24104	541	Oscillating Rock Shaft for 24105 ... ..
24105	—	Oscillating Rock Shaft, complete, Nos. 4784, 12388 and 24104, for all machines except 31K45 ... ..
24131	540	Arm Oil Tube, with 52045, for oiling 12197, 20283 and 24036, for 12355, 20313 and 44096 ... ..
24297	536	Balance Wheel Oil Cover for 2135, 2862 and 24328 ... ..
24297	536	Driving Attachment Balance Wheel Oil Cover for 84788 ... ..
24323	1012	Shuttle Bobbin Case Position Plate for 24325
24324	—	Shuttle Race Body for 24999 ... ..
24325	1012	Shuttle Race, complete, Nos. 907d, 2419, 2533, 24323, 24999 and two 391j, for 31K20 and 31K22 Machines ... ..
24328	—	Balance Wheel (light rim, $2\frac{1}{4}$ " pulley), with two 448c, for 31K45 Machine (Obsolete)
24412	543	Shuttle Bobbin Case Position Plate for 24415 and 62753 ... ..
24413	—	Shuttle Race Body for 24962 ... ..
24414	543	Shuttle Race Cap for 24962 ... ..
24415	537	Shuttle Race, complete, Nos. 907d, 2531, 2533, 24412, 24962 and two 391j, for 31K15, 31K17 and 31K32 Machines ... ..
24445	—	Roller Arm Bracket Spring Stud, complete, Nos. 987e and 19444 to 19446, for 19464
24544	—	Presser Foot Plate for 24983 ... ..



No.	Plate	
24810	2508	Shuttle Race Slide, complete, Nos. 4307, 12431 and two 1208e, for 31K48 Machine
24894	—	Needle Bar Connecting Link 24040, with 24041, for 24943 ... (Obsolete)
24903	1246	Roller Arm for 24904 and 24905 ... ..
24904	—	Roller Presser, $\frac{9}{16}$ " coarse roller, complete, Nos. 24903 and 51801, for 31K17 and 31K48 Machines ... ..
24905	—	Roller Presser, $\frac{9}{16}$ " fine roller, complete, Nos. 24903 and 51802, for 31K17 and 31K48 Machines ... ..
24943	—	Thread Take-up Lever 24070, with 775e, 11204, 24097 and 24894, for 31K45 Machine ... .. (Obsolete)
24962	—	Shuttle Race Body 24413, with 24414, two each 1053d and 2532, for 24415 ... ..
24963	—	Shuttle Race Body for 62580 (Obsolete)
24964	1248	Shuttle Race Cap for 62580 (Obsolete)
24965	1248	Shuttle Race Ring (front) for 24968 (Obsolete)
24966	1248	Shuttle Race Ring (front) Clamp (left) for 24968 ... .. (Obsolete)
24967	1248	Shuttle Race Ring (front) Clamp (right) for 24968 ... .. (Obsolete)
24968	1248	Shuttle Race (sectional), complete, Nos. 907d, 2533, 24062, 24965 to 24967, 62580, two each 85d and 21202, for 31K45 Machine ... .. (Obsolete)
24982	—	Presser Foot Shank for 24983 ... ..
24983	1250	Presser Foot (spring hinged), complete, Nos. 24544, 24982, 26231 and 62527, for 12425, 12481, 20119 and 44136, for 31K15 and 31K20 Machines ... ..
24999	—	Shuttle Race Body 24324, with 24009, two each 1053d and 2532, for 24325 ... ..
25537	1234	Screw Driver (machine) ... (Accessories)
25866	542	Guide for flush throat plates ... ..
25874	542	Guide for raised throat plates ... ..
25878	1234	Guide for 31K45 Machine (Obsolete)
26089	—	Tucker Frame for 26517 ... ..
26090	—	Tucker Rocking Bar for 26517 ... ..
26093	—	Tucker Stop Bracket for 26517 ... ..
26094	—	Tucker Tuck Guide for 26517 ... ..
26095	—	Tucker Tuck Marking Plate for 26517 ... ..
26096	—	Tucker Tuck Marker Guide Clamp for 26517
26097	—	Tucker Tuck Marker Guide Rod for 26517 ... ..
26098	—	Tucker Tuck Smoothing Spring for 26517 ... ..
26129	—	Tucker Foot for 26517 ... ..



No.	Plate	
26231	—	Presser Foot Spring for 20346 and 24983 ...
26514	—	Tucker Rocking Bar Lifting Spring for 26517
26517	1234	Tucker, complete, Nos. 233b, 561b, 658b, 5604, 26089, 26090, 26093 to 26098, 26129, 26514, 26555 and 26775, for 31K15 Machine ... ..
26555	—	Tucker Rocking Bar Protector for 26517 ...
26775	—	Tucker Driving Lever for 26517 ... ..
27302	1458	Bobbin Winder Frame for 27647, 27650, 27651, 27700, 27875 and 41548 ...
27303	554	Bobbin Winder Frame Spring for 27647, 27650, 27651, 27700, 27875 and 41548 ...
27303	554	Driving Attachment Bobbin Winder Stop Latch Spring for 16522 ... ..
27306	1253	Bobbin Winder Spool Pin for 27308 ...
27306	1253	Driving Attachment Bobbin Winder Spool Pin for 27308 ... ..
27307	—	Bobbin Winder Spool Stand for 27308 ...
27307	—	Driving Attachment Bobbin Winder Spool Stand for 27308 ... ..
†27308	770	Bobbin Winder Spool Stand, complete, Nos. 418e, 1562j, 2106, 10141, 11241, 27306, 27307, two each 2455 and wood screws 1" No. 10, for 27544, 27554, 27588, 27701, 27876 and 41549 ... ..
†27308	770	Driving Attachment Bobbin Winder Spool Stand, complete, Nos. 418e, 1562j, 2106, 10141, 11241, 27306, 27307, two each 2455 and wood screws 1" No. 10, for 84788 ...
† As No. 27308 can be supplied either Plated or Japanned, it is necessary, when ordering, to state which is required.		
27312	1237	Bobbin Winder Stop Latch for 27647 and 27650 ... ..
27538	1458	Bobbin Winder Spindle 27849, with 15072, 27850 and 41828, for 27647, 27650, 27651, 27700, 27875 and 41548 ... ..
27540	1458	Bobbin Winder Base for 27647, 27875 and 41548 ... ..
27541	1458	Bobbin Winder Pulley for 27647, 27875 and 41548 ... ..
27544	—	Bobbin Winder (swinging automatic, right hand), complete, Nos. 27308 and 27647, for 2996, for machines when used on Stand ... ..
27552	1457	Bobbin Winder Base for 27650, 27651 and 27700 ... ..

No.	Plate	
27553	1457	Bobbin Winder Pulley for 27650, 27651 and 27700 ... ..
27554	—	Bobbin Winder (swinging automatic, right hand), complete, Nos. 27308 and 27650, for 2996, for machines when used on Power Table ... ..
27587	1237	Bobbin Winder Stop Latch for 27651 and 27875 ... ..
27588	—	Bobbin Winder (swinging automatic, right hand), complete, Nos. 27308 and 27651, for 19131 ... ..
27636	536	Driving Attachment Treadle for 27642 ...
27637	536	Driving Attachment Treadle Pitman Rod (lower) for 84696 ... ..
27638	536	Driving Attachment Treadle Pitman Rod (lower) Spring for 84696 ... ..
27642	—	Driving Attachment Treadle, complete, Nos. 2878, 9082 27636 and four wood screws 1" No. 16, for 84698 ... ..
27647	—	Bobbin Winder, Nos. 35b, 1620j, 27302, 27303, 27312, 27538, 27540, 27541, 50356b and two wood screws 1" No. 7, for 27544 ... ..
27650	1457	Bobbin Winder, Nos. 35b, 1620j, 27302, 27303, 27312, 27538, 27552, 27553, 50356b and two wood screws 1" No. 7, for 27554 ... ..
27651	1457	Bobbin Winder, Nos. 35b, 1620j, 27302, 27303, 27538, 27552, 27553, 27587, 50356b and two wood screws 1" No. 7, for 27588 ... ..
27699	1237	Bobbin Winder Stop Latch for 27700 and 41548 ... ..
27700	1457	Bobbin Winder, Nos. 35b, 1620j, 27302, 27303, 27538, 27552, 27553, 27699, 50356b and two wood screws 1" No. 7, for 27701 ... ..
27701	—	Bobbin Winder (swinging automatic, right hand), complete, Nos. 27308 and 27700, for 24051 ... ..
*27849	—	Bobbin Winder Spindle for 27538 ...
*27850	—	Bobbin Winder Spindle Collar for 27538 ...
27875	1457	Bobbin Winder, Nos. 35b, 1620j, 27302, 27303, 27538, 27540, 27541, 27587, 50356b and two wood screws 1" No. 7, for 27876 ... ..



No.	Plate	
27876	—	Bobbin Winder (swinging automatic, right hand), complete, Nos. 27308 and 27875 for 19131, for machines when used on Stand ... ..
29532	1247	Needle Bar Oil Cup for 52013 (Obsolete)
29633	539	Feed Rock Shaft Crank, with 157c, for 20333, 44100 and 93822 ... ..
32572	1013	Tension Releasing Disc for 44118 ... ..
32574	1013	Tension Releasing Pin for 44118 ... ..
36569	—	Oiler ... .. (Accessories)
41548	1457	Bobbin Winder, Nos. 35b, 1620j, 27302, 27303, 27538, 27540, 27541, 27699, 50356b and two wood screws 1" No. 7, for 41549 ... ..
41549	—	Bobbin Winder (swinging automatic, right hand), complete, Nos. 27308 and 41548, for 24051, for machines when used on Stand ... ..
41828	—	Bobbin Winder Spindle Collar Pin for 27538
43917	1013	Presser Bar Guide Bracket, with 453c, for 31K22 Machine ... ..
43944	1013	Tension Releasing Lever, for all machines except 31K22 ... ..
43945	1013	Tension Spring for 44118 ... ..
43946	1013	Thread Take-up Spring for 44118 ... ..
43947	1013	Thread Take-up Crank for 43991 ... ..
43976	2508	Feed Lifting Rock Shaft Crank Connecting Rod, with 43977 and two 966e, for all machines except 31K45 and 31K48 ... ..
*43977	—	Feed Lifting Rock Shaft Crank Connecting Rod Cap for 43976 ... ..
43978	2369	Feed Dog (24 teeth, 22 teeth to the inch), for 31K20 Machine ... ..
43979	2369	Feed Dog for Cloth (21 teeth, 22 teeth to the inch), for 31K20 Machine ... ..
43980	1013	Tension Releasing Lever for 31K22 Machine
43981	1237	Bobbin Winder Frame for 93803 ... ..
43990	—	Thread Take-up, complete, Nos. 775e, 11204, 12404, 12410 and 43997, for 31K15, 31K17, 31K20, 31K32 and 31K48 Machines ... ..
43991	—	Thread Take-up, complete, Nos. 775e, 11204, 12410, 43947 and 43997, for 31K22 Machine ... ..
43997	—	Needle Bar Connecting Link 12382, with 12384, for 43990 and 43991 ... ..



No.	Plate	
44003	1254	Feed Forked Connection for 31K32 Machine
44004	—	Oil Cup for 44007 ... ..
44005	—	Oil Cup Extension 44214, with 24075, for 44007 ... ..
44006	—	Oil Cup Packing (felt) for 44007 ... ..
44007	541	Oil Cup, complete, Nos. 44004 to 44006, for 31K17 and 31K48 Machines ... ..
*44096	—	Arm, with 11104, 11119, 12453, 12454, 15404, 24131 and two 15405, for 31K45 Machine (Obsolete)
*44097	—	Bed for 31K45 Machine ... (Obsolete)
44099	1254	Feed Rock Shaft for 44100 (Obsolete)
44100	—	Feed Rock Shaft, complete, Nos. 29633 and 44099, for 31K45 Machine (Obsolete)
44101	1249	Feed Wheel Driver, with 2266, for 44111 (Obsolete)
44102	1249	Feed Wheel Driver Link for 44111 and 31K48 Machine ... ..
44103	1253	Feed Wheel Frame, with 453c, for 44104 (Obsolete)
44104	—	Feed Wheel Frame, complete, Nos. 151c, 240d, 2252, 2254 to 2256, 2258, 3114, 44103, 50295c, two each 183c and 1520r, for 44111 ... .. (Obsolete)
44105	1254	Oscillating Shaft for 31K45 Machine (Obsolete)
44106	1246	Roller Arm for 44107 ... (Obsolete)
44107	—	Roller Presser, $\frac{7}{8}$ " fine roller, complete, Nos. 1986 and 44106, for 31K45 Machine (Obsolete)
44110	1252	Throat Plate for 2258, for 44111 (Obsolete)
44111	—	Wheel Feed, complete, Nos. 1655e, 2265, 12432, 20006, 44101, 44102, 44104, 44110, 62507 and two 61f, for 31K45 Machine (Obsolete)
44114	1254	Arm Shaft for 31K45 Machine (Obsolete)
44118	—	Tension, complete, Nos. 7336, 32572, 32574, 43945, 43946, 44141 and two 2102 ...
44125	1254	Feed Lifting Rock Shaft for 44126 ...
44126	—	Feed Lifting Rock Shaft, complete, Nos. 12376 and 44125, for 31K15, 31K20, 31K22 and 31K32 Machines ... ..
44134	2369	Oscillating Shaft Crank for 44135 ...
44135	—	Oscillating Shaft Crank, complete, Nos. 1518e, 19449, 44134 and two 453c, for all machines, except 31K45 ... ..

No.	Plate	
44136	554	Feed Dog for Tailor Work, for 31K15, 31K20 and 31K22 Machines ... ..
44137	554	Throat Plate (large needle hole) for 44136, for 31K15, 31K20 and 31K22 Machines
44138	—	Throat Plate (small needle hole) for 44136 for 31K15, 31K20 and 31K22 Machines
44141	—	Tension Screw Stud 50327c with 1560c, for 44118 ... ..
44144	2369	Feed Dog (bevelled for hemmer, 22 teeth, 24 teeth to the inch), for 31K20 Machine
44176	—	Driving Attachment Starting Crank Shaft 12477, with 12479, 20371 and two 2022, for 84788 ... ..
44181	1249	Face Plate Thread Guard (lower) for 12150 ...
44214	—	Oil Cup Extension for 44005 ... ..
44216	1549	Needle Bar Thread Guard for 31K17 and 31K48 Machines ... ..
45874	2369	Face Plate Thread Guard (upper) for 139615
50295c	1255	Feed Wheel Frame Adjusting Screw for 44104
50327c	2371	Tension Screw Stud for 44141 ... ..
50356b	1255	Bobbin Winder Frame Hinge Screw for 27647, 27650, 27651, 27700, 27875 and 41548 ... ..
51224d	2371	Arm Side Cover Thumb Screw ... ..
51224d	2371	Face Plate Thumb Screw ... ..
51801	1246	Roller $\frac{9}{16}$ " diam., coarse, with 388d and 1550j, for 24904 ... ..
51802	—	Roller $\frac{9}{16}$ " diam., fine, with 388d and 1550j, for 24905 ... ..
52013	1247	Needle Bar Bushing, with 29532, for 31K45 Machine ... (Obsolete)
52026	1249	Thread Eyelet for 31K45 Machine (Obsolete)
52045	—	Arm Oil Tube Packing (cotton wick) for 11119, 12454 and 24131 ... ..
52165	539	Feed Connecting Link ... ..
52337	1249	Slack Thread Regulator for 31K45 Machine (Obsolete)
52338	1247	Presser Bar Guide Bracket, with 223c and 453c, for 31K45 Machine (Obsolete)
52454	1246	Thread Retainer ... ..
62507	1549	Feed Eccentric, with 446c, for 44111 (Obsolete)
62508	1549	Feed Regulator for 31K45 and 31K48 Machines ... ..
62527	1549	Presser Foot Hinge Pin for 24983 ...
62580	—	Shuttle Race Body 24963, with 24964, two each 662d and 2532, for 24968 (Obsolete)

No.	Plate	
62740	1549	Shuttle Bobbin Case with 591f, 592e, 2975, 15141 and 15278, for 19292 ... ..
62749	1552	Shuttle Race Body for 62751 ... ..
62751	—	Shuttle Race Body 62749, with 5709, two each 662d and 2532, for 62753 ... ..
62753	1552	Shuttle Race, complete, Nos. 907d, 2531, 2533, 24412, 62751 and two 391j, for 31K48 Machine ... ..
*62780	—	Shuttle Bobbin Case for 62782 (Obsolete)
62781	1231	Shuttle Tension Spring for 62782 (Obsolete)
62782	1231	Shuttle Bobbin Case, complete, Nos. 591f, 592e, 2523, 2975, 15141, 24055, 62780 and 62781, for 24059 ... (Obsolete)







No.	Plate	
80223	536	Driving Attachment Treadle Pitman Rod Clamp, with 361c, for 84696 ... ..
80864	—	Drip Pan, with four wood screws $\frac{1}{2}$ " No. 5, for all machines with S.D.A. except 31K45 and 31K48 ... ..
80865	—	Drip Pan, with four wood screws $\frac{1}{2}$ " No. 5, for 31K45 and 31K48 Machines ... ..
80866	1253	Knee Lifter Rock Shaft Bracket for 84835
84278	—	Driving Attachment Shaft Driving Pulley (sectional, grooved, 12" diam.), with two 597c, for 84788 ... ..
84695	536	Driving Attachment Treadle Pitman Rod (upper) for 84696 ... ..
84696	536	Driving Attachment Treadle Pitman, com- plete, Nos. 2762, 27637, 27638, 80223 and 84695, for 84698 ... ..
84698	—	Driving Attachment Treadle and Pitman, complete, Nos. 27642 and 84696, for 84788
84788	—	Driving Attachment, complete, Nos. 210d, 692d, 12475, 16522, 16592, 16594, 20372, 24297, 27308, 44176, 84278, 84698 and two 65d ... ..
84789	535	Knee Lifter Rock Shaft, complete, Nos. 2763, 2768, 2770, 2778, 6337, two 97502 and four wood screws 1" No. 10, for 84790 ...
84790	—	Knee Lifter, complete, Nos. 76d, 766d, 802d, 1521e, 5598, 12237, 12240, 12241, 12415, 12416, 84789 and two 178e, for 31K15, 31K17, 31K20, 31K22 and 31K32 Machines ... ..
84835	—	Knee Lifter Rock Shaft, complete, Nos. 2763, 2768, 2770, 2778, 6337, two 80866 and four wood screws 1" No. 10, for 84836 ...
84836	—	Knee Lifter, complete, Nos. 76d, 766d, 802d, 1521e, 5598, 12237, 12240, 12241, 12415, 12416, 84835 and two 178e, for 31K45 and 31K48 Machines ... ..
85200	535	Balance Wheel (stand, heavy rim, $2\frac{1}{2}$ " pulley), with two 448c, for all machines except 31K45 ... ..
85320	558	Binder Folder for 85692 and 86452 ... ..
85321	557	Binder Tape Tension, complete, Nos. 85322, 85324 and eight 85323, for 85692, 85698 and 86452 ... ..
85322	—	Binder Tape Tension Plate for 85321 ... ..
85323	—	Binder Tape Tension Pin (straight) for 85321, 85339 and 85700 ... ..



No.	Plate	
85324	—	Binder Tape Tension Pin (bent) for 85321, 85339 and 85700 ... ..
85325	186	Binder Folder Screw Washer for 85681, 85685, 85692, 85712 and 86452 ...
85325	186	Binder Screw Washer for 85707 and 85713 ...
85325	186	Binder Tape Guide Bracket Screw Washer for 85712 ... ..
85325	186	Binder Tape Guide Screw Washer for 85712
85325	186	Binder Tape Tension Screw Washer for 85685, 85692, 85698 and 86452 ...
85325	186	Ruffler Ruffling Blade Lever Stud Screw Washer for 86069 ... ..
85335	1251	Binder Folder, complete, Nos. 85336 to 85338 and four 233d, for 85685 ...
85336	—	Binder Folder Base for 85335 ... ..
85337	—	Binder Folder Folding Plate (top) for 85335
85338	—	Binder Folder Folding Plate (bottom) for 85335 ... ..
85339	558	Binder Tape Tension, complete, Nos. 85324, 85340 and four 85323, for 85685 ...
85340	—	Binder Tape Tension Plate for 85339 ... ..
85382	—	Corder Guide Extension Guide for 85877 ...
85391	—	Presser Foot Spring for 85884 ... ..
85412	200	Corder Screw Washer for 85875 ... ..
85413	—	Corder Guide Finger Hinge Pin for 85873 ...
85414	—	Corder Guide Finger Eyelet for 85871 ...
85416	—	Corder Guide Finger Tip Rivet for 85871 ...
85446	—	Hemmer Base, complete, Nos. NN40d, 85447 and 85448, for use with 86005, 86008 and 86010 ... ..
85447	88	Hemmer Base, with SS54e, for 85446 ... ..
85448	88	Hemmer Base Stud Screw Thumb Nut Washer for 85446 ... ..
85458	559	Binder Folder, complete, Nos. 85459 to 85462, two 207d and four SS50d, for 85681
85459	559	Binder Folder Base for 85458 ... ..
85460	559	Binder Folder (top) for 85458 ... ..
85461	—	Binder Folder (bottom) for 85458 ... ..
85462	559	Binder Folder Roller Guide Nos. 701d, 85463 and 85464, for 85458 ... ..
85463	—	Binder Folder Roller Guide Bracket for 85462
85464	—	Binder Folder Roller Guide Roller for 85462
85597	186	Binder for 85700 ... ..
85603	187	Binder for 85712 ... ..
85604	187	Binder Folder for 85712 ... ..
85605	187	Binder Tape Guide for 85712 ... ..
85606	187	Binder Tape Guide Bracket for 85712 ...

No.	Plate		
85607	—	Binder Tape Tension Pin for 85712	...
85614	1251	Binder Folder for 85698	...
85616	—	Binder Presser Foot Bracket Hinge Pin for 85696	... ..
85678	559	Binder Feed Dog for 85681	...
85679	559	Binder Presser Foot for 85681	...
85680	559	Binder Throat Plate for 85678, for 85681	...
85681	559	Binder, complete, Nos. 85458, 85678 to 85680, two each 176d and 85325, for Cap Peak Work, for 31K15 Machine	...
85682	558	Binder Feed Dog for 85685	...
85683	558	Binder Presser Foot for 85685	...
85684	558	Binder Throat Plate for 85682, for 85685	...
85685	558	Binder, complete, Nos. SS50d, 207d, 85335, 85339, 85682 to 85684 and two 85325, for Cardigan Jackets, for 31K15 Machine	...
85686	558	Binder Feed Dog for 85692	...
85687	—	Binder Presser Foot Bracket for 85690	...
85688	—	Binder Presser Foot Bracket Hinge Pin for 85690	... ..
85689	—	Binder Presser Foot Sole for 85690	...
85690	558	Binder Presser Foot (hinged), complete, Nos. 85687 to 85689, for 85692 and 86452	...
85691	558	Binder Throat Plate for 85686, for 85692	...
85692	558	Binder, $\frac{1}{2}$ ", complete, Nos. 85320, 85321, 85686, 85690, 85691, two each SS50d and 85325, for general work, for 31K15 Machine	... ..
85693	557	Binder Feed Dog for 85698	...
85694	—	Binder Presser Foot Bracket for 85696	...
85695	—	Binder Presser Foot Sole for 85696	...
85696	557	Binder Presser Foot (hinged), complete, Nos. 85616, 85694 and 85695, for 85698	...
85697	557	Binder Throat Plate for 85693, for 85698	...
85698	557	Binder, $\frac{1}{2}$ ", complete, Nos. SS50d, SS65d, 85321, 85325, 85614, 85693, 85696 and 85697, for Stay Work, for 31K15 Machine	...
85699	186	Binder Base for 85700	...
85700	186	Binder and Tension only, complete, Nos. 85324, 85597, 85699 and nine 85323, for 85707	... ..
85701	186	Binder Feed Dog for 85707 and 85713	...
85702	—	Binder Presser Foot Bracket for 85705	...
85703	—	Binder Presser Foot Bracket Hinge Pin for 85705	... ..
85704	—	Binder Presser Foot Sole for 85705	...



No.	Plate	
85705	186	Binder Presser Foot (hinged), complete, Nos. 85702 to 85704, for 85707 and 85713 ...
85706	186	Binder Throat Plate for 85701, for 85707 and 85713 ... ..
85707	186	Binder, $\frac{1}{2}$ " , complete, Nos. SS50d, 85325, 85700, 85701, 85705 and 85706 for Stay Work, for 31K15 Machine ... ..
85711	187	Binder Base for 85712 ... ..
85712	187	Binder Folder and Tension only, complete, Nos. 85603 to 85606, 85711, three each 207d, 85325 and seven 85607, for 85713
85713	187	Binder, $\frac{9}{16}$ " , complete, Nos. SS50d, 85325, 85701, 85705, 85706 and 85712 for Stay Work, for 31K15 Machine ... ..
85783	—	Corder Base for 85873 ... ..
85864	564	Tuck Folding Attachment Feed Dog for 86120 ... ..
85866	564	Tuck Folding Attachment Throat Plate for 85864, for 86120 ... ..
85868	201	Corder Bow for 85870 ... ..
85869	201	Corder Presser Foot for 85870 ... ..
85870	201	Corder (bow), complete, Nos. 759d, 85868 and 85869 for Top Cording, for 31K15 Machine
85871	—	Corder Guide Finger, with 85414, 85872 and two 85416, for 85873 ... ..
85872	—	Corder Guide Finger Tip for 85871 ... ..
85873	200	Corder only, complete, Nos. SS28b, 879d, 85413, 85783 and 85871, for 85875 ... ..
85874	200	Corder Presser Foot for 85875 ... ..
85875	200	Corder, complete, Nos. SS44d, 85412, 85873 and 85874, for Top Cording, for 31K15 Machine ... ..
85876	—	Corder Guide Presser Foot for 85877 ... ..
85877	562	Corder Guide (adjustable), complete, Nos. 228d, 85382 and 85876, for 31K15 Machine
85881	562	Cording and Hemming Foot for 31K15 Machine ... ..
85882	557	Feed Dog for 85886 ... ..
85883	—	Presser Foot for 85884 ... ..
85884	557	Presser Foot, complete, Nos. 219d, 85391 and 85883, for 85886 ... ..
85885	557	Throat Plate for 85882, for 85886 ... ..
85886	557	Crimping Set, complete, Nos. 85882, 85884 and 85885, for 31K15 Machine ... ..
85896	201	Felling Foot, $\frac{3}{16}$ " fell, for 31K15 Machine ... ..
85897	562	Felling Foot (steel), $\frac{3}{16}$ " fell, for 31K15 Machine ... ..



No.	Plate	
85955	562	Gathering Foot for 31K15 Machine ...
86005	88	Hemmer ( $\frac{3}{16}$ " to $\frac{7}{8}$ ", in grades of $\frac{1}{16}$ ") for 31K15 Machine ... ..
86008	88	Hemmer ( $1$ " to $1\frac{1}{4}$ ", in grades of $\frac{1}{8}$ ") for 31K15 Machine ... ..
86010	88	Hemmer ( $1\frac{3}{8}$ " and $1\frac{1}{2}$ ") for 31K15 Machine ...
86025	562	Hemmer (foot), $\frac{1}{16}$ " to $\frac{3}{32}$ ", in grades of $\frac{1}{32}$ ", for 31K15 Machine ... ..
86041	565	Quilter Clamp, with 207d, for 86043 ...
86042	565	Quilter Rod for 86043 ... ..
86043	565	Quilter, complete, Nos. 86041 and 86042, for 31K15 Machine ... ..
86061	—	Ruffler Driving Lever for 86069 ... ..
86062	—	Ruffler Driving Lever Quadrant for 86069 ...
86063	—	Ruffler Ruffling Blade for 86069 ... ..
86064	—	Ruffler Ruffling Blade Lever for 86069 ...
86065	—	Ruffler Presser Foot for 86067 ... ..
86066	—	Ruffler Presser Foot Base Plate for 86069 ...
86067	—	Ruffler Presser Foot 86065, with 86167, for 86069 ... ..
86068	—	Ruffler Shirring Plate for 86069 ... ..
86069	564	Ruffler (for power), complete, Nos. SS169f, SS170f, 560b, 1603h, 85325, 86061 to 86064, 86066, 86067, 86168, two each SS132d, 240d, 1550j and 9521, for 31K15 Machine ... ..
86084	—	Folder for 86455 ... ..
86085	—	Folder Rod for 86455 ... ..
86097	—	Tuck Folding Attachment Base (bottom) for 86111 ... ..
86098	—	Tuck Folding Attachment Base Bracket for 86111 ... ..
86099	—	Tuck Folding Attachment Base (top) for 86111 ... ..
86100	—	Tuck Folding Attachment Base Indicator for 86111 ... ..
86100	—	Tuck Folding Attachment Tuck Spacing Slide Indicator for 86111 ... ..
86101	—	Tuck Folding Attachment Tuck Folding Plate for 86111 ... ..
86102	—	Tuck Folding Attachment Tuck Folding Plate Holder Bar for 86111 ... ..
86104	—	Tuck Folding Attachment Tuck Spacing Guide for 86111 ... ..
86105	—	Tuck Folding Attachment Tuck Spacing Guide Spring for 86111 ... ..

No.	Plate			
86106	—	Tuck Folding Attachment	Tuck Spacing	
		Guide Lifter for 86111	... ..	
86107	—	Tuck Folding Attachment	Tuck Spacing	
		Guide Lifter Bracket for 86111	... ..	
86108	—	Tuck Folding Attachment	Tuck Spacing	
		Slide for 86111	... ..	
86109	—	Tuck Folding Attachment	Tuck Spacing	
		Slide Base for 86111	... ..	
86111	563	Tuck Folding Attachment only, complete, Nos. SS50b, 104b, 152b, SS178b, SS179b, SS180b, 671b, 1576b, 86097 to 86099, 86101, 86102, 86104 to 86109, 86174, two each NN57b, 162b, 233b, 6312, 86100, three 240b and four 175b, for 86120	... ..	
86119	564	Tuck Folding Attachment Presser Foot for 86120	... ..	
86120	564	Tuck Folding Attachment (adjustable), complete, Nos. 85864, 85866, 86111 and 86119, for 31K15 Machine	... ..	
86167	—	Ruffler Presser Foot Extension for 86067	... ..	
86168	—	Ruffler Presser Foot Top Guide for 86069	... ..	
86174	—	Tuck Folding Attachment	Tuck Folding Plate Tension Spring for 86111	... ..
86182	562	Cording Foot (grooved on right side) for 31K15 Machine	... ..	
86188	565	Presser Foot (narrow) for Narrow Tucking, for 31K15 Machine	... ..	
86193	2509	Gathering Foot (slotted) for 31K15 Machine	... ..	
†86251	799	Cord Covering Attachment Cord Guide and Strip Folder for 86260	... ..	
86252	799	Cord Covering Attachment Cord Wire for 86260	... ..	
†86253	799	Cord Covering Attachment Feed Dog for 86260	... ..	
86254	799	Cord Covering Attachment Presser Foot for 86260	... ..	
86255	799	Cord Covering Attachment Tension Guide (adjustable) for 86258	... ..	
86256	799	Cord Covering Attachment Tension Base Plate for 86258	... ..	
86257	799	Cord Covering Attachment Tension Base Plate Pin for 86258	... ..	
86258	799	Cord Covering Attachment Tension, com- plete, Nos. 759b, 86255, 86256 and four 86257, for 86260	... ..	
†86259	799	Cord Covering Attachment Throat Plate, with SS338d, for 86260	... ..	



No.	Plate	
†86260	799	Cord Covering Attachment, complete, Nos. 237f, 86251 to 86254, 86258, 86259 and 201566, for 31K15 Machine ... ..
86450	1251	Binder Feed Dog for 86452 ... ..
86451	1251	Binder Throat Plate for 86450, for 86452 ... ..
86452	—	Binder for Hosiery Stay Work, etc., complete, Nos. 85320, 85321, 85690, 86450, 86451, two each SS50d and 85325, for 31K15 Machine ... ..
86455	—	Folder 86084, with 86085, for 86457 ... ..
86456	1251	Folder Presser Foot for 86457 ... ..
86457	1251	Folder, $\frac{5}{16}$ " , for Pinafores, complete, Nos. 207b, 86455 and 86456, for 31K15 Machine ... ..
86465	1251	Hemmer (foot), $\frac{1}{16}$ " , for Lace Insertion, for 31K15 Machine ... ..
86466	1251	Hemmer (foot), $\frac{1}{16}$ " and $\frac{1}{4}$ " , for Silk, for 31K15 Machine ... ..
86469	1251	Hemmer (foot), $\frac{1}{8}$ " , for Umbrellas, for 31K15 Machine ... ..
86475	1251	Presser Foot for General Work, for 31K15 Machine ... ..
86537	—	Hemmer (foot, flat sole), $\frac{1}{16}$ " , for 31K15 Machine ... ..
86538	—	Hemmer (foot, flat sole), $\frac{3}{32}$ " , for 31K15 Machine ... ..
86539	1931	Hemmer (foot, flat sole), $\frac{1}{8}$ " , for 31K15 Machine ... ..
		† <i>In ordering state size of cord.</i>
86540	—	Hemmer (foot, flat sole), $\frac{3}{32}$ " , for 31K15 Machine ... ..
86541	—	Hemmer (foot, flat sole), $\frac{3}{16}$ " , for 31K15 Machine ... ..
86542	—	Hemmer (foot, flat sole), $\frac{7}{32}$ " , for 31K15 Machine ... ..
86543	—	Hemmer (foot, flat sole), $\frac{1}{4}$ " , for 31K15 Machine ... ..
86544	—	Hemmer (foot, flat sole, with groove), $\frac{1}{16}$ " , for 31K15 Machine ... ..
86545	—	Hemmer (foot, flat sole, with groove), $\frac{3}{32}$ " , for 31K15 Machine ... ..
86546	1931	Hemmer (foot, flat sole, with groove), $\frac{1}{8}$ " , for 31K15 Machine ... ..
86547	—	Hemmer (foot, flat sole, with groove), $\frac{5}{32}$ " , for 31K15 Machine ... ..
86548	—	Hemmer (foot, flat sole, with groove), $\frac{3}{16}$ " , for 31K15 Machine ... ..



No.	Plate	
86549	—	Hemmer (foot, flat sole, with groove), $\frac{7}{32}$ ", for 31K15 Machine ... ..
86550	—	Hemmer (foot, flat sole, with groove), $\frac{1}{4}$ ", for 31K15 Machine ... ..
93390	2509	Feed Wheel Driver Block (inside) for 93824
93391	2509	Feed Wheel Driver Block (outside) for 93824
93803	—	Bobbin Winder Frame, complete, Nos. 333r, 5960, 5961, 5963, 15077 and 43981, for 93804 ... ..
93804	—	Bobbin Winder (friction), complete, Nos. 32d, 180d, 12168, 12170 and 93803, for Loose Balance Wheels 2135 and 2862 ...
93811	—	Needle Bar Lubricating Wick for 31K15 and 31K32 Machines ... ..
*93820	—	Bed for 31K48 Machine ... ..
93821	537	Feed Rock Shaft for 93822 ... ..
93822	—	Feed Rock Shaft, complete, Nos. 29633 and 93821, for 31K48 Machine ... ..
93823	2509	Feed Wheel Driver with 2266, for 93824 ...
93824	—	Feed Wheel Driver, complete, Nos. 243c, SS339c, SS340c, 93390, 93391 and 93823, for 31K48 Machine ... ..
93825	537	Feed Wheel Frame with 453c, for 93829 ...
93826	2509	Feed Wheel Frame Adjuster for 93829 ...
93827	2509	Feed Wheel Frame Adjuster Link, for 93829
93828	2509	Feed Wheel Friction Spring for 93829 ...
93829	—	Feed Wheel Frame, complete, Nos. SS79, 151c, 240d, 999c, 2254 to 2256, 2258, 3114, 93825 to 93828 and two 183c, for 31K48 Machine ... ..

NUMERICAL LIST OF PARTS

165

No.	Plate	
97502	1818	Knee Lifter Rock Shaft Bracket for 84789 ...
120378	1234	Screw Driver (Shuttle Tension) (Accessories)
125424	—	Face Plate Thread Guard (upper) Rivet for 139615 ... ..
139603	2369	Feed Regulator and Reverser Hinge Screw Friction Washer for 31K32 Machine ...
139615	—	Face Plate Thread Guard (upper) 45874, with 125424, for 20058 ... ..
139622	—	Drip Pan with four $\frac{3}{4}$ " wire nails, for all machines except 31K45 and 31K48 ( <i>not suitable for machine with S.D.A.</i> )
140139e	—	Feed Regulator and Reverser Hinge Screw for 31K32 Machine ... ..

No.	Plate	
201566	799	Cord Covering Attachment Throat Plate Screw Stud Thumb Nut for 86260 ...





